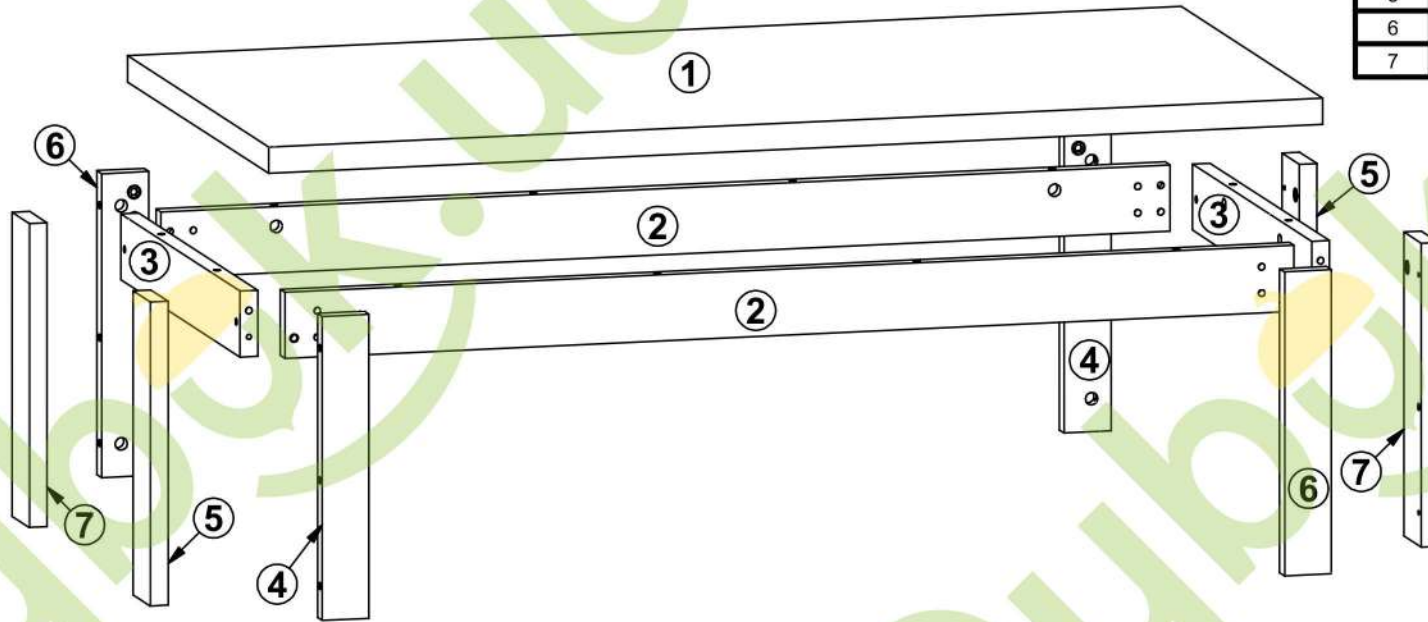
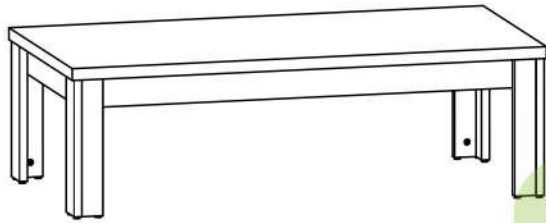
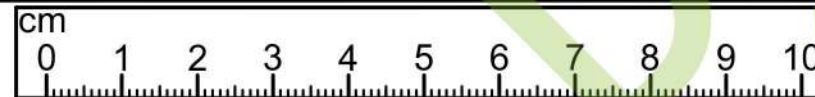
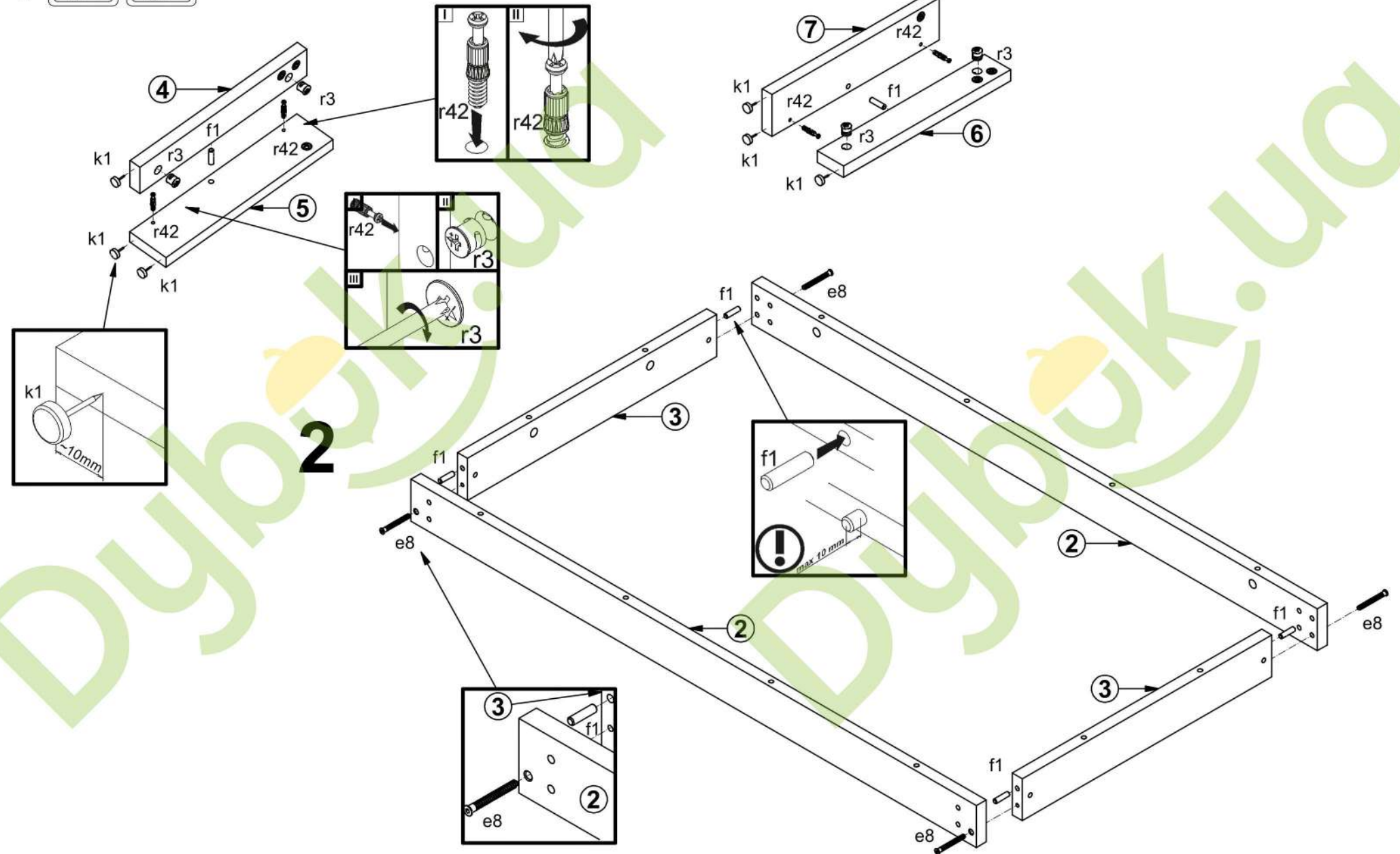


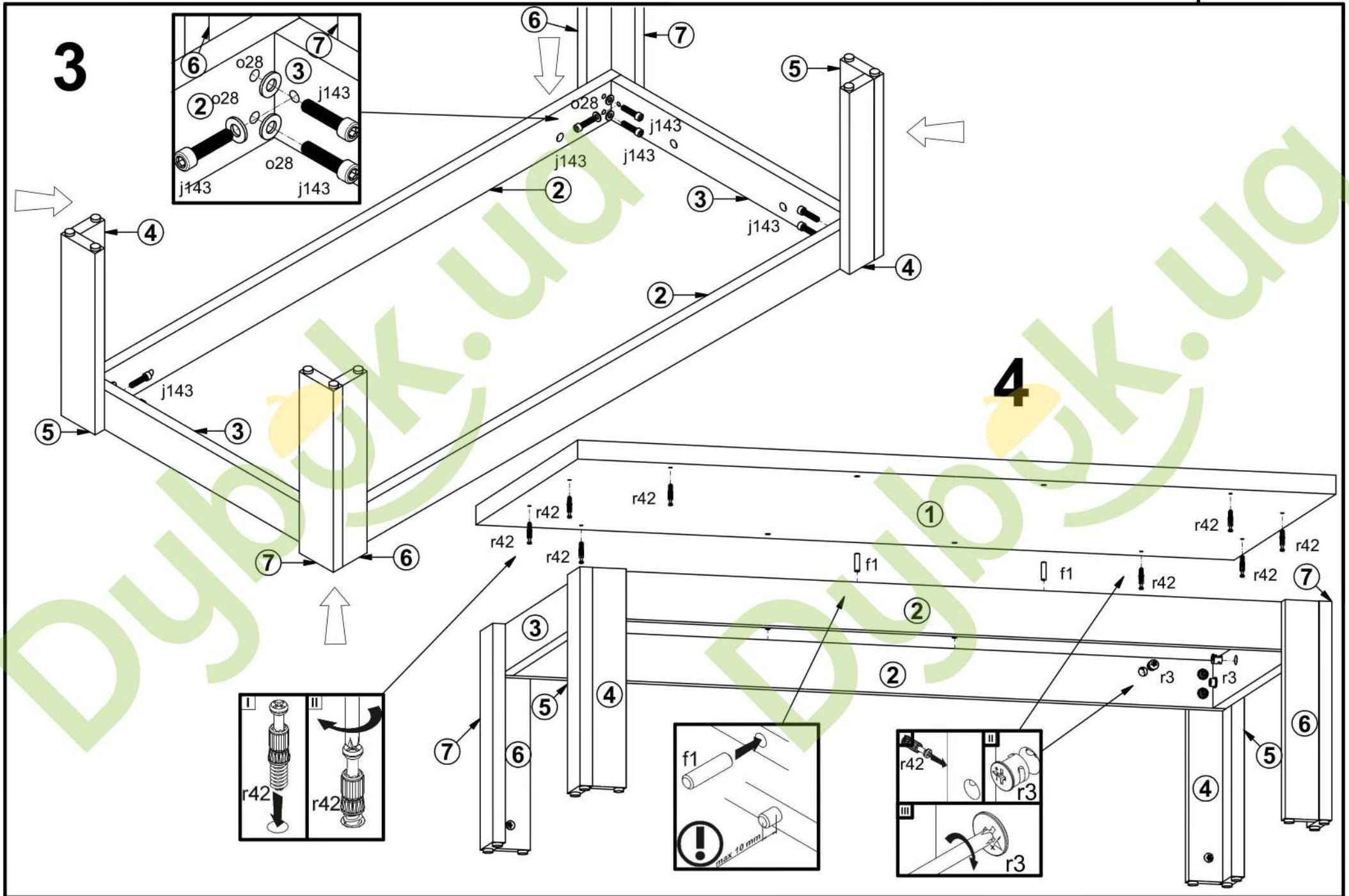
60 min



A	B	C (mm)	D	
1	S214-209	1300	650	1/1
2	S214-406	1245	80	1/1
3	S214-407	549	80	1/1
4	S214-5528	368	58	1/1
5	S214-5529	368	80	1/1
6	S214-5530	368	58	1/1
7	S214-5531	368	80	1/1







5

