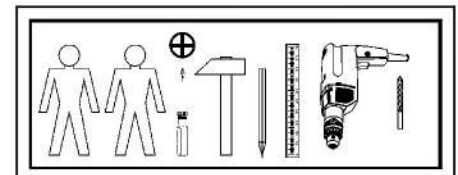
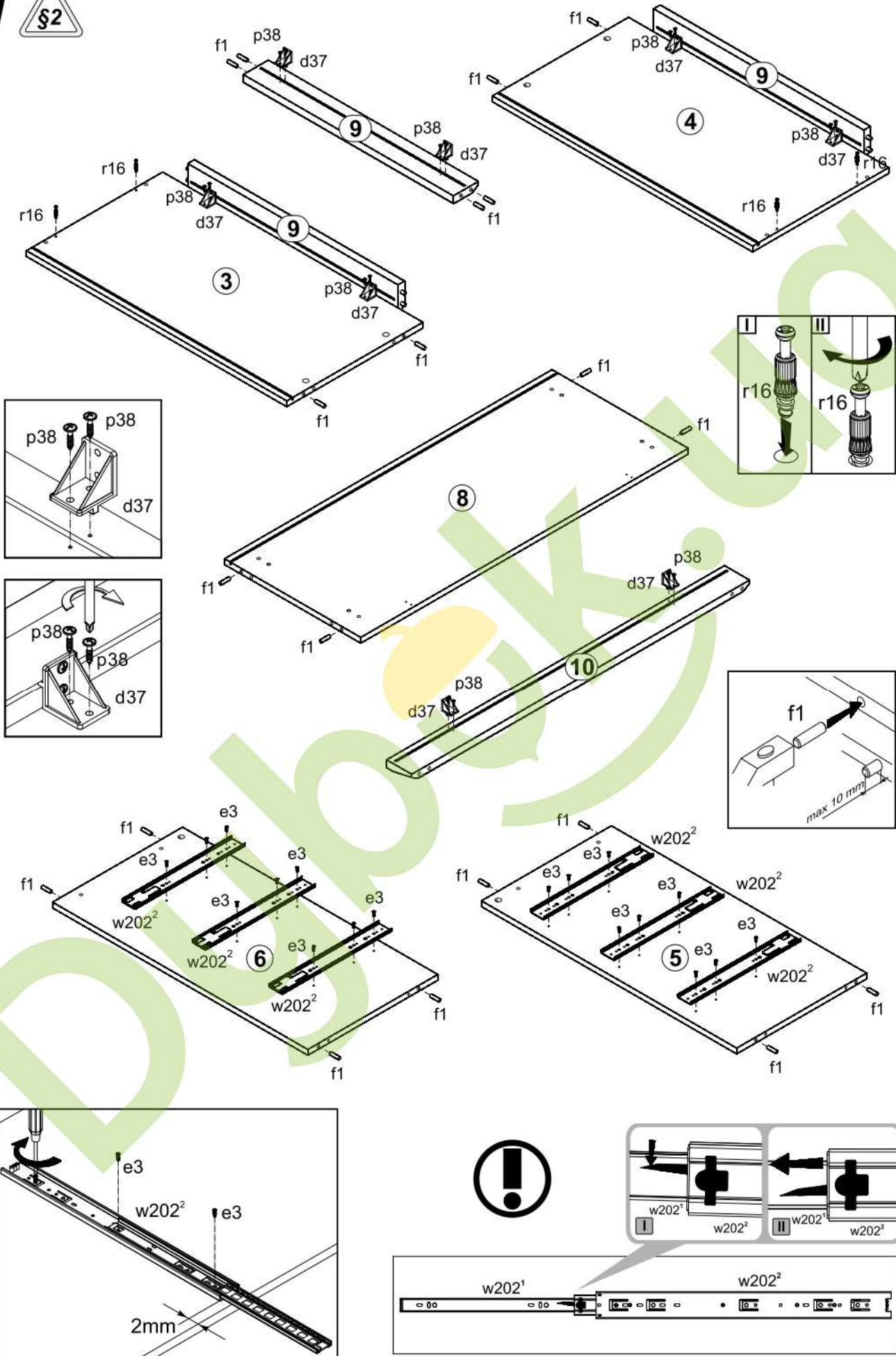


A	B	C	D	
1	S359-0003-01	911	173	4/5
2	S359-0036-01	911	241	4/5
3	S359-1001	831	435	1/5
4	S359-1002	831	435	1/5
5	S359-1003	815	415	1/5
6	S359-1004	815	415	1/5
7	S359-2001	1100	468	2/5
8	S359-3023	1046	435	2/5
9	S359-5001	671	80	3/5
10	S359-5008	1079	80	3/5
11	S359-5009	1079	80	3/5
12	S359-903	399	878	2/5
13	S359-9501	828	528	2/5
14	S359-9502	828	528	2/5
15	LH-814	814	14	2/5
16	S359-554	400	140	1/5
17	S359-555	400	140	1/5
18	S359-558	863	140	1/5
19	S359-559	400	180	1/5
20	S359-560	400	180	1/5
21	S359-566	863	180	1/5

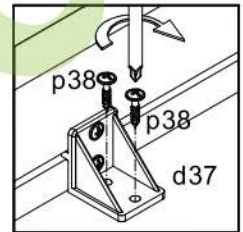
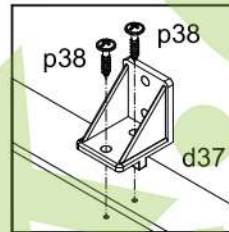
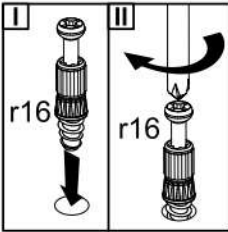
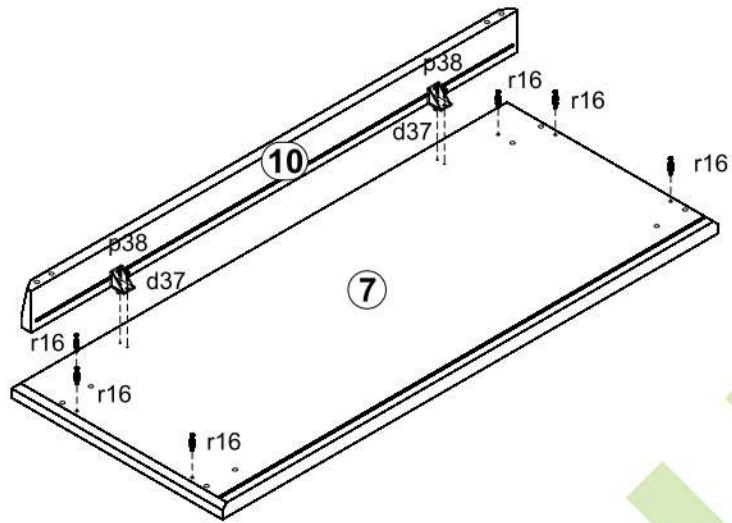


3x M4 c415	8x d37	4x φ7x50 mm e1	18x φ6x13 mm e3	12x φ5x50 mm e32	12x φ5x18 mm e58	24x φ8x30 mm f1	3x M4x22 mm j30	4x k125
14x l1	14x l2	1x n2611	6x φ3,5x16 mm p25	33x φ3,5x16 mm p38	18x φ3,5x12 mm p140	22x φ15x12 mm #16 r1	22x 20-9 r16	14x s2
3x 383 mm t14	6x 400 mm w202 ¹	6x 400 mm w202 ²	1x z1				1x	

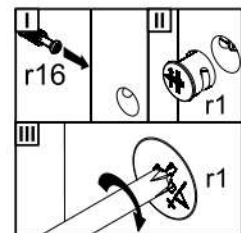
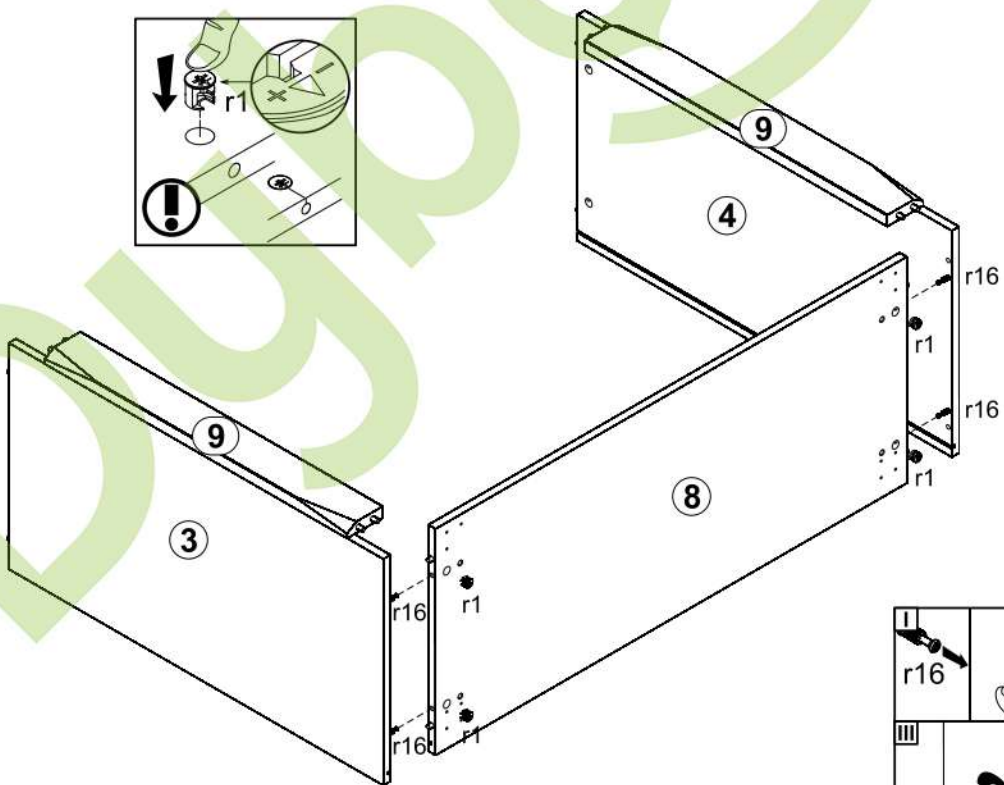
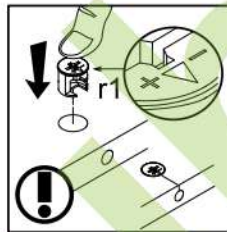
1 §2



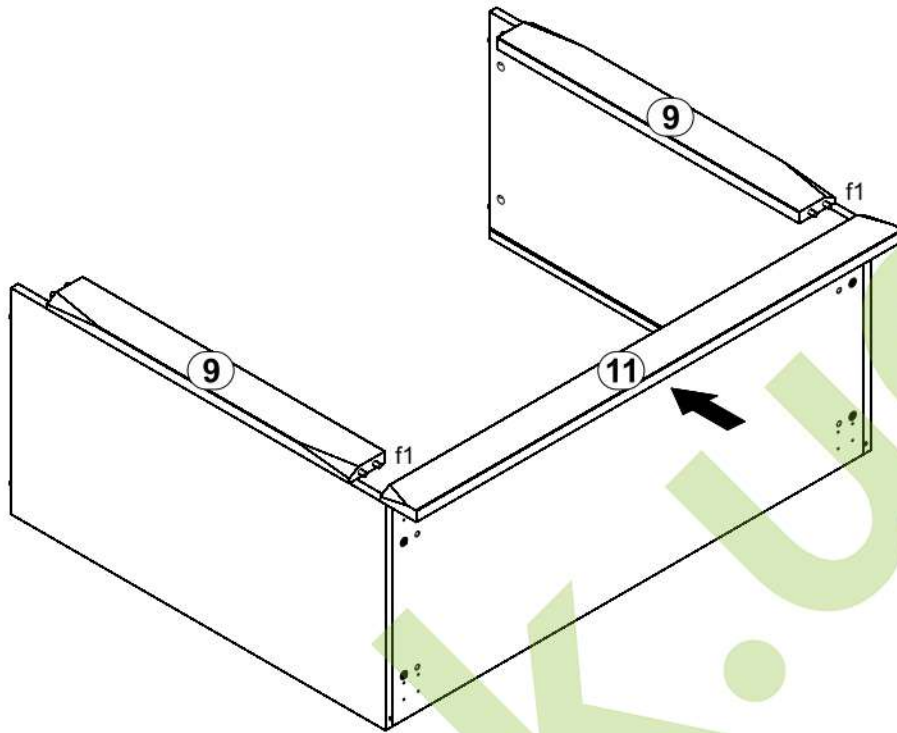
2



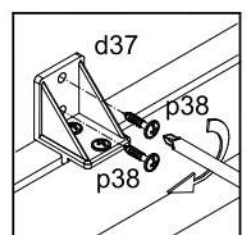
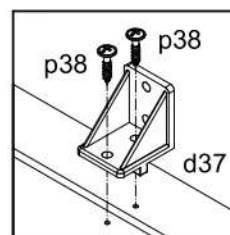
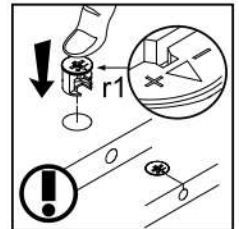
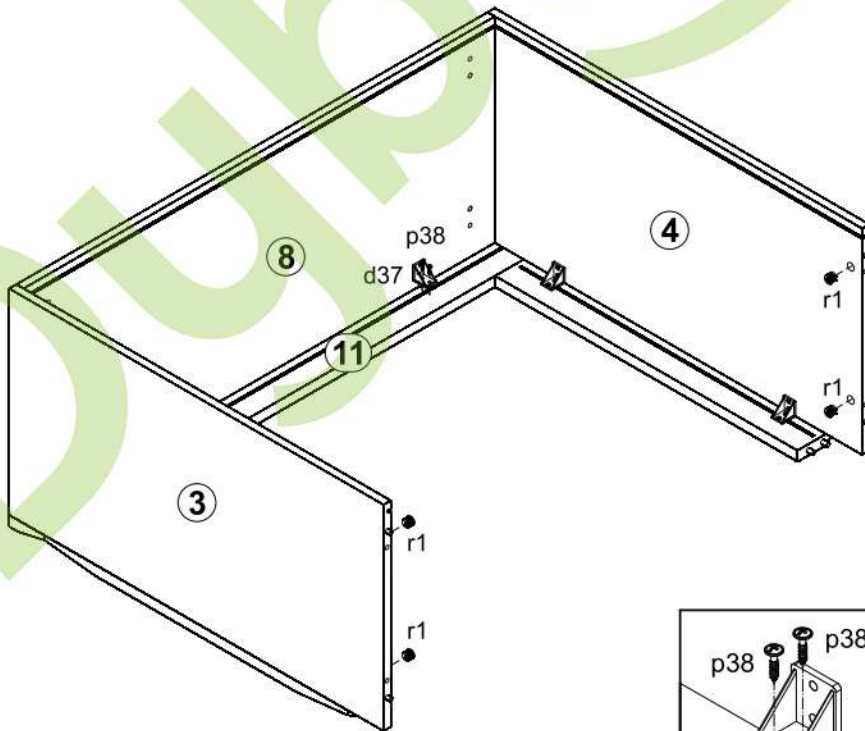
3



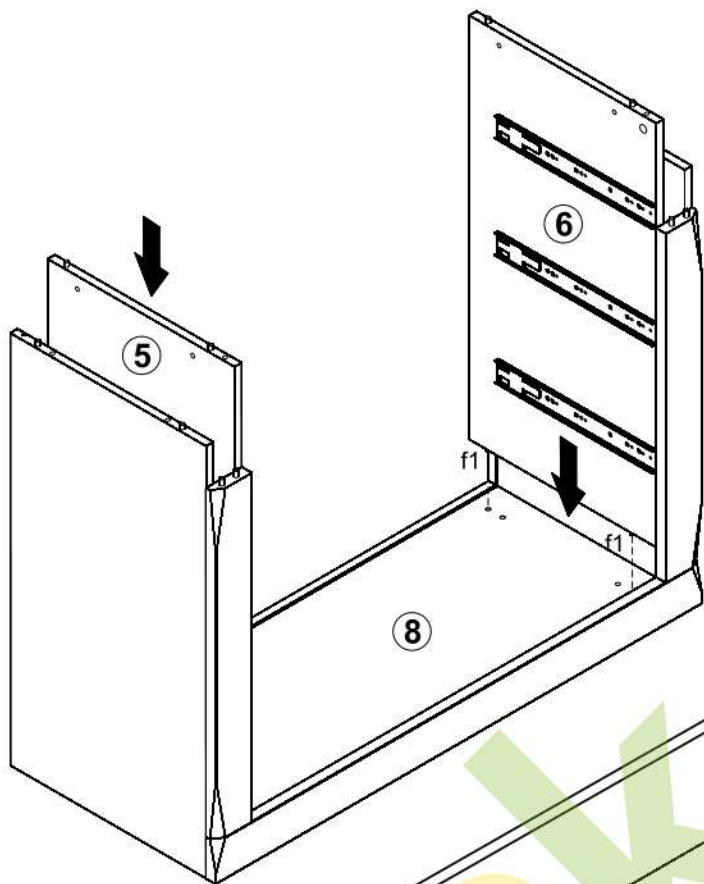
4



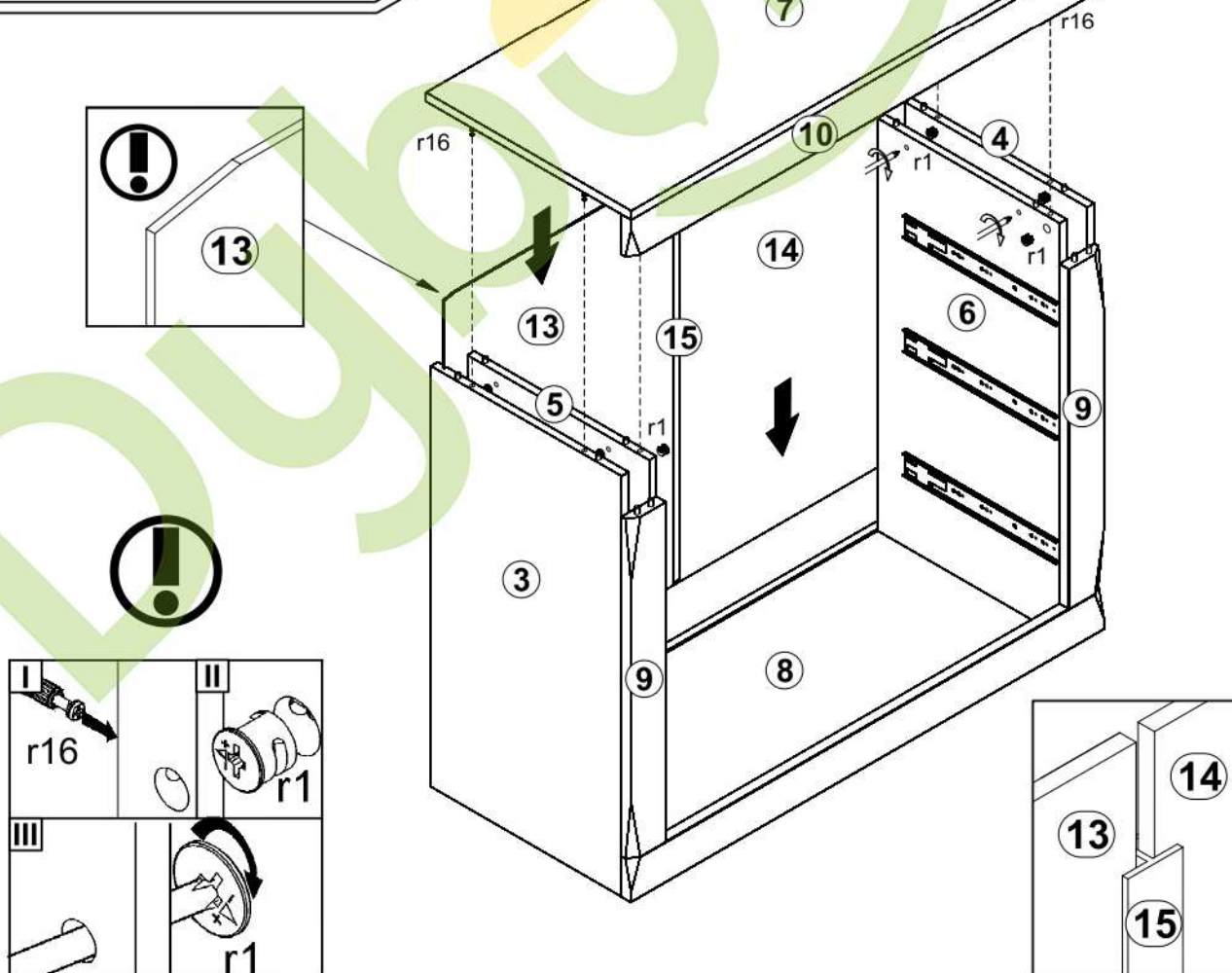
5



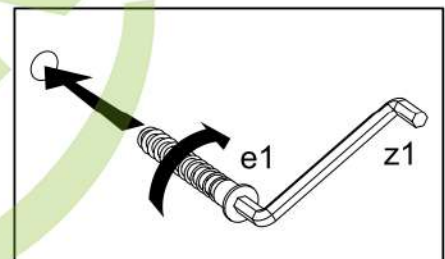
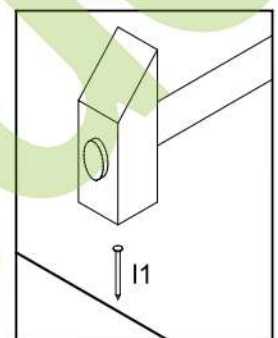
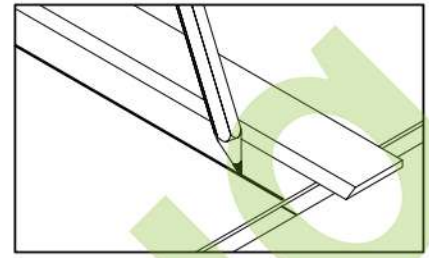
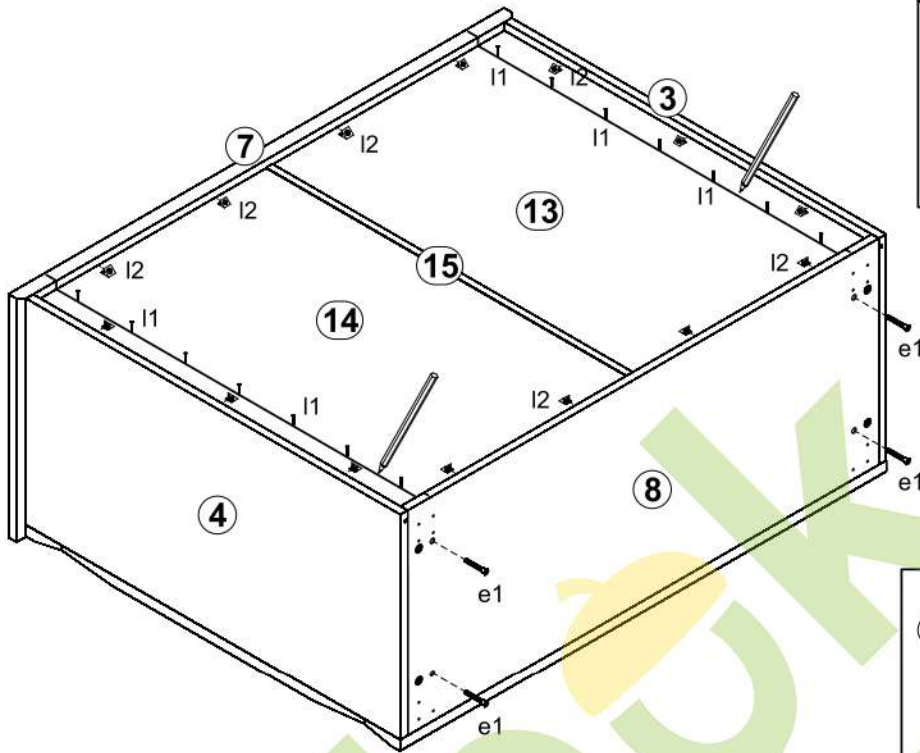
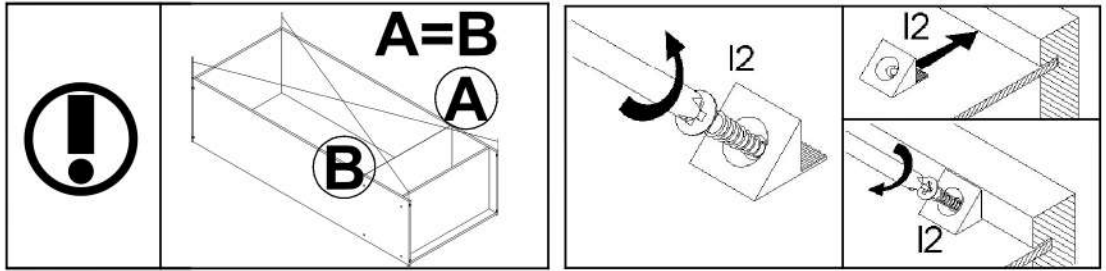
6



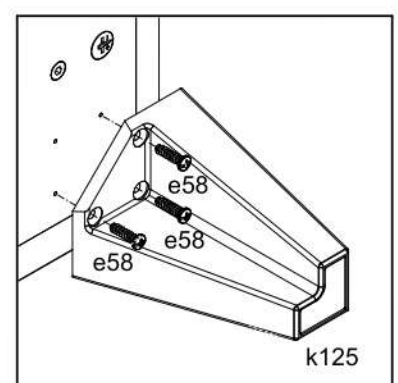
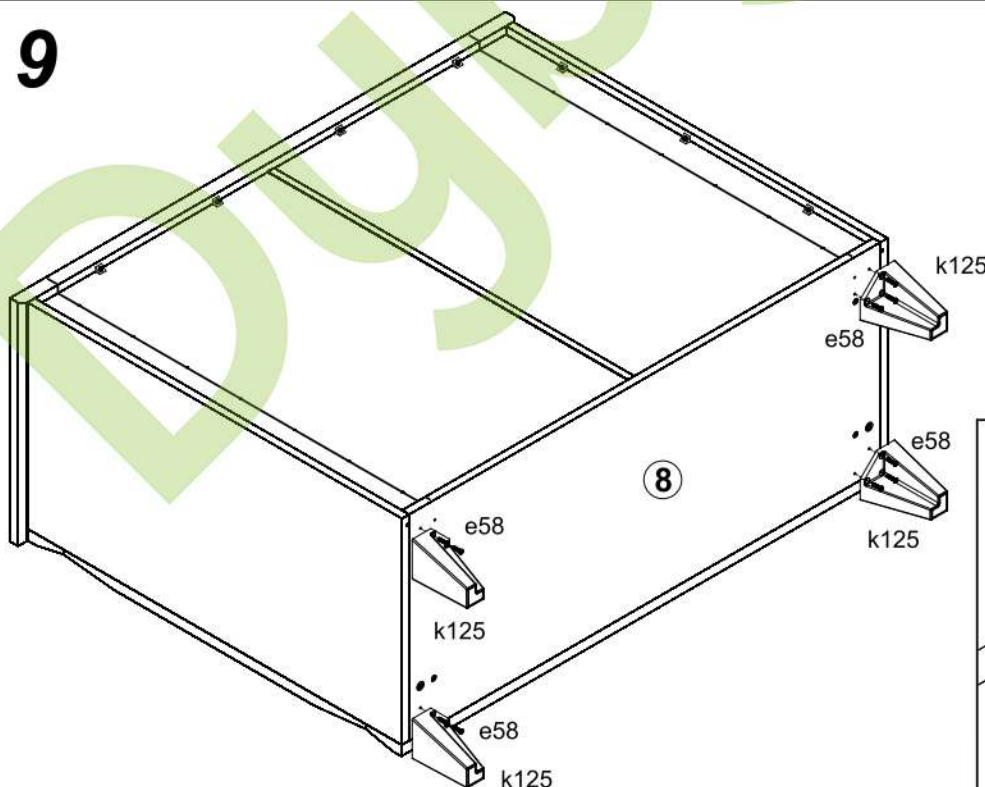
7



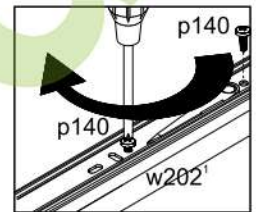
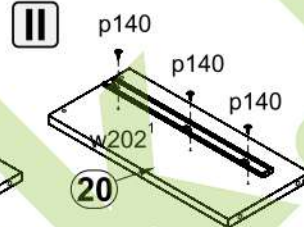
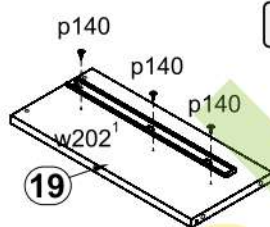
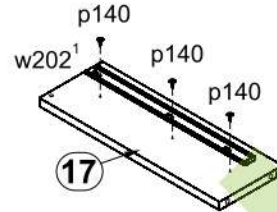
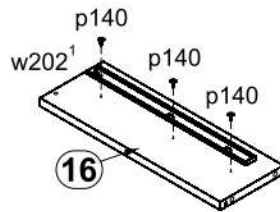
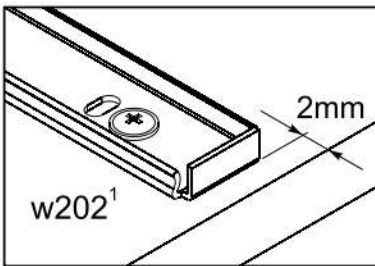
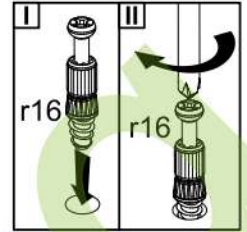
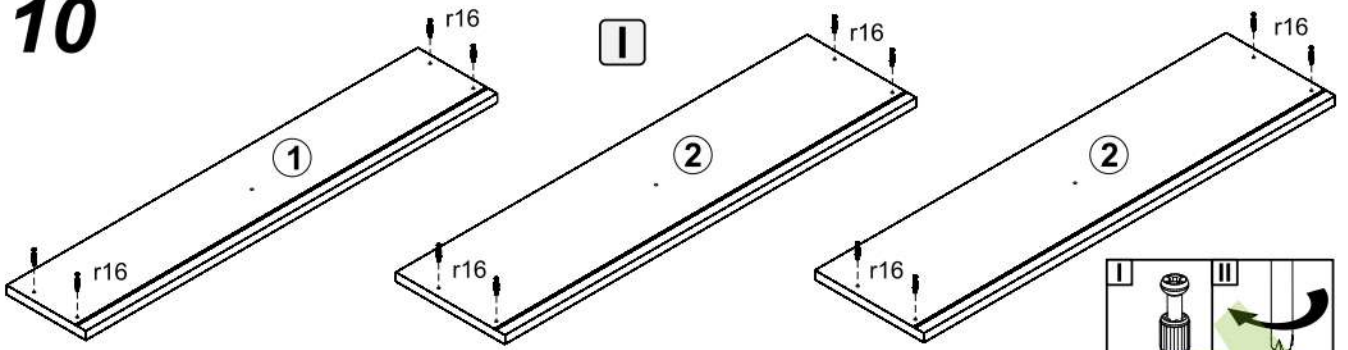
8



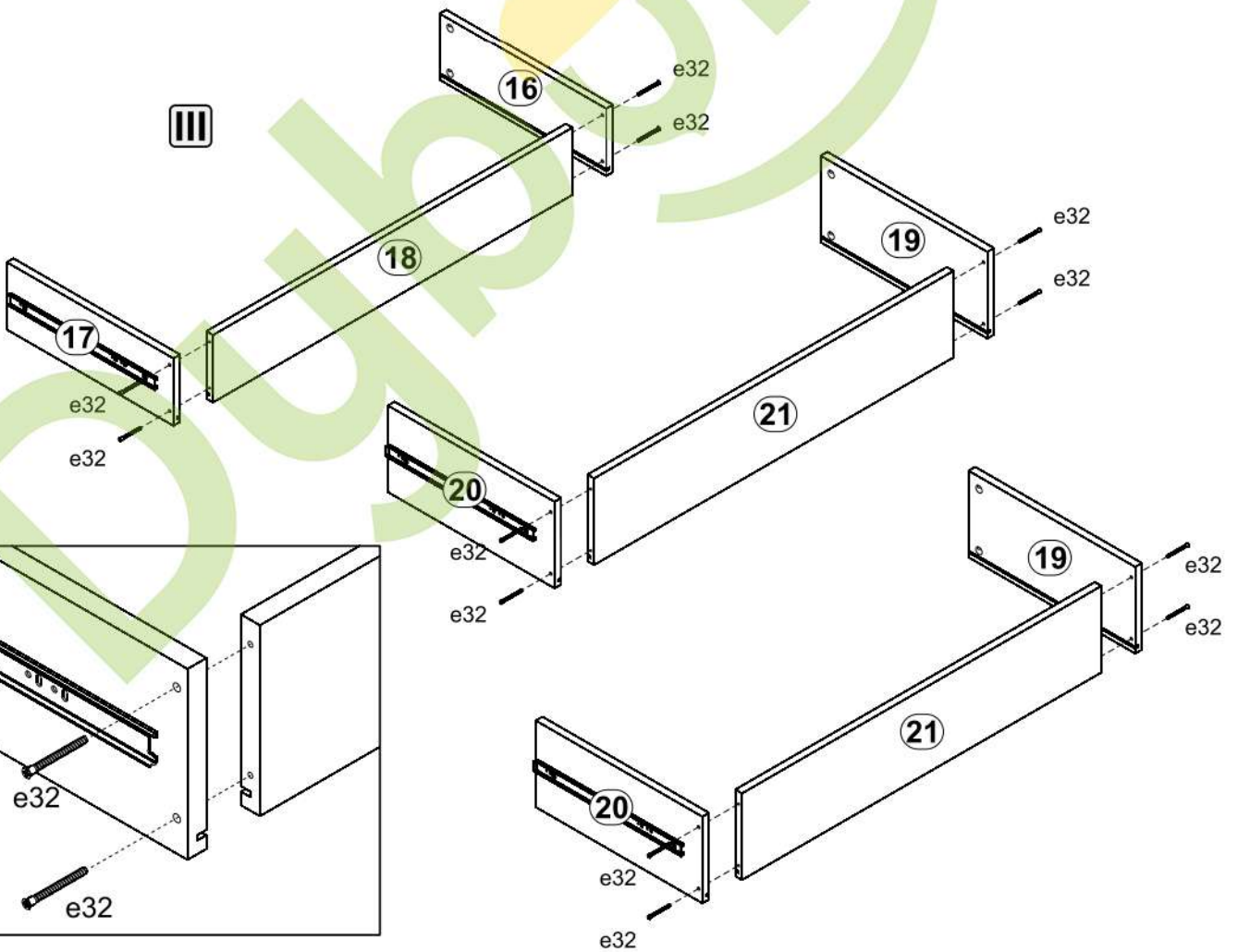
9



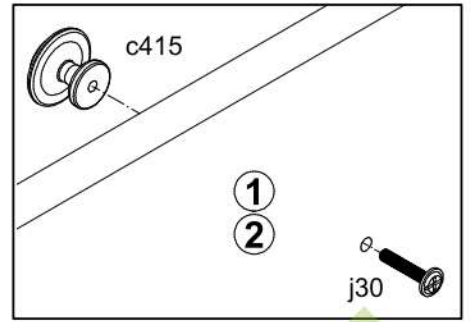
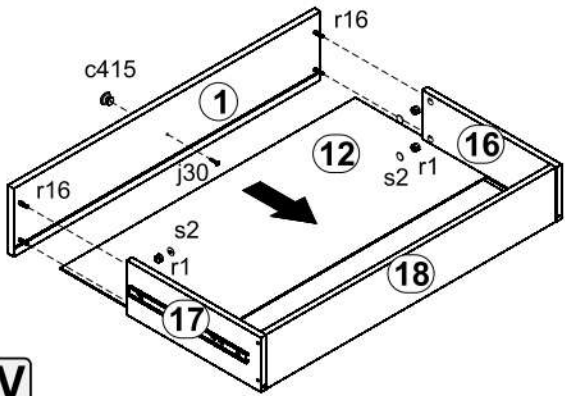
10



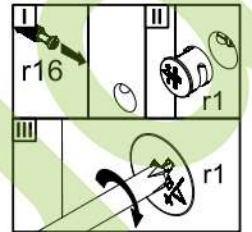
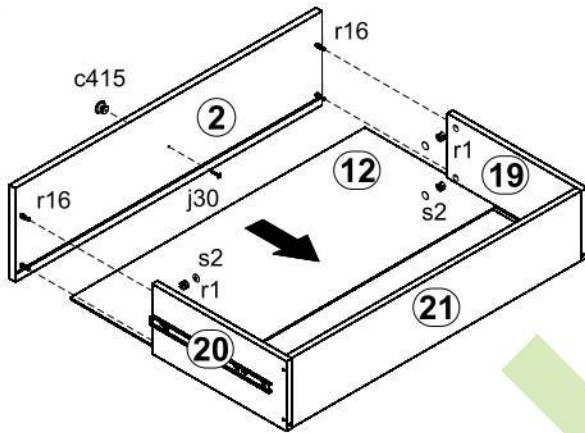
III



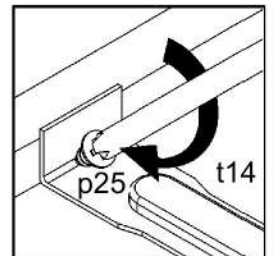
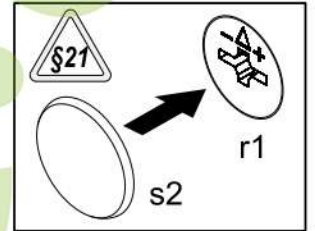
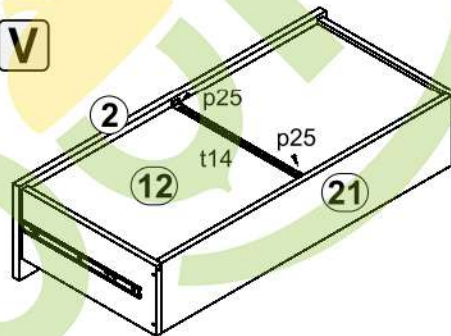
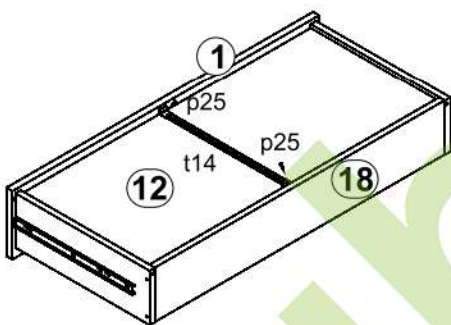
11



IV



V



12

