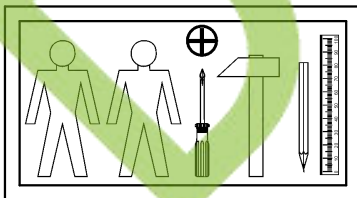
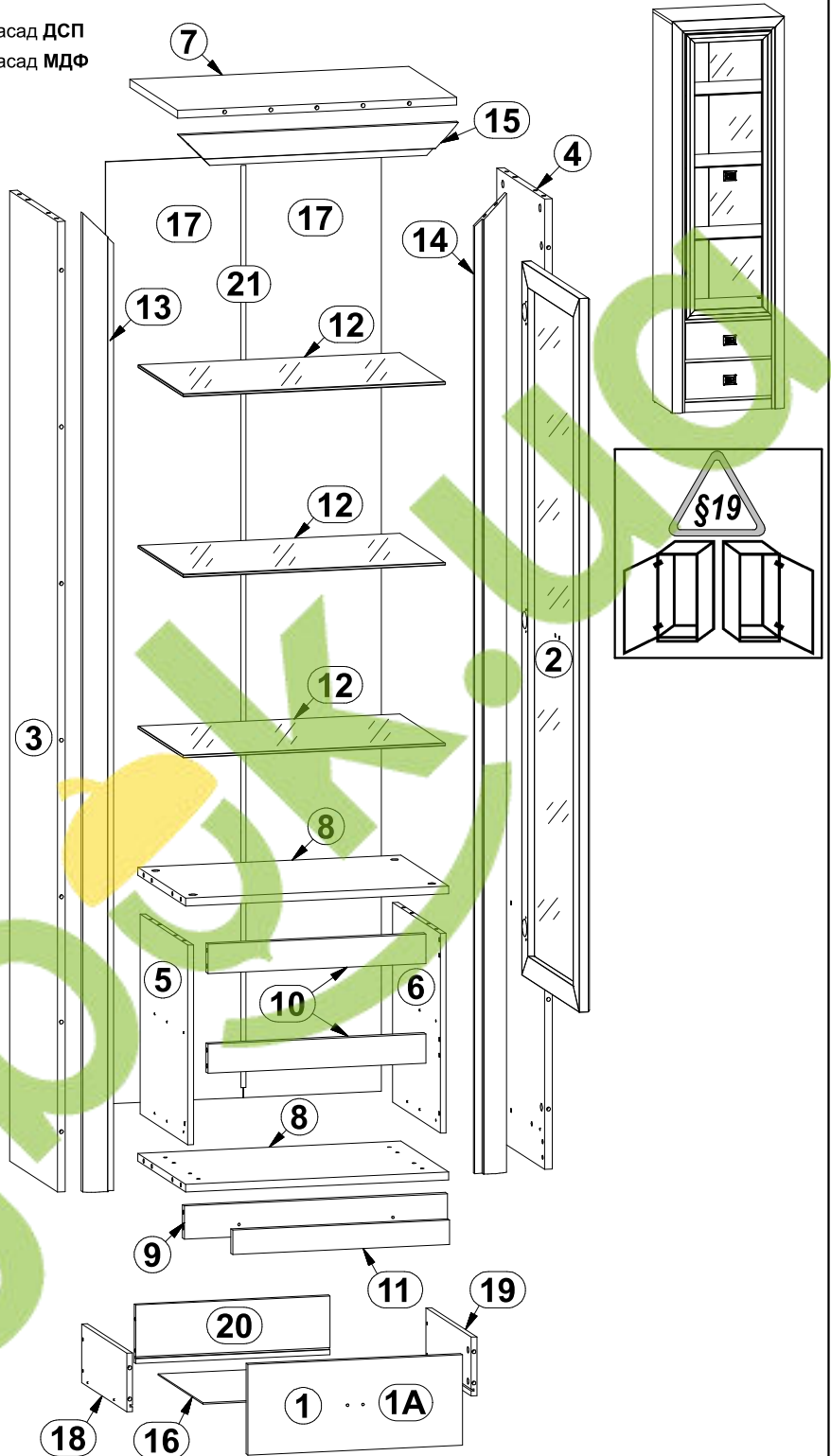


КОЕН

Вітрина / Витрина REG1W2S

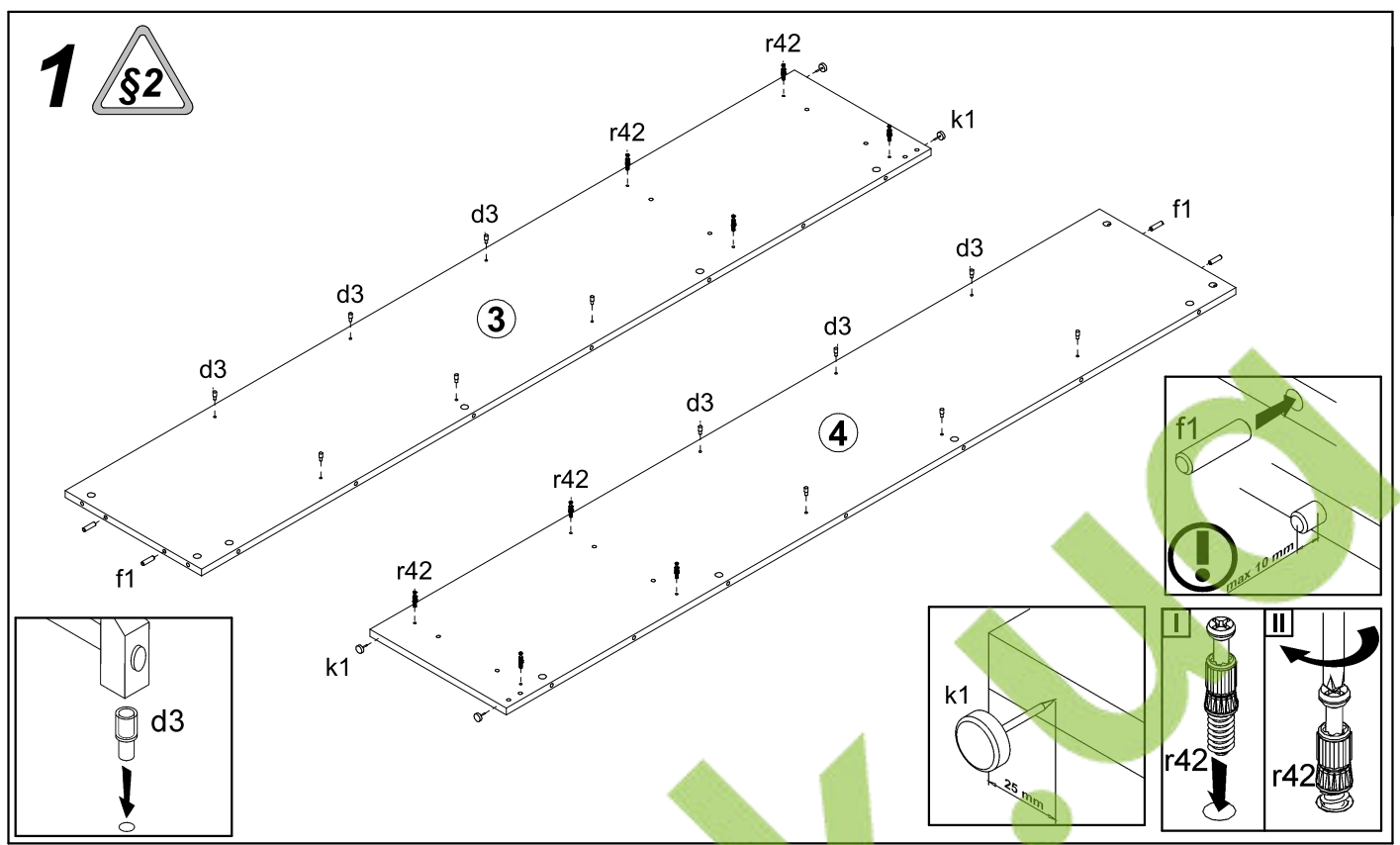
A	B	C	D	
1	S136-003	446	185	4/5
1A	S136-003A	446	185	4/5
2	S136-007	1458	446	5/5
3	S136-113	1983	371	1/5
4	S136-114	1983	371	1/5
5	S136-115	408	371	1/5
6	S136-116	408	371	1/5
7	S136-204	580	371	1/5
8	S136-302	547	371	1/5
9	S136-404	547	68	1/5
10	S136-405	453	60	1/5
11	S136-406	451	50	1/5
12	S136-501	545	350	2/5
13	S136-571	2000	65	3/5
14	S136-572	2000	65	3/5
15	S136-576	581	65	3/5
16	S136-904	415	348	1/5
17	S136-908	1925	287	1/5
18	ZS2-511	350	120	1/5
19	ZS2-512	350	120	1/5
20	ZS2-5557	404	120	1/5
21	lh-1898	1898	14	1/5

→ Фасад ДСП
→ Фасад МДФ

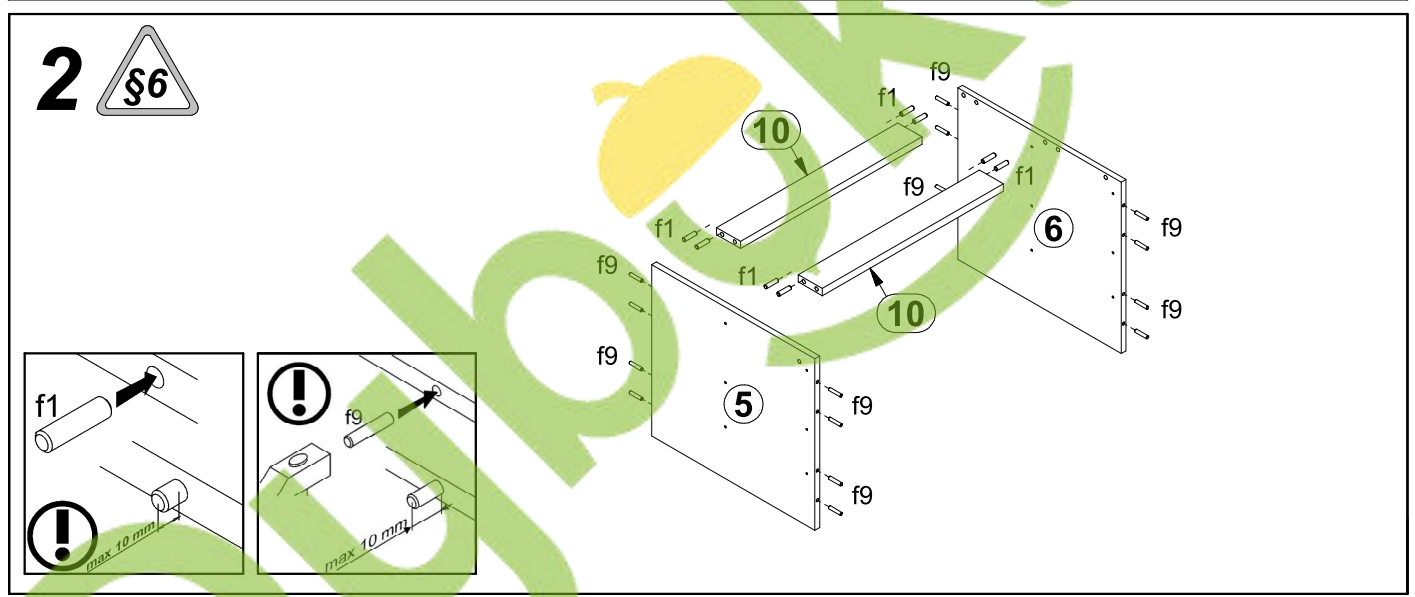


3x a99	3x b43	3x c317	12x d3 φ5x17 mm	8x e32 φ5x50 mm	6x e2 φ6,3x13 mm	12x e3 φ6x13 mm	34x f1 φ8x30 mm	8x p54 φ3x12 mm
16x f9 φ6x30 mm	2x j3 M4x12 mm	4x j30 M4x22 mm	4x k1	60x l1	2x o26 φ4,5/φ8x0,5 mm	2x o27 φ6,5/φ10x5,2 mm	6x p51 φ3,5x15 mm	2x p94 φ4x28 mm
27x r1 φ15x12mm #16	2x r10	8x r15 φ12x10,5mm #12	31x r42	8x s2 ø16	2x w45\CL 350 mm	2x w45\CR 350 mm	2x w45\DL 350 mm	2x w45\DR 350 mm
1x n26\1	1x p38 φ3,5x16 mm							

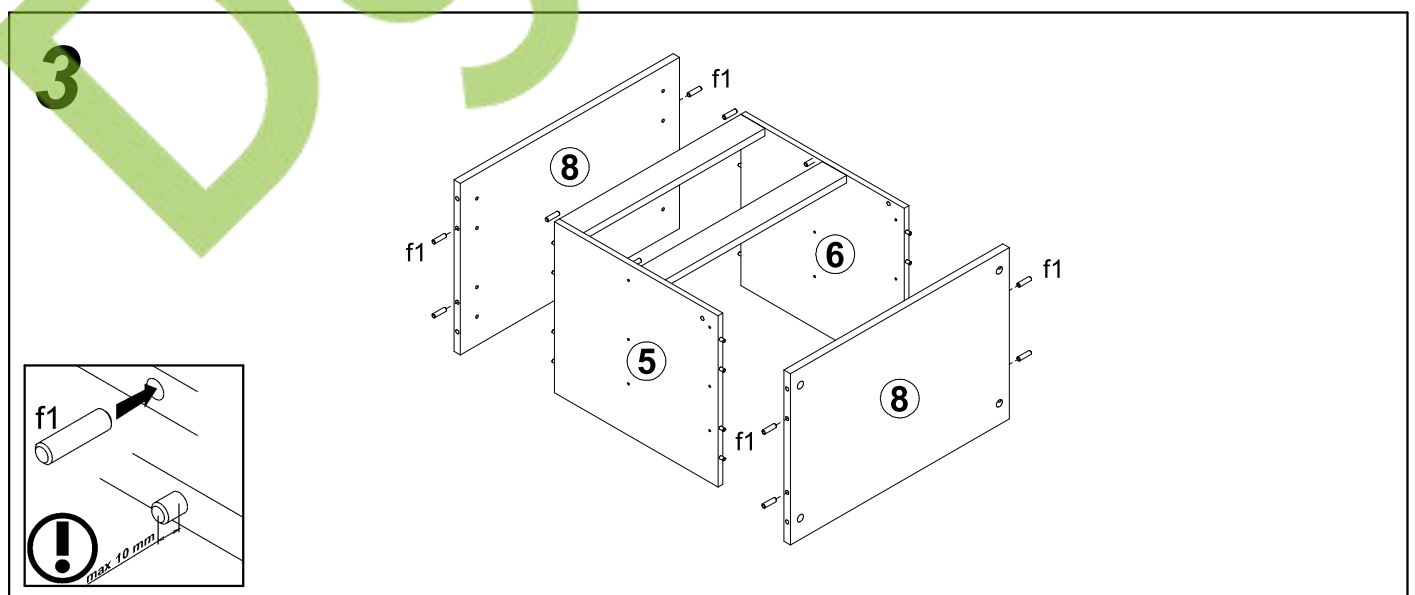
1



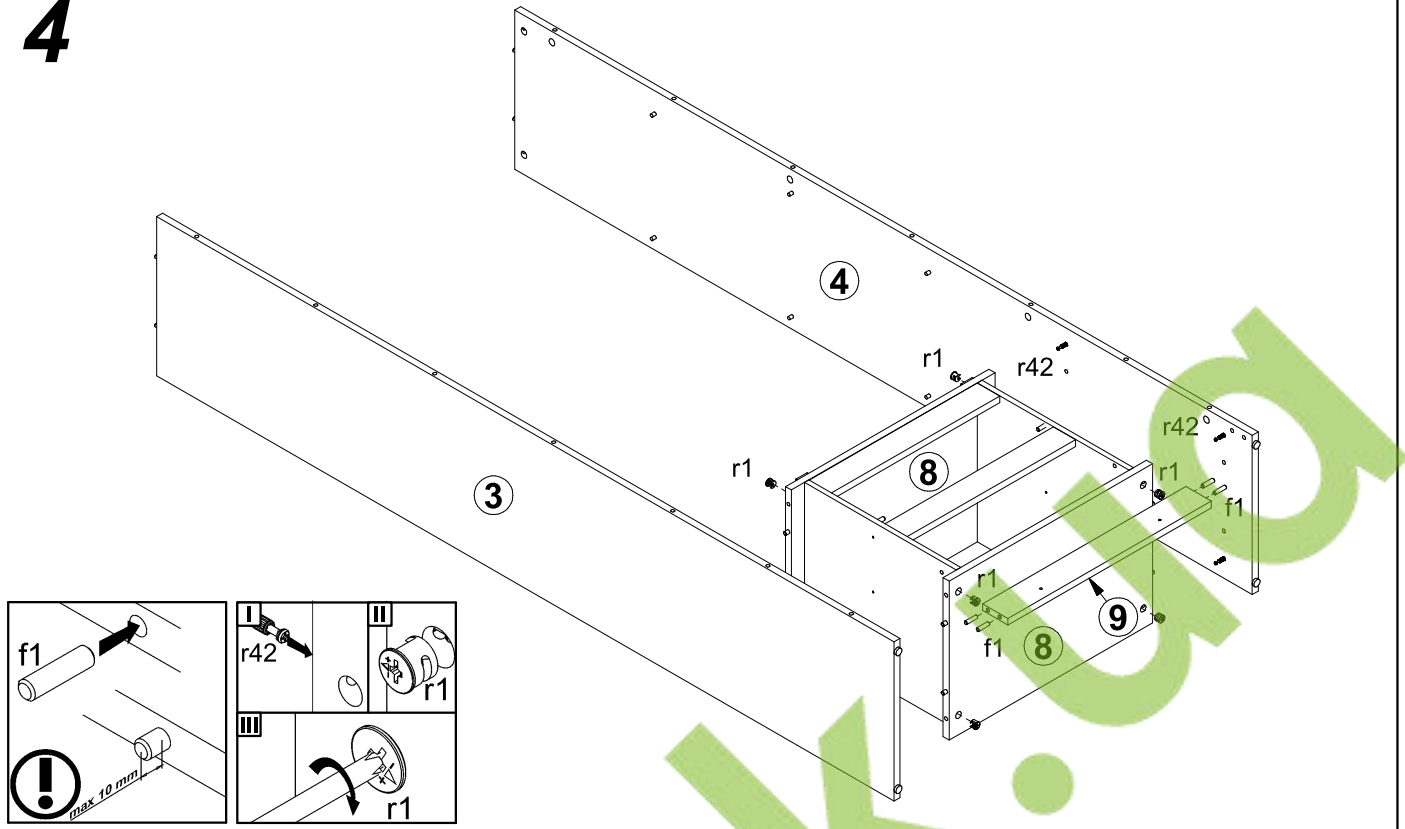
2



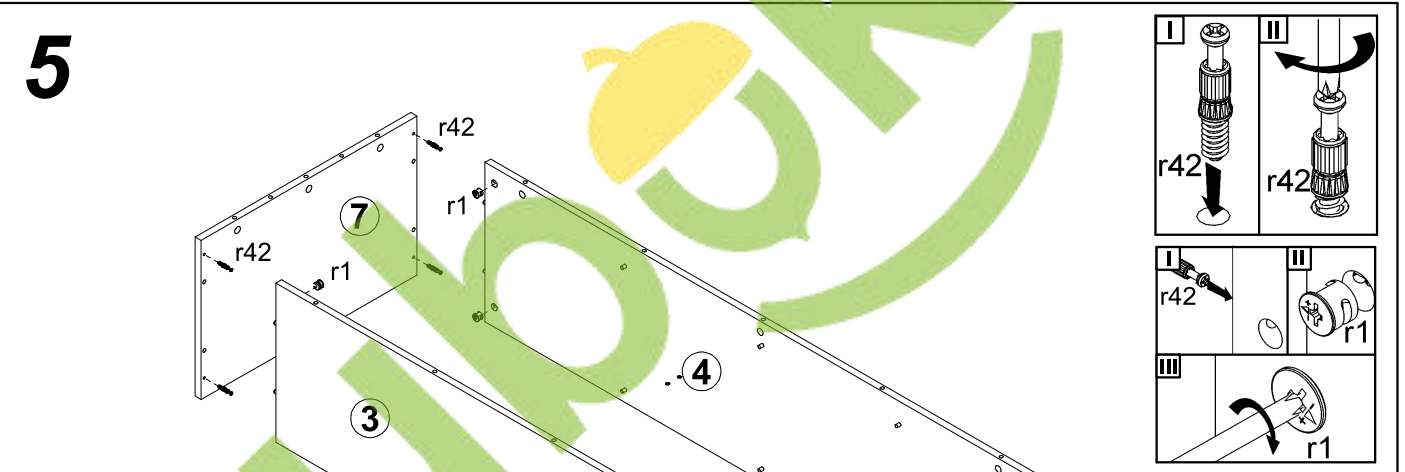
3



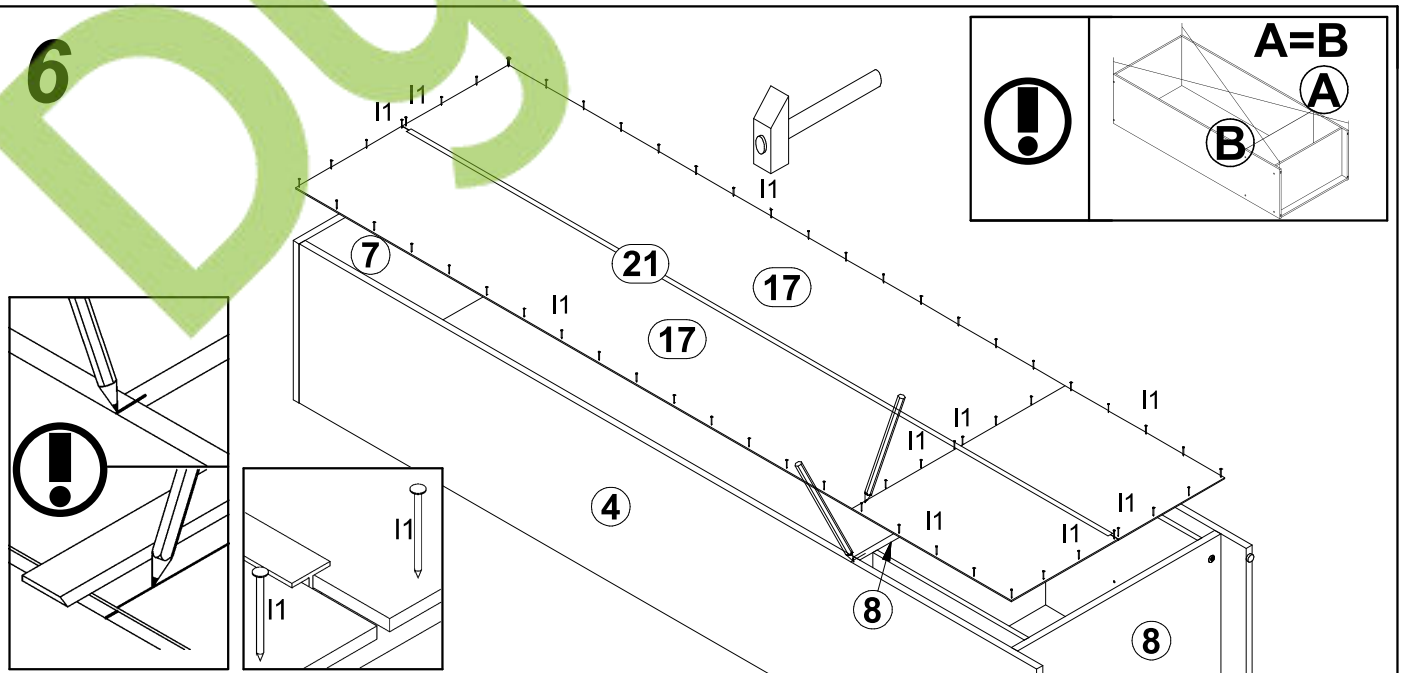
4

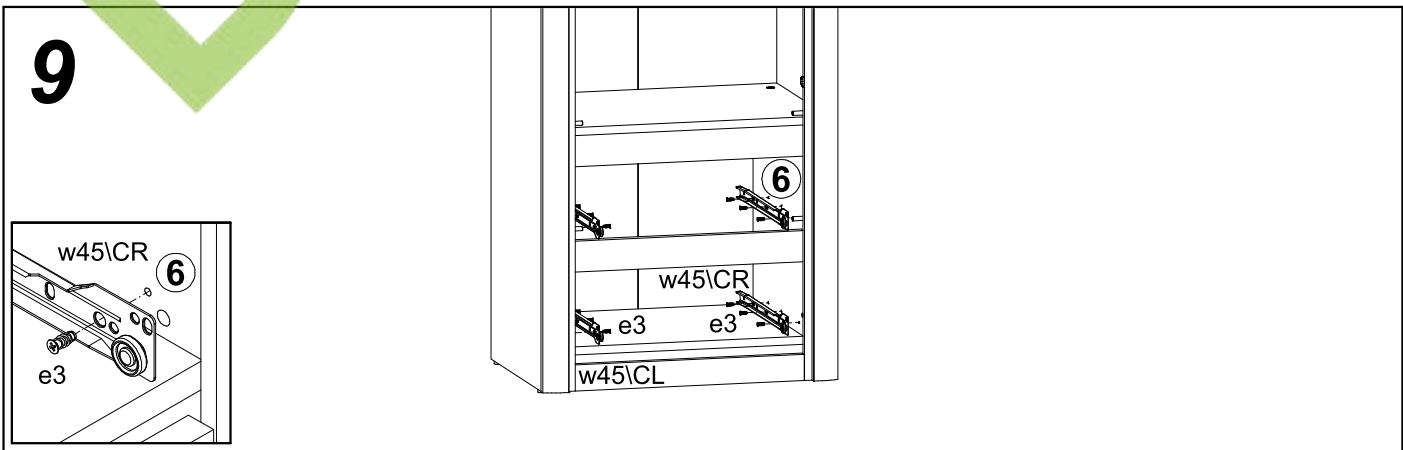
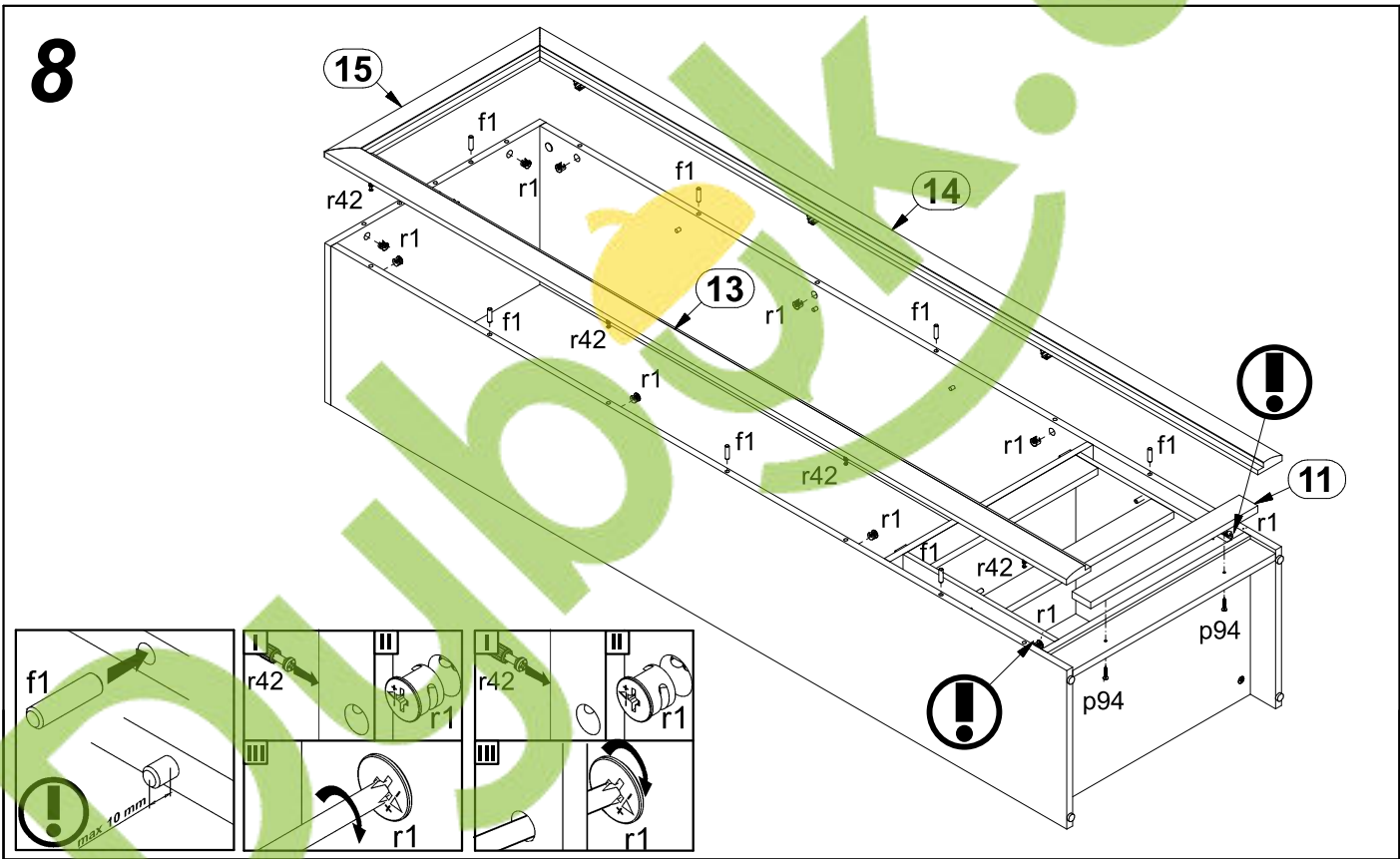
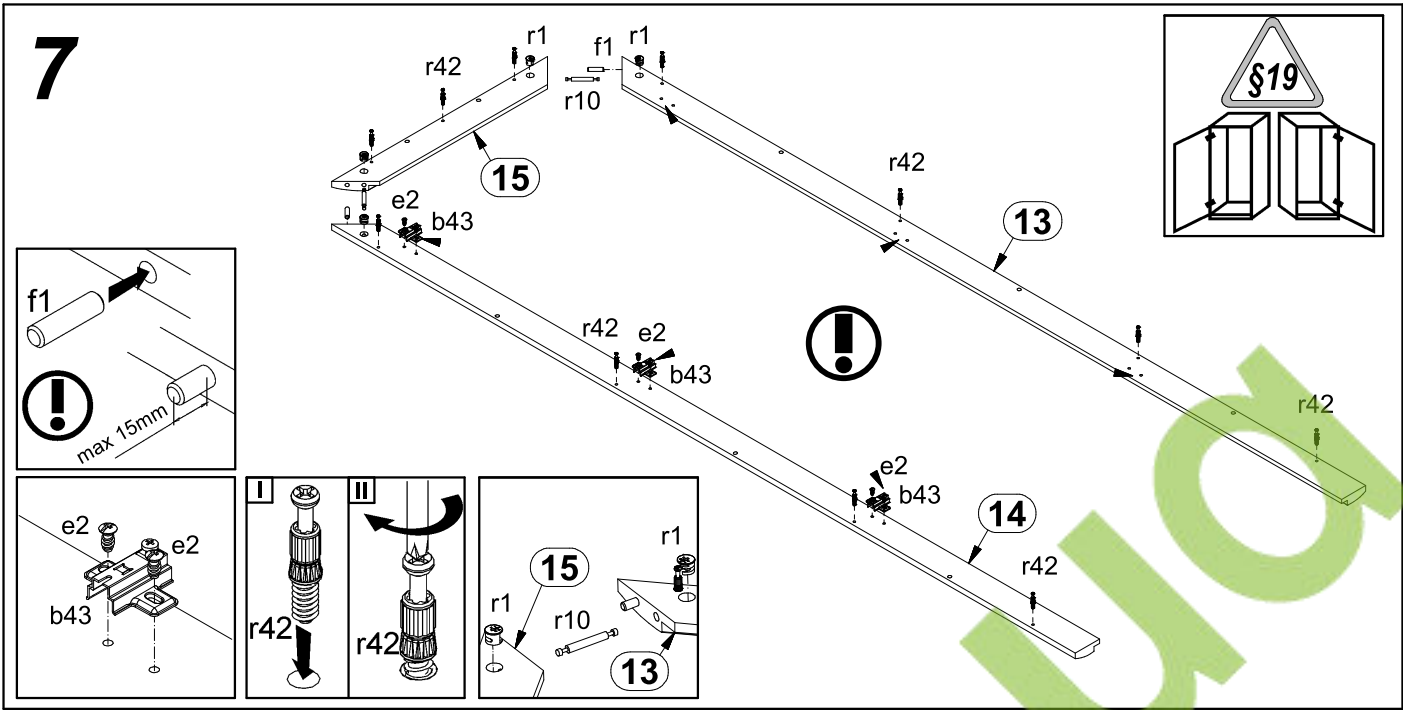


5

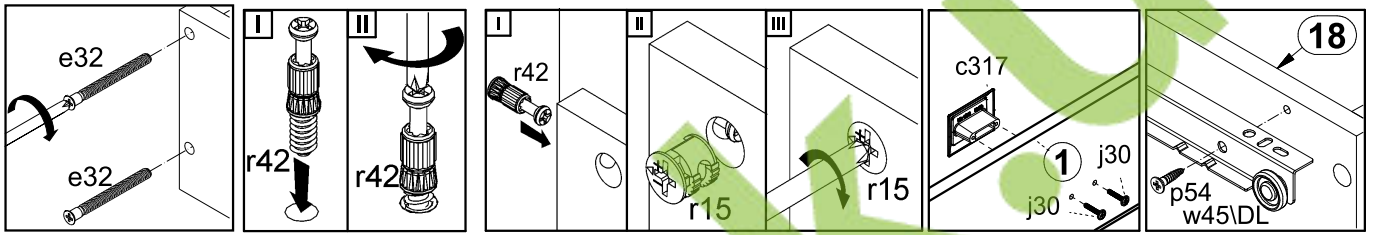
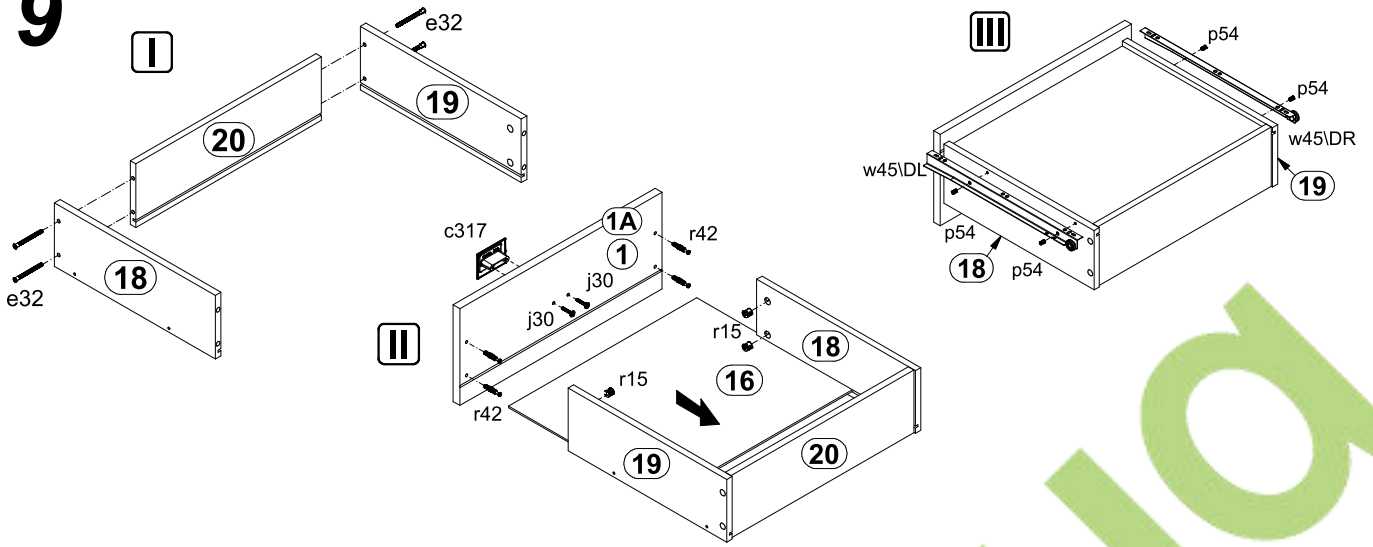


6





9



11

