

КОЕН

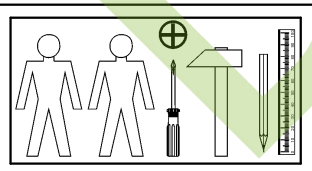
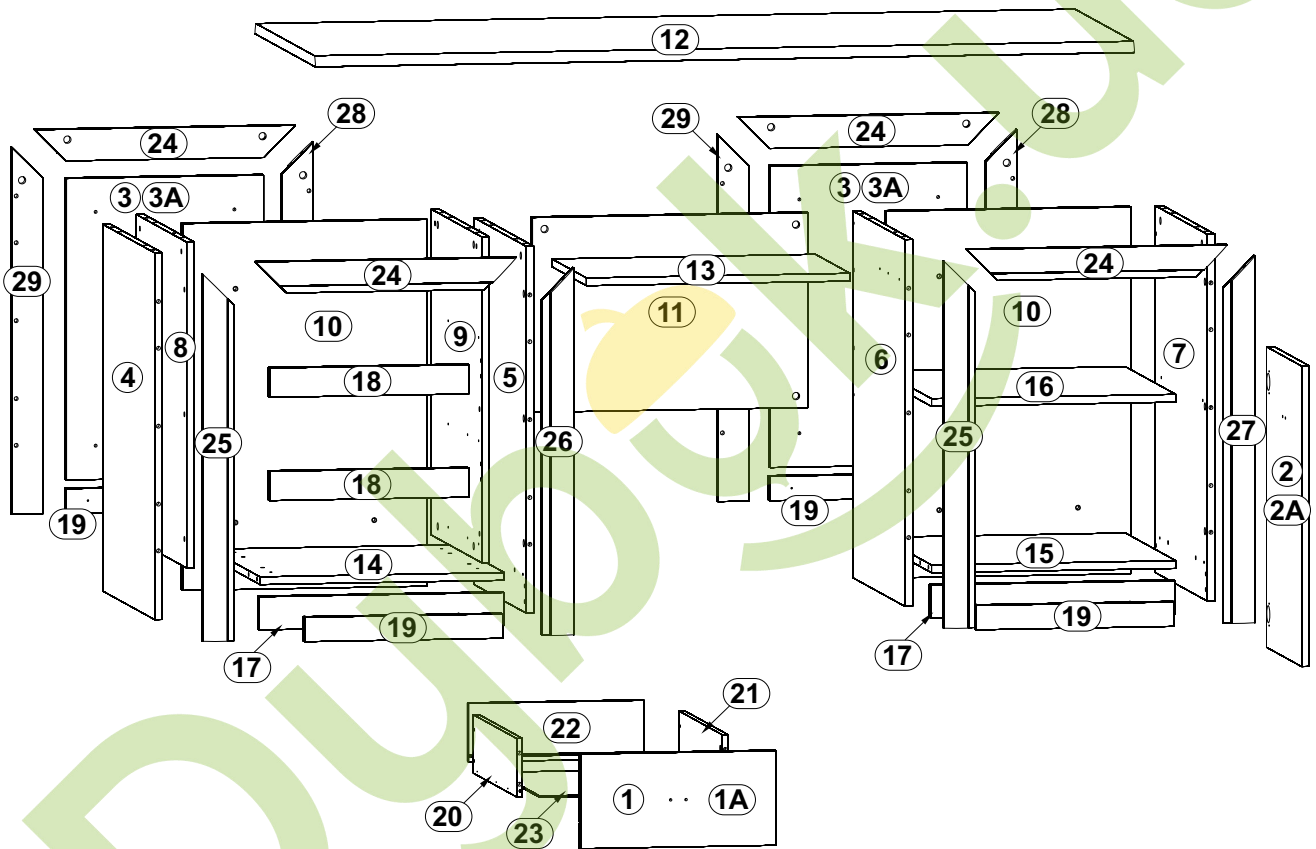
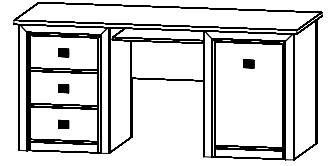
Стіл письмовий / Стол письменный **BIU_170**

A	B	C	D	
1	S136-038	406	194	5/5
1A	S136-038A	406	194	5/5
2	S136-039	617	406	5/5
2A	S136-039A	617	406	5/5
3	S136-555	619	409	5/5
3A	S136-555A	619	409	5/5
4	S136-168	753	600	2/5
5	S136-169	753	600	2/5
6	S136-172	753	600	2/5
7	S136-173	753	600	2/5
8	S136-170	669	583	1/5
9	S136-171	669	583	1/5
10	S136-5568	753	507	2/5
11	S136-450	572	400	3/5
12	S136-225	1700	700	1/5
13	S136-340	547	400	1/5

→ Фасад ДСП
→ Фасад МДФ
→ Фасад ДСП
→ Фасад МДФ
→ Фасад ДСП
→ Фасад МДФ

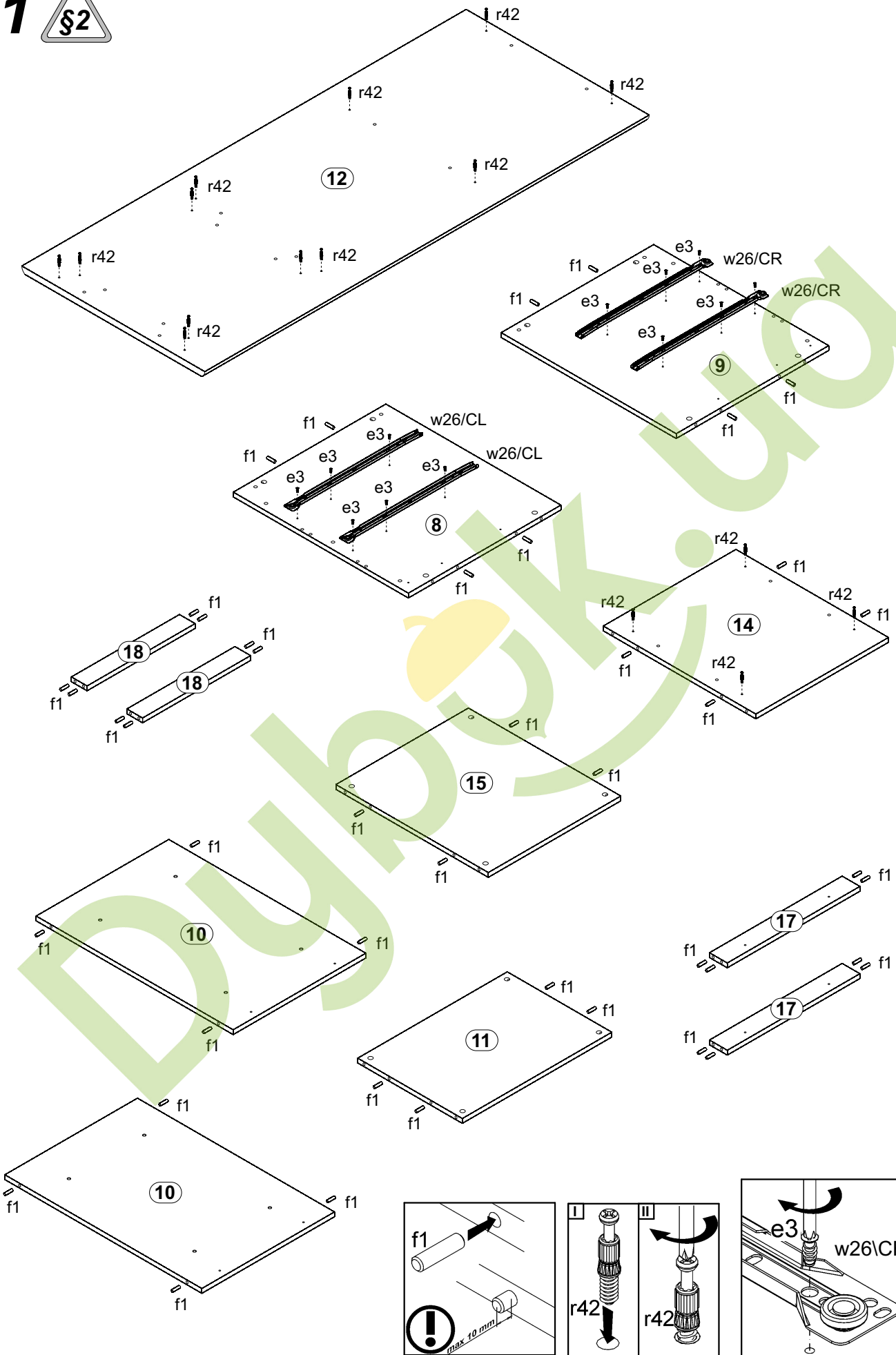


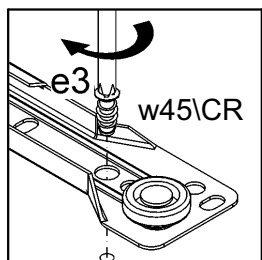
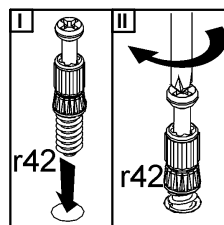
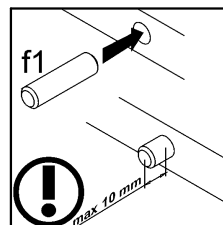
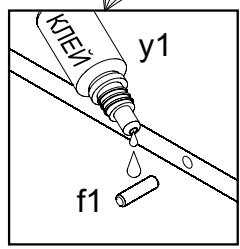
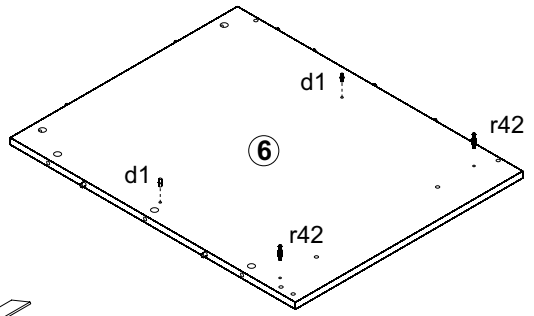
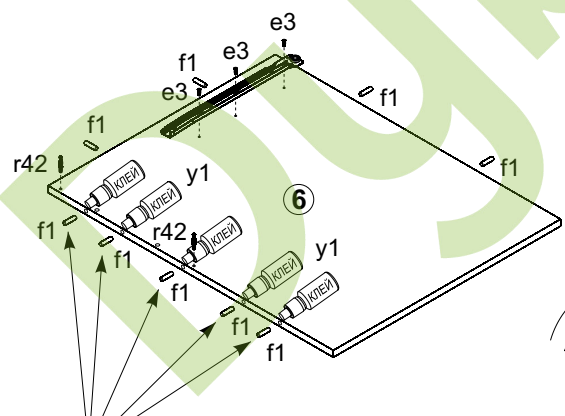
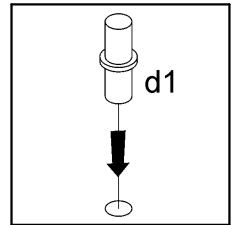
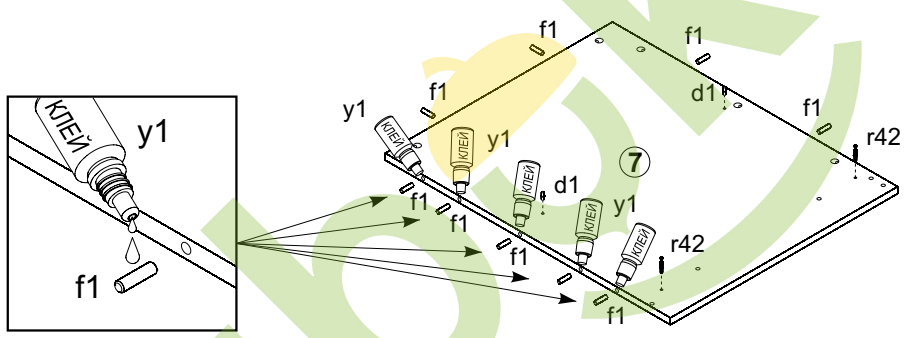
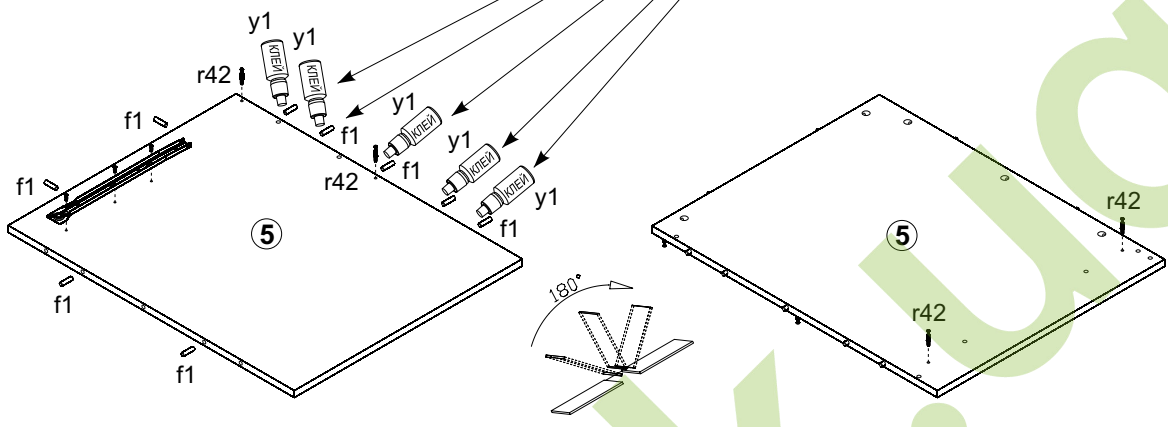
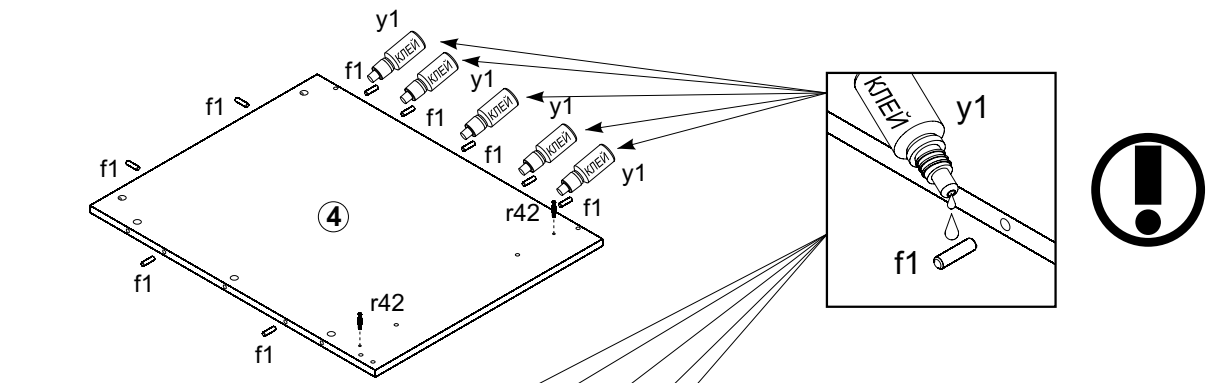
A	B	C	D	
14	S136-341	507	583	3/5
15	S136-336	507	583	3/5
16	S136-344	507	583	3/5
17	S136-447	507	68	1/5
18	S136-449	413	60	1/5
19	S136-448	411	50	3/5
20	S136-509	500	120	2/5
21	S136-510	500	120	2/5
22	S136-554	364	120	3/5
23	S136-926	499	375	3/5
24	S136-5570	541	65	4/5
25	S136-550	753	65	4/5
26	S136-551	753	65	4/5
27	S136-553	753	65	4/5
28	S136-556	753	65	4/5
29	S136-557	753	65	4/5

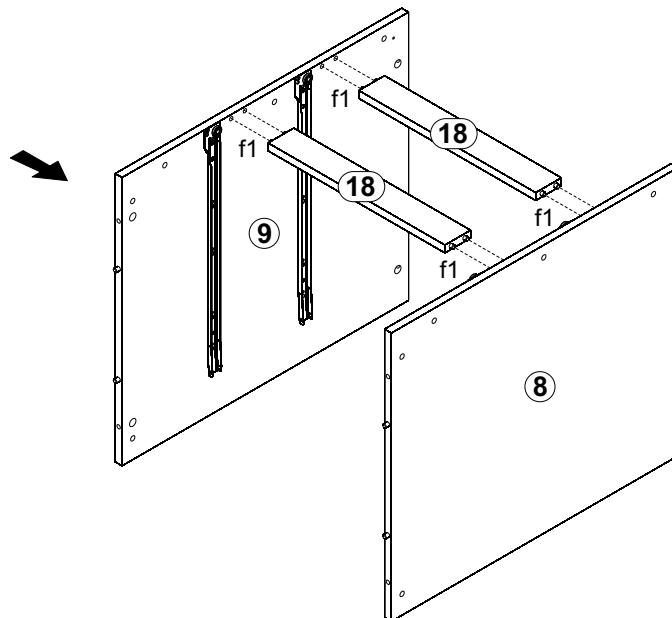
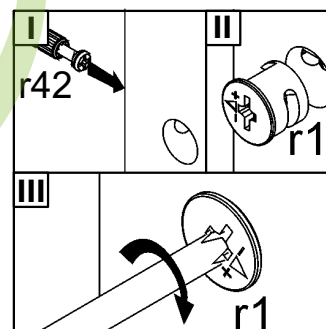
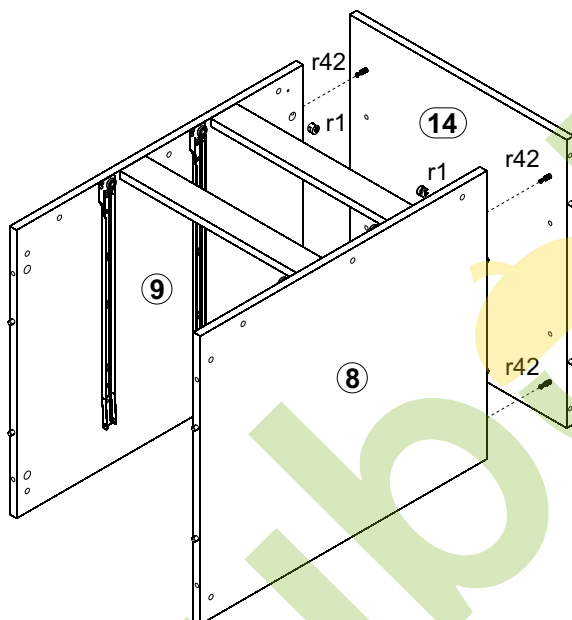
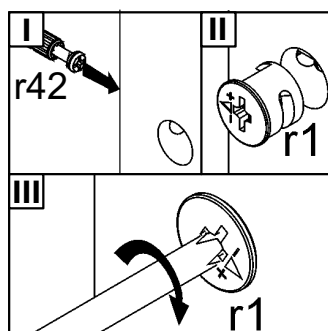
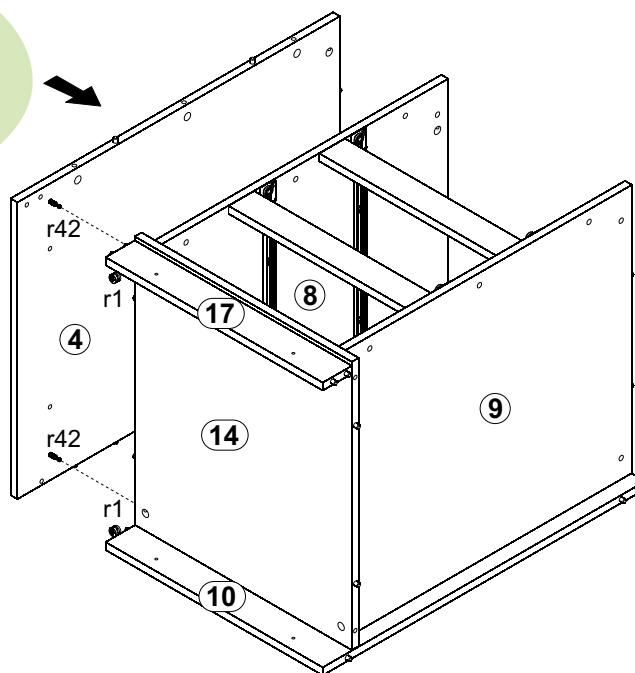


2x a99	2x b43	4x c317	4x d1 φ5x17 mm	4x e2 φ6,3x13 mm	24x e3 φ6x13 mm	8x e22 φ7x28 mm	12x e32 φ5x50 mm	88x f1 φ8x30 mm
8x j30 M4x22 mm	8x k1	4x p27 φ3,5x13 mm	4x p51 φ3,5x15 mm	18x p54 φ3x12 mm	8x p94 φ4x28 mm	56x r1 φ15x12mm #16	8x r10	12x r15 φ12x10,5mm #12
52x r42 20/11	14x s2 φ16	3x w26 ^{CL} 500 mm	3x w26 ^{CR} 500 mm	3x w26 ^{DL} 500 mm	3x w26 ^{DR} 500 mm	1x w45 ^{CL} 350 mm	1x w45 ^{CR} 350 mm	1x w45 ^{DL} 350 mm
1x w45 ^{DR} 350 mm	1x y1 Клей	1x z1	2x a6311 h=3mm Для фас. МДФ					

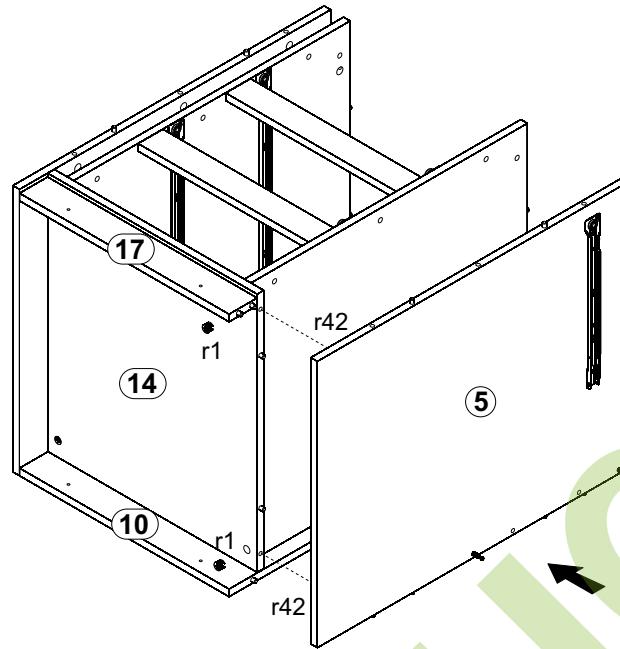
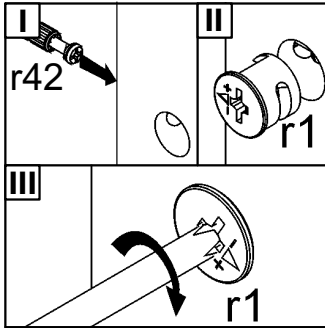
1 §2



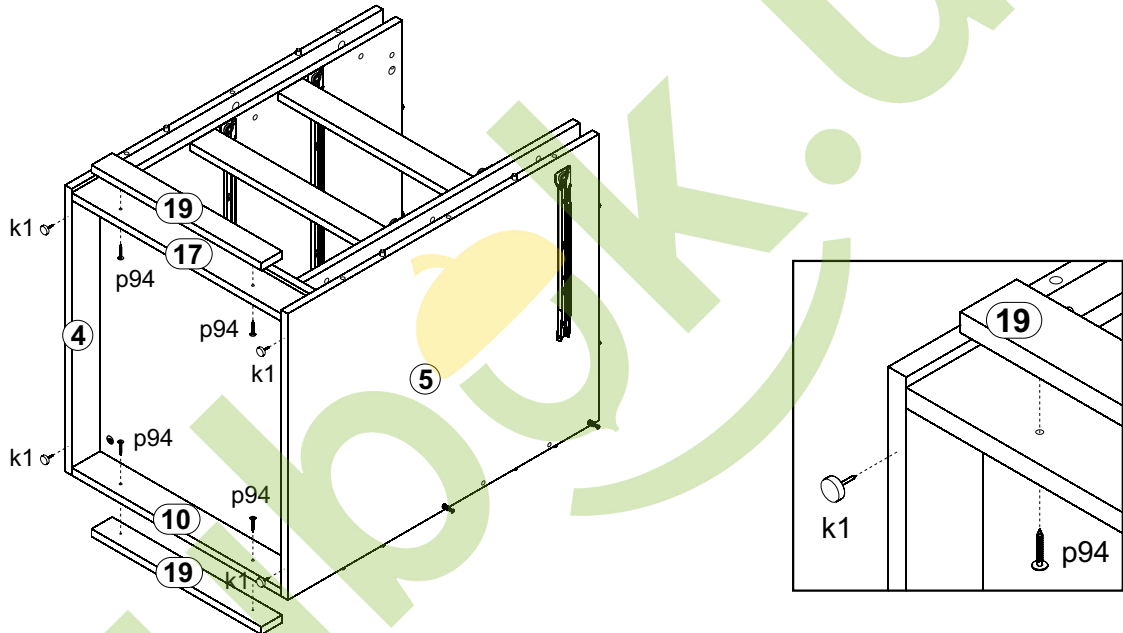


2**3****4**

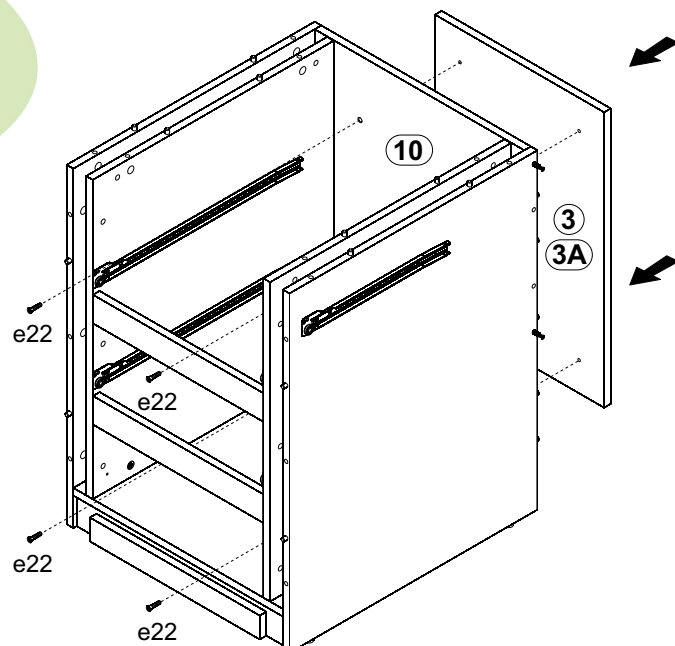
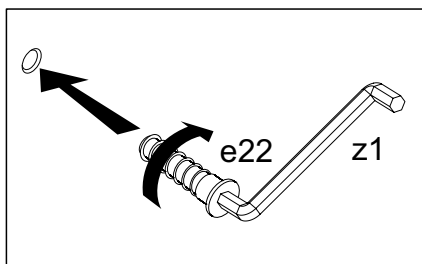
5



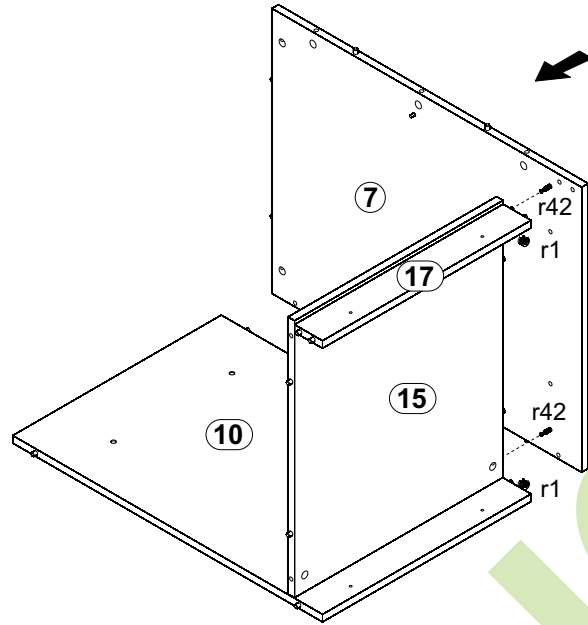
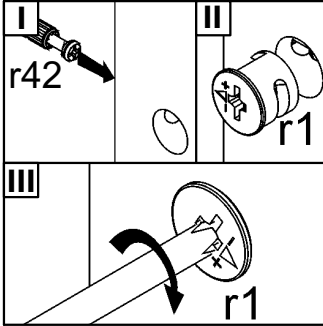
6



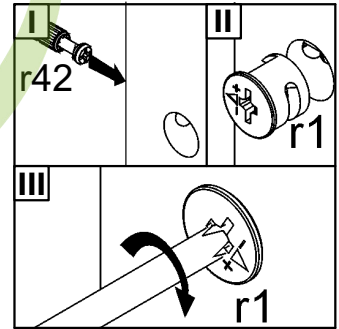
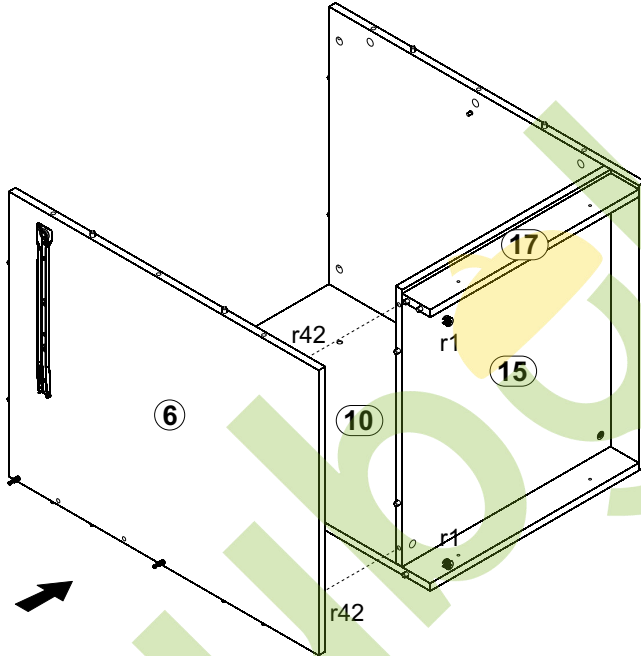
7



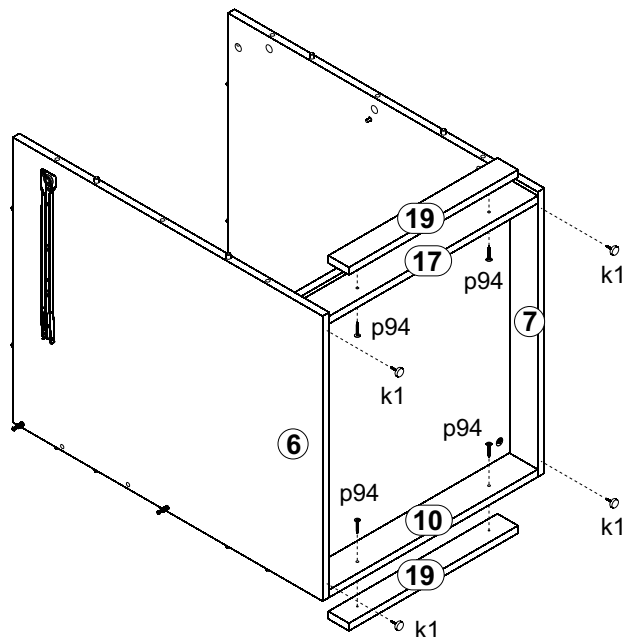
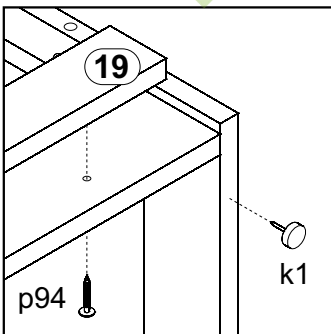
8



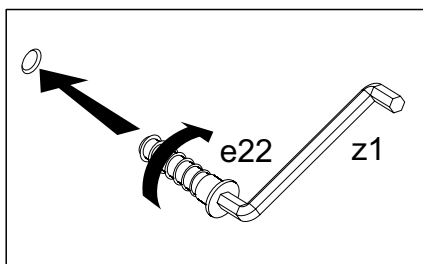
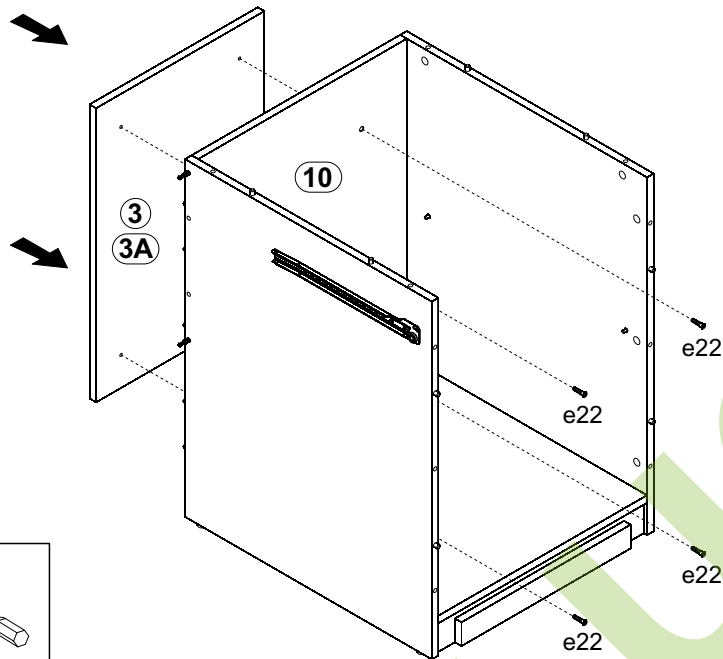
9



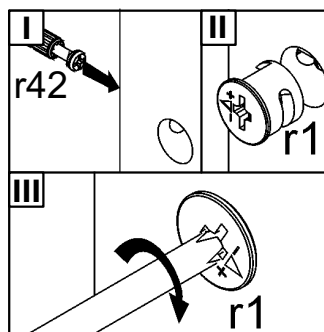
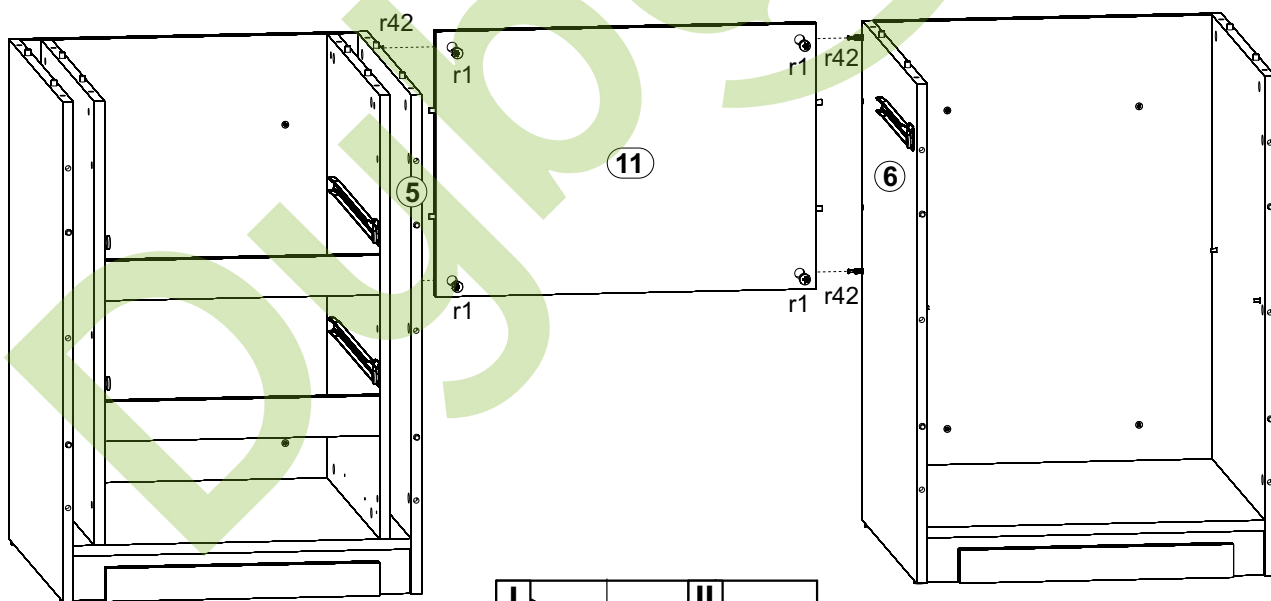
10



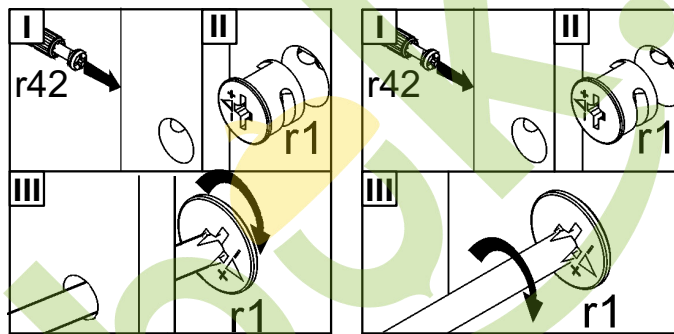
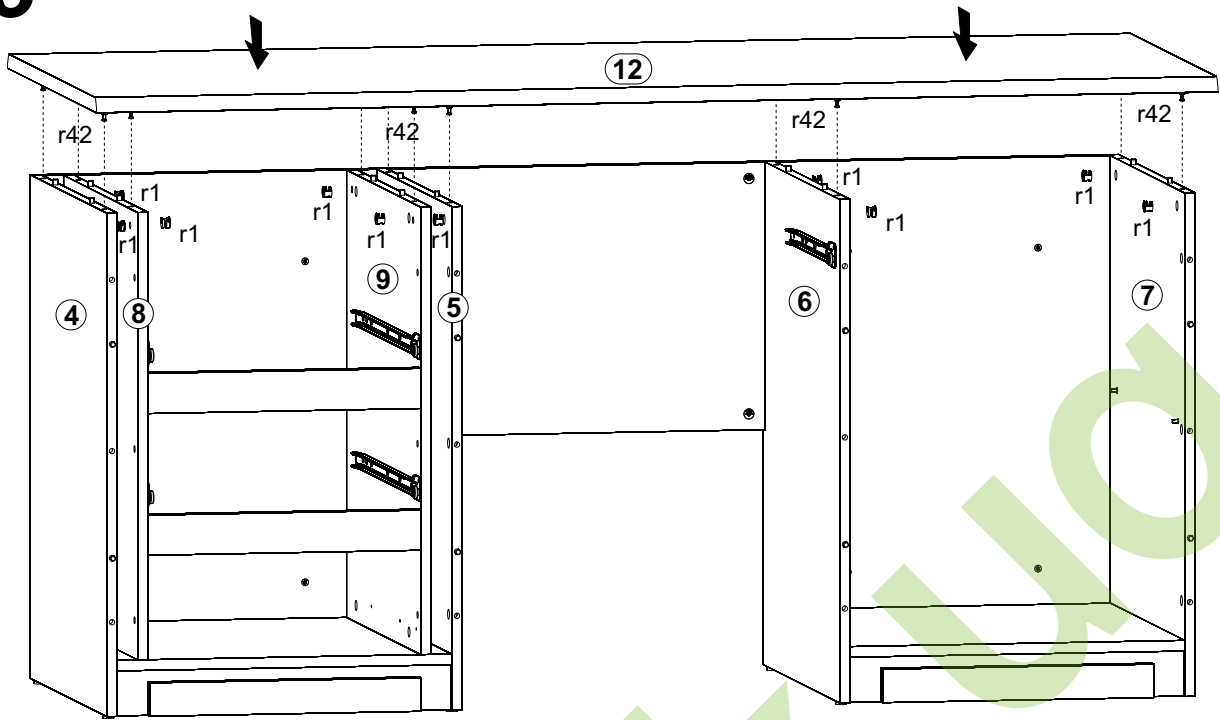
11



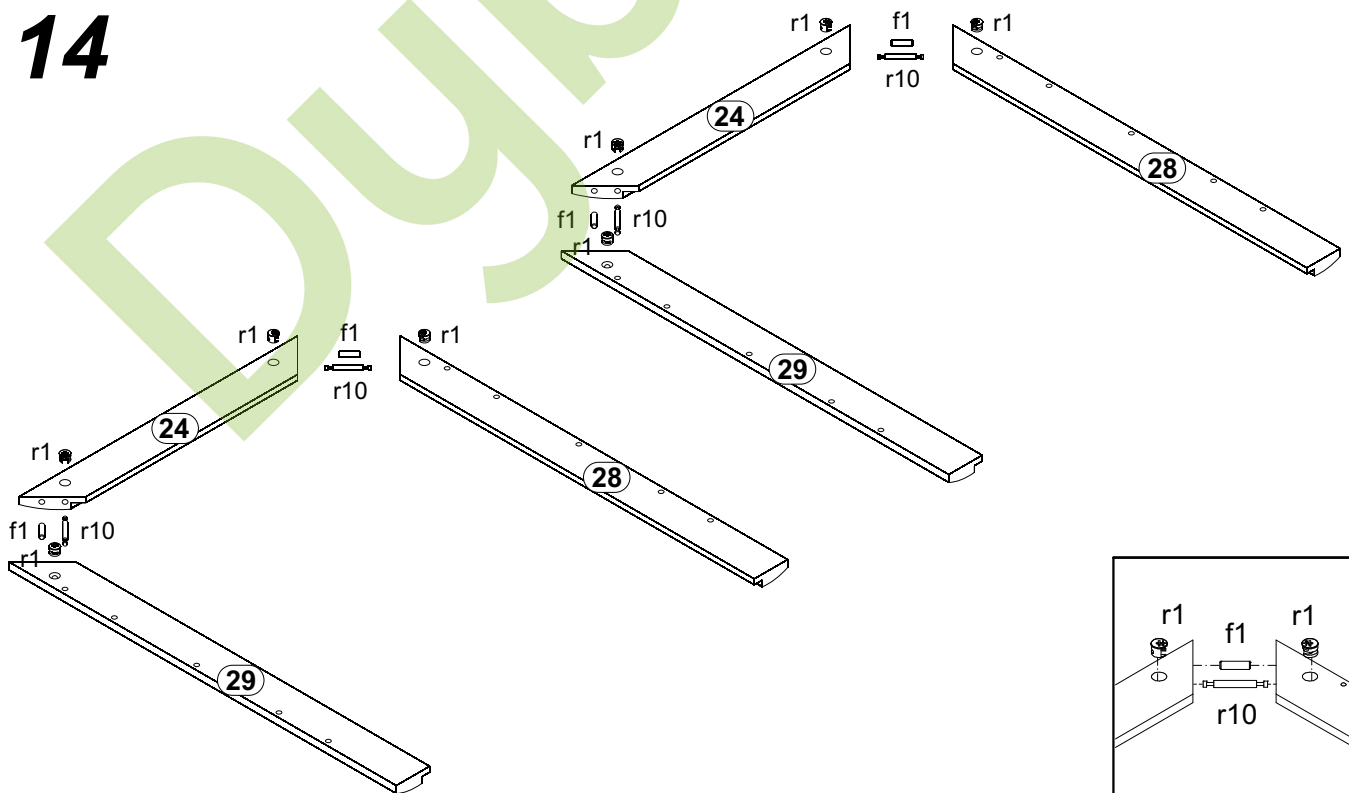
12



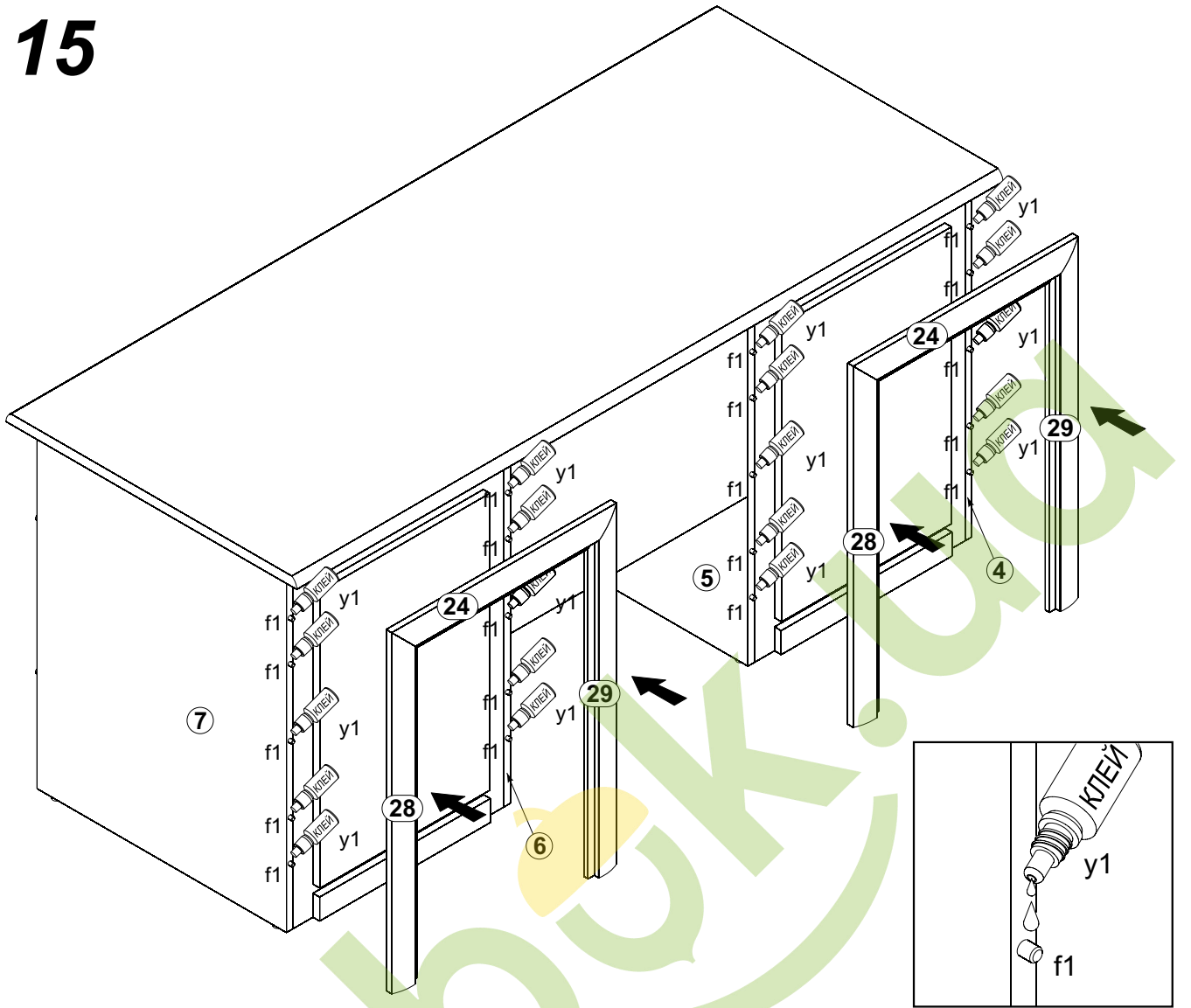
13



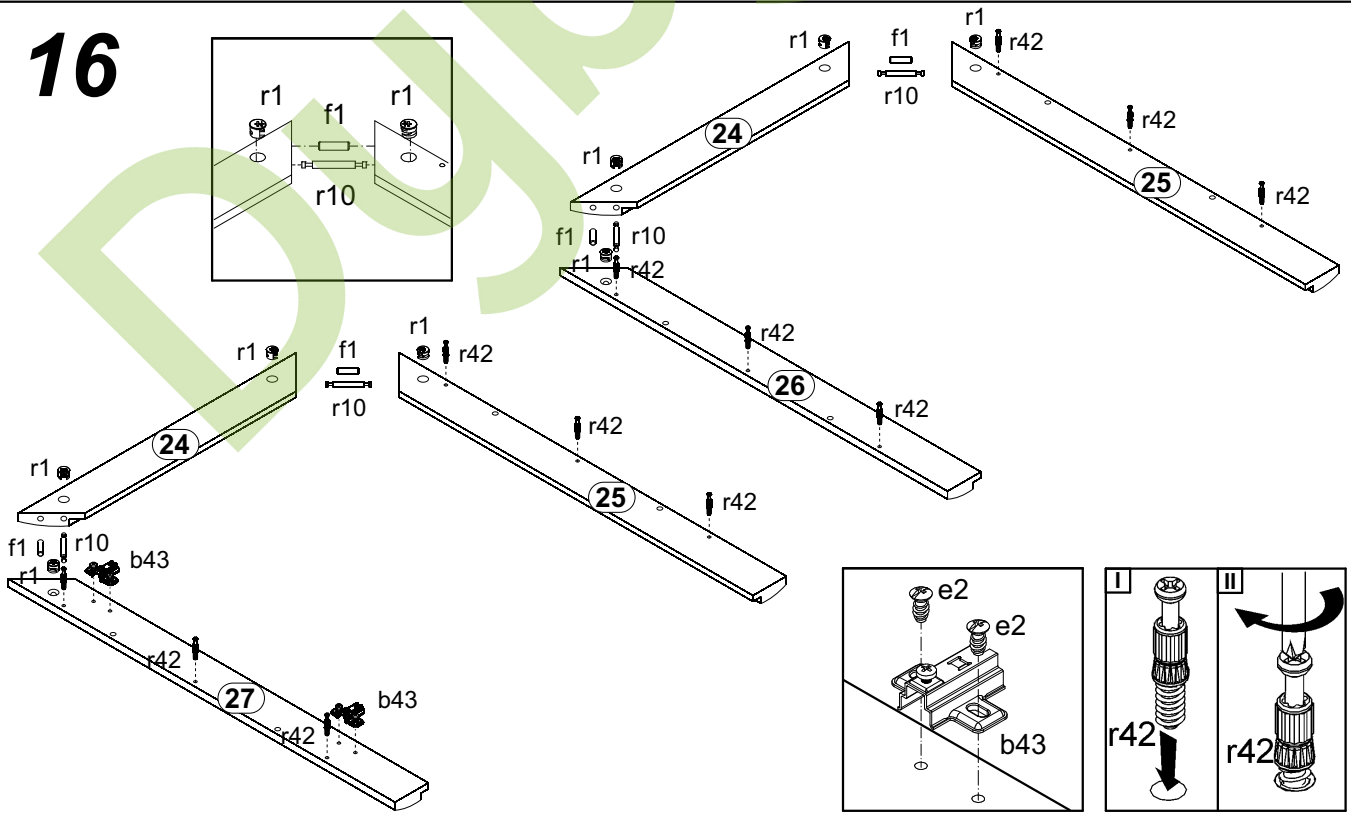
14



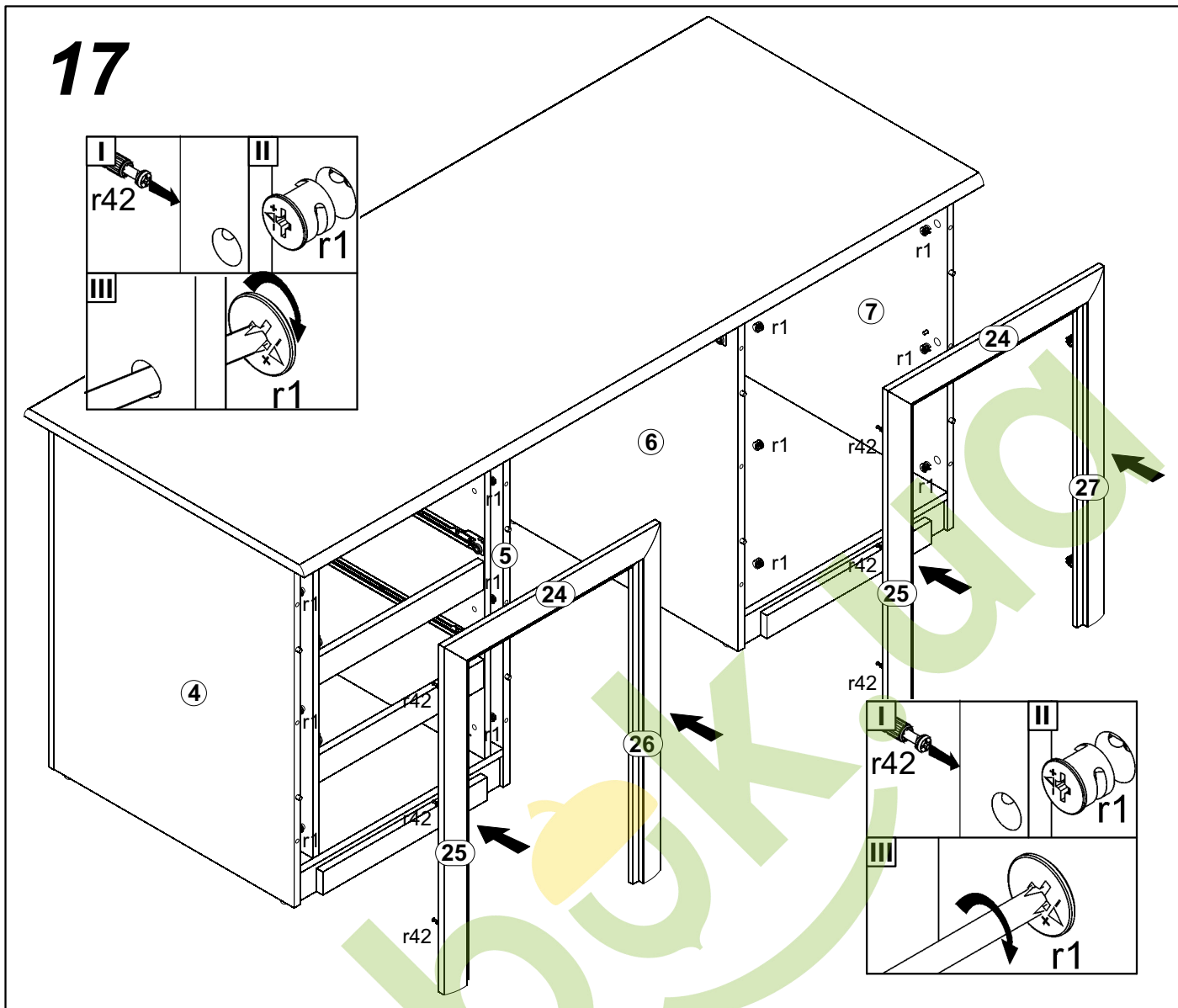
15



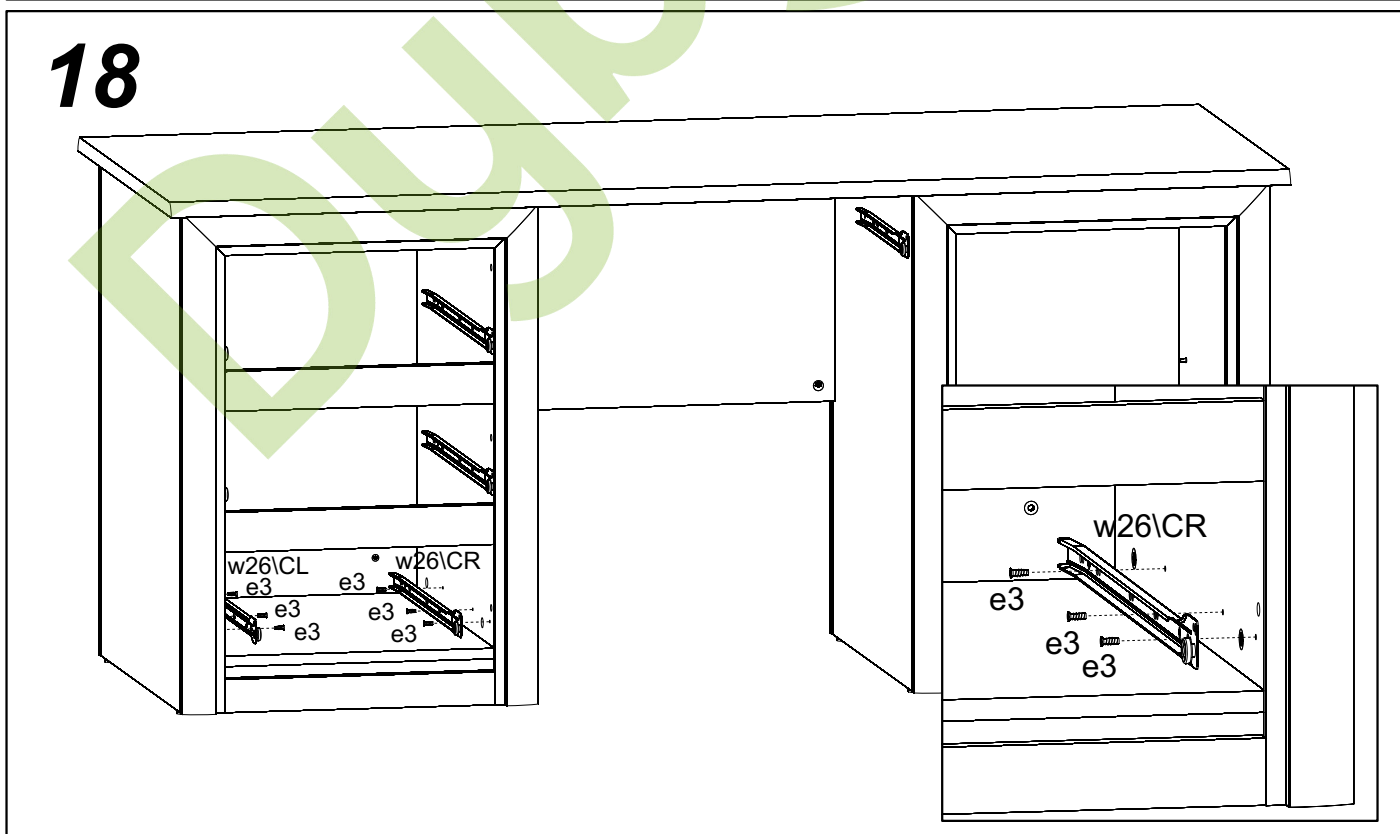
16



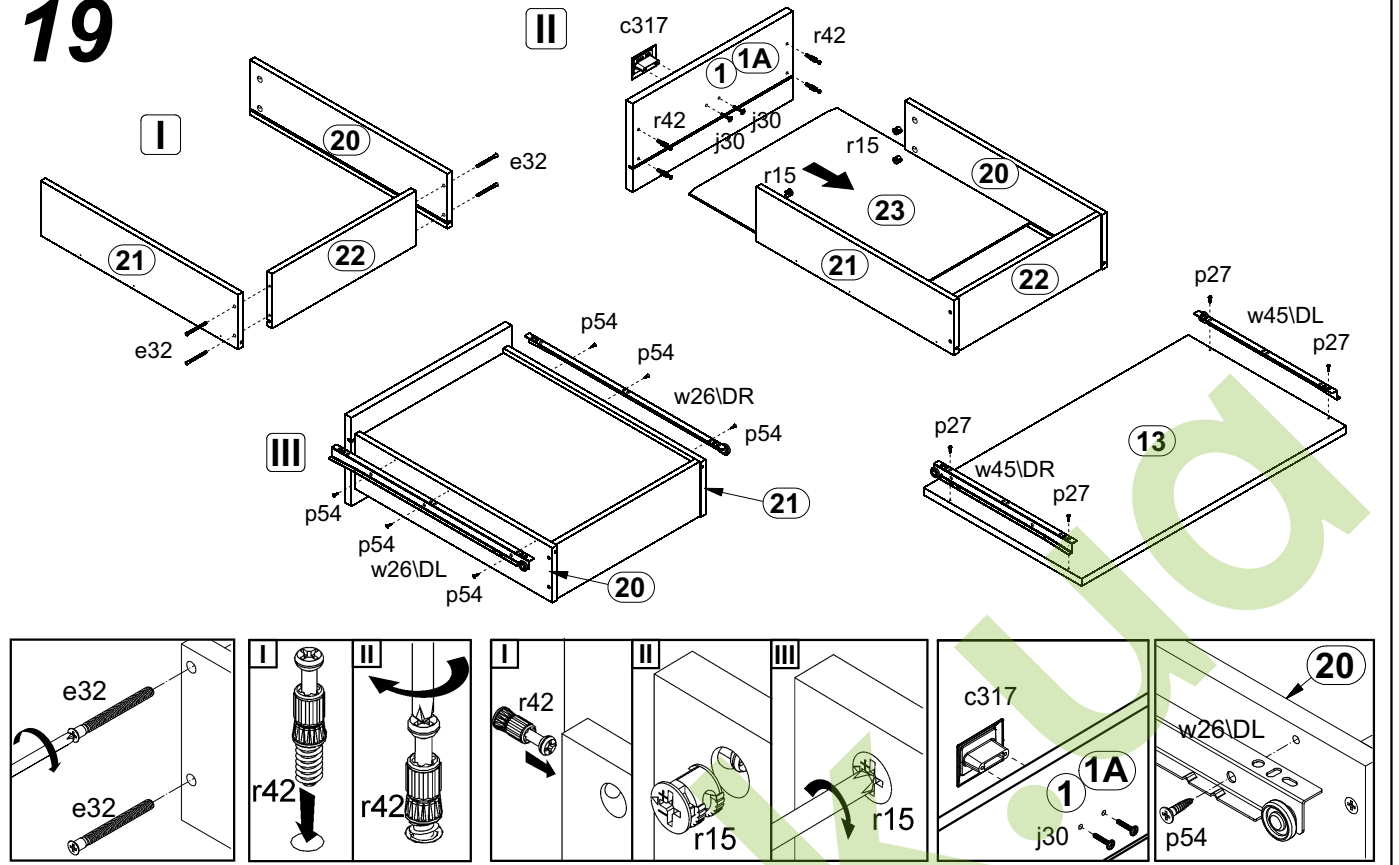
17



18



19



20

