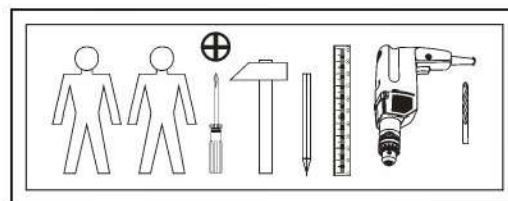
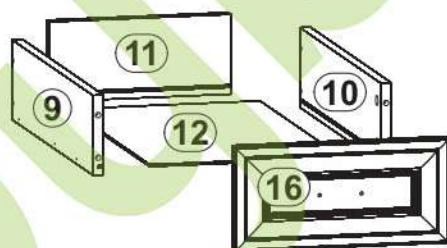
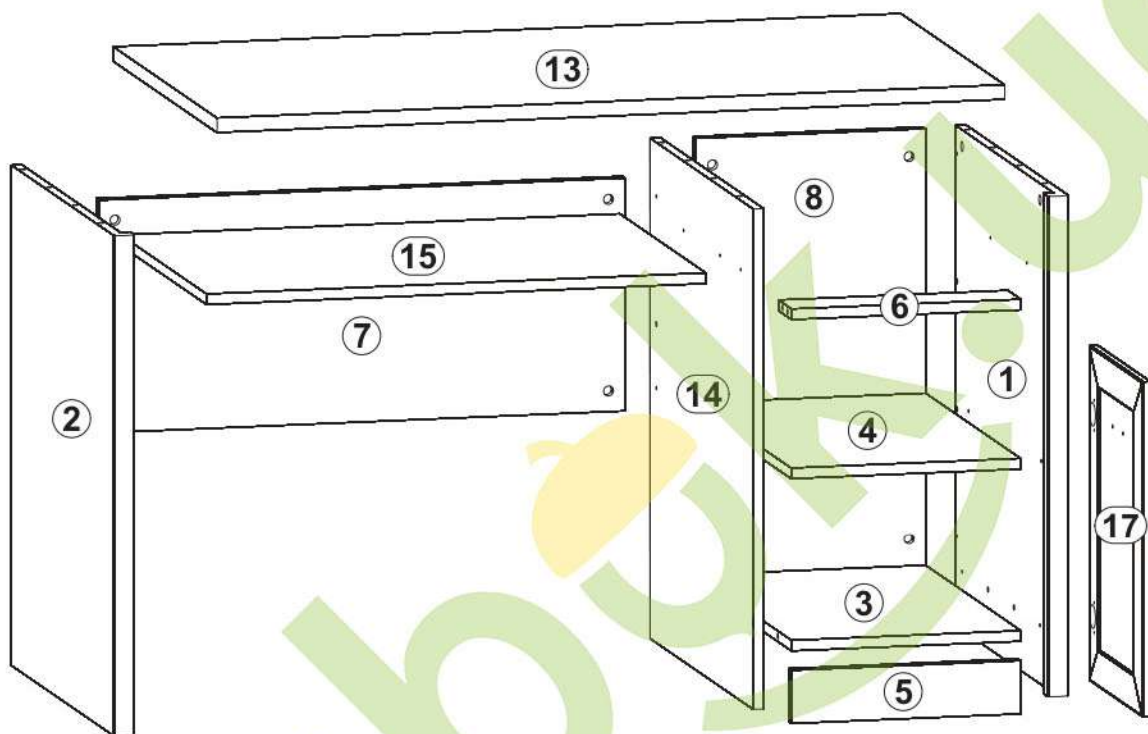
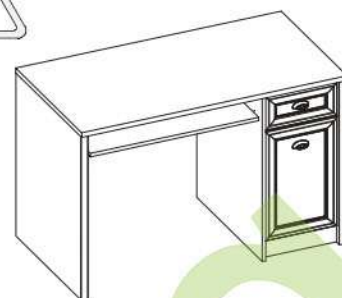


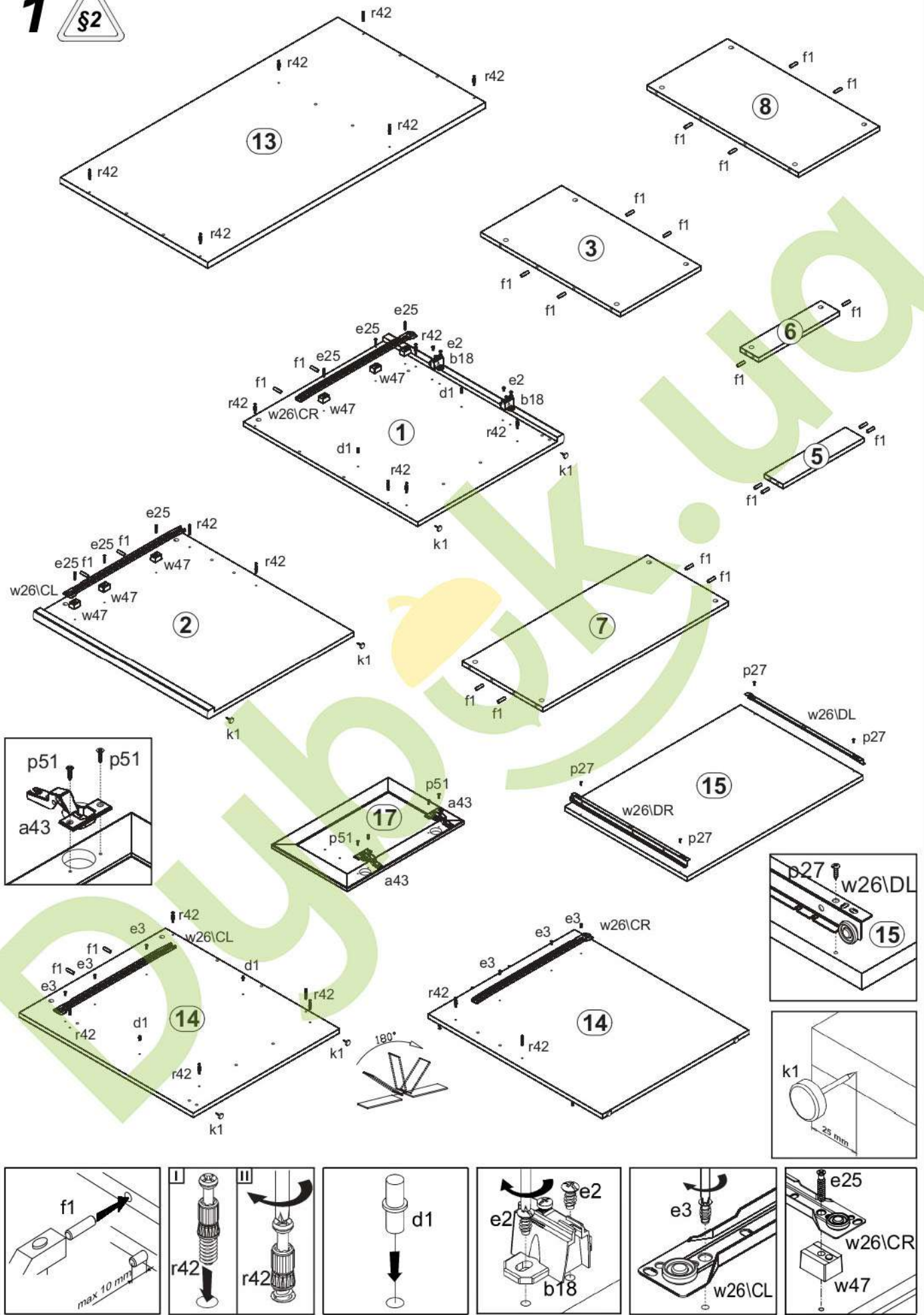
A	B	C	D	
1	B18-112	754	635	1/4
2	B18-114	754	635	1/4
3	B18-312	350	604	2/4
4	B18-317	350	585	2/4
5	B18-412	350	80	2/4
6	B18-413	350	80	2/4
7	B18-414	803	350	2/4
8	B18-415	658	350	2/4
9	B18-507	500	120	2/4

A	B	C	D	
10	B18-508	500	120	2/4
11	B18-509	277	120	2/4
12	B18-907	292	499	2/4
13	B18-203	1202	641	3/4
14	B18-113	754	635	3/4
15	B18-314	762	530	3/4
16	B18-006	328	158	4/4
17	B18-007	506	328	4/4

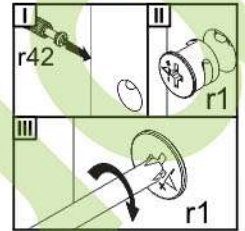
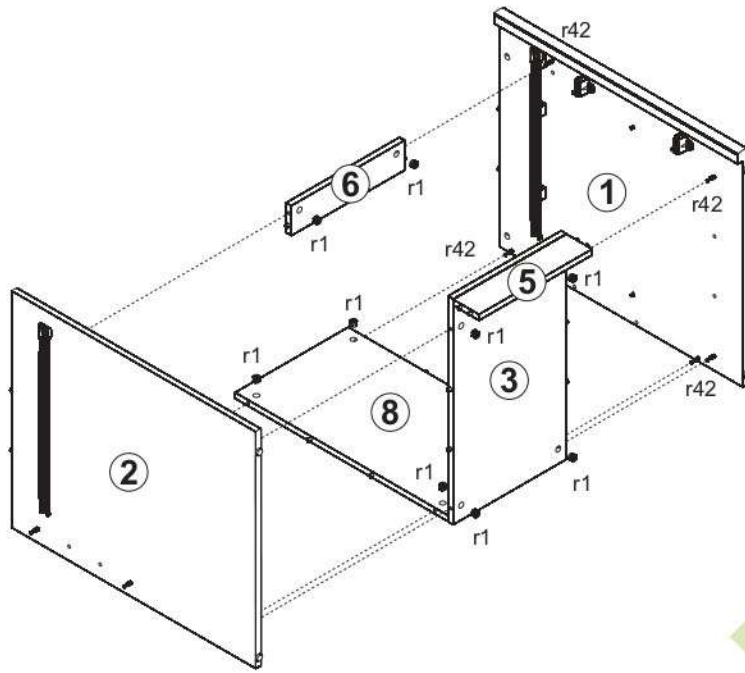


2x  a43	2x  D22.5 b18	2x  f84	4x  φ5x17 mm d1	4x  φ6.3x13 mm e2	6x  φ6x13 mm e3	6x  φ6x28 mm e25	4x  φ5x50 mm e32
24x  φ8x30 mm f1	4x  M4x10 mm j106	6x  k1	4x  φ3.5x13 mm p27	4x  φ3.5x15 mm p51	6x  φ3x12 mm p54	24x  φ15x12mm #16 r1	24x  20/11 r42
16x  φ16 s2	2x  500 mm w26 <sup>CL</sup>	2x  500 mm w26 <sup>CR</sup>	2x  500 mm w26 <sup>DL</sup>	2x  500 mm w26 <sup>DR</sup>	6x  h=16 mm w47		

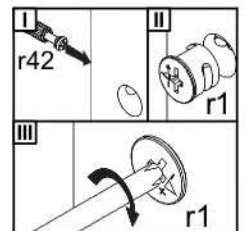
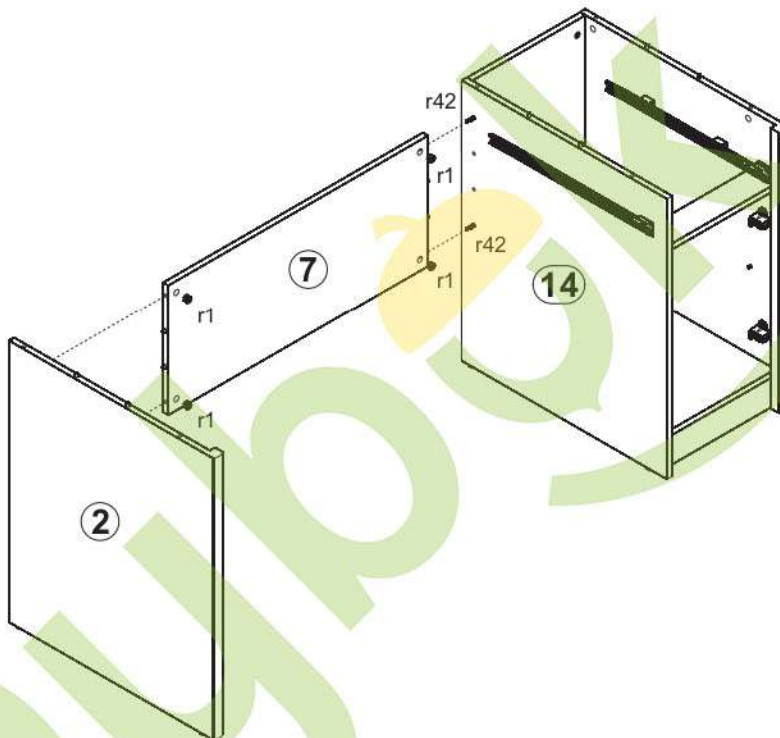
# 1



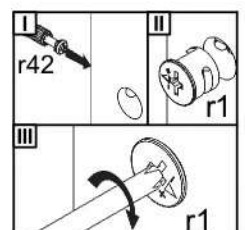
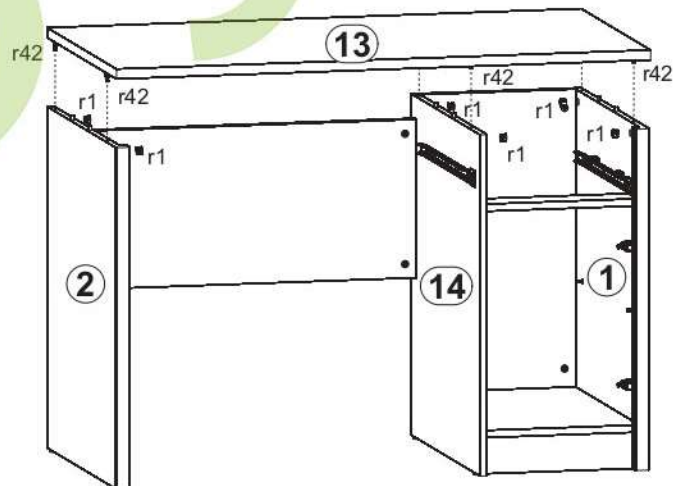
# 2



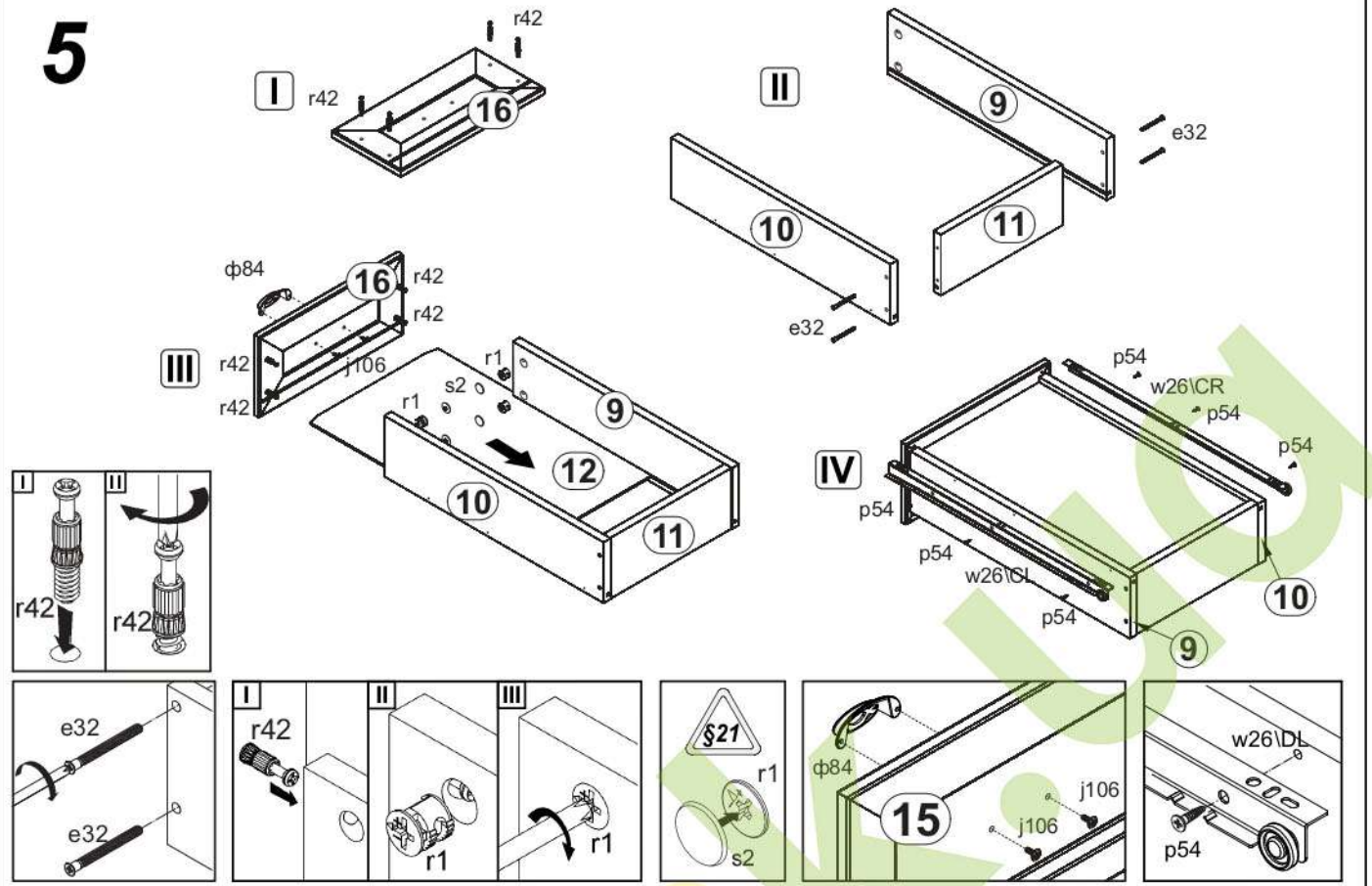
# 3



# 4



# 5



# 6

