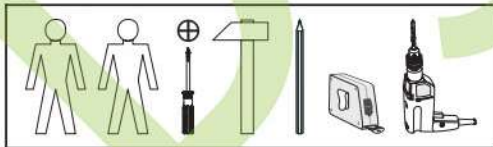
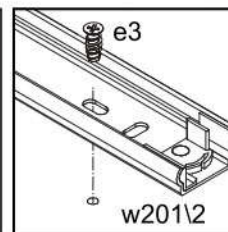
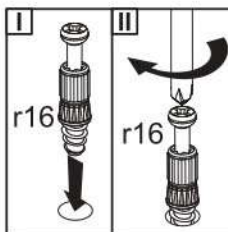
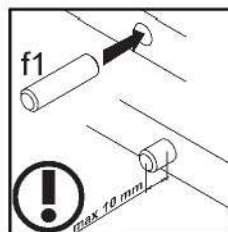
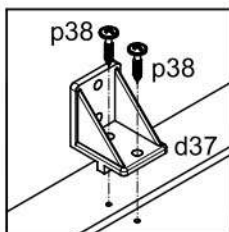
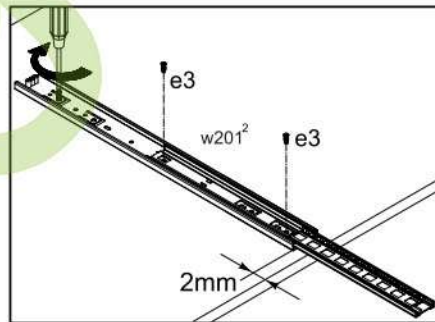
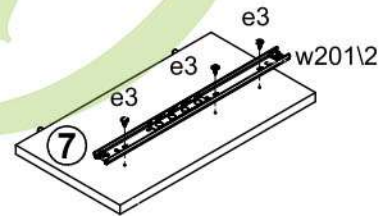
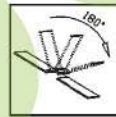
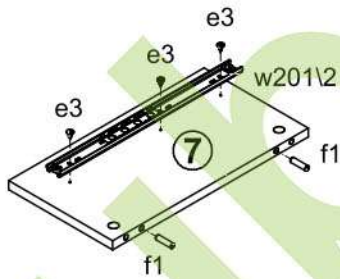
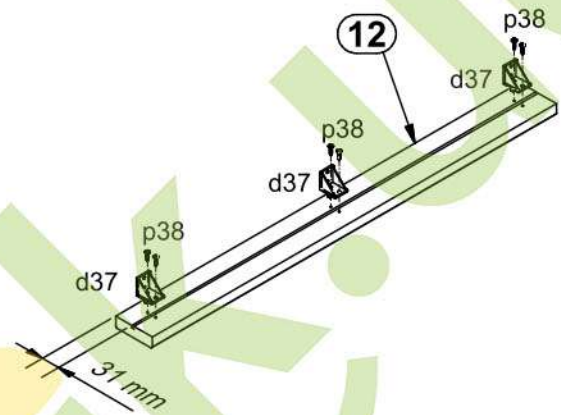
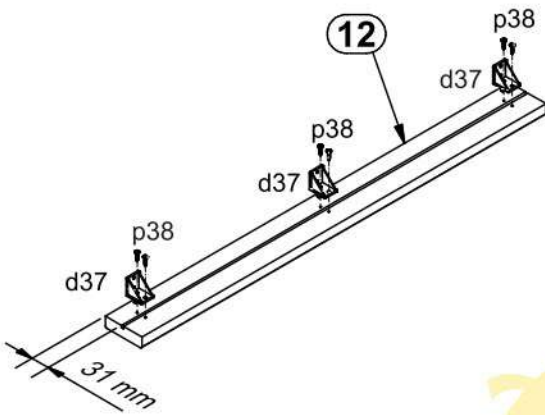
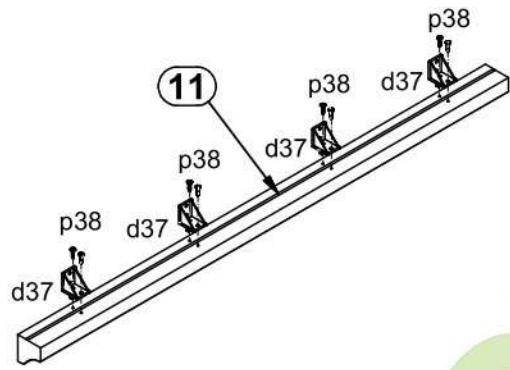
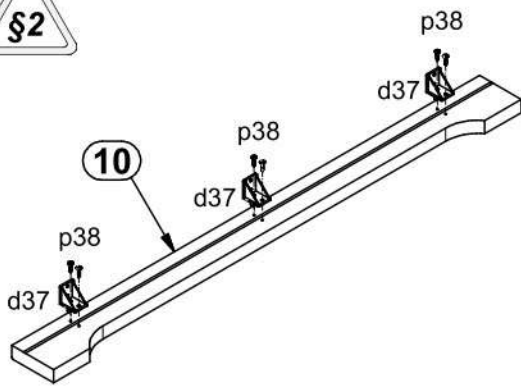


A	B	C	D
1	S405-004	753	200
2	S405-005	375	160
3	S405-006	375	160
4	S405-104	900	395
5	S405-105	900	395
6	S405-107	812	375
7	S405-106	200	375
8	S405-202	928	445
9	S405-305	866	375
10	S405-403	900	80
11	S405-552	900	44
12	S405-404	776	70
13	S405-904	717	349
14	S405-905	329	349
15	S405-906	416	881
16	S405-907	416	881
17	S405-501	350	140
18	S405-502	350	140
19	S405-503	702	140
20	S405-504	314	140
21	LH-865	865	14

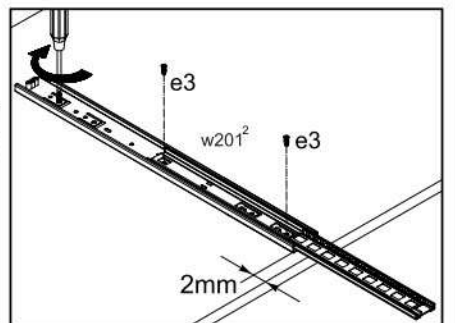
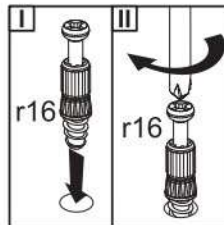
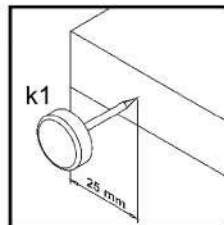
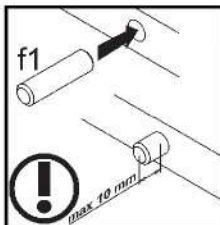
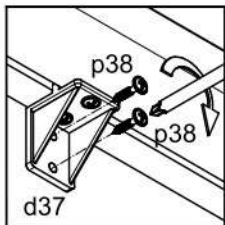
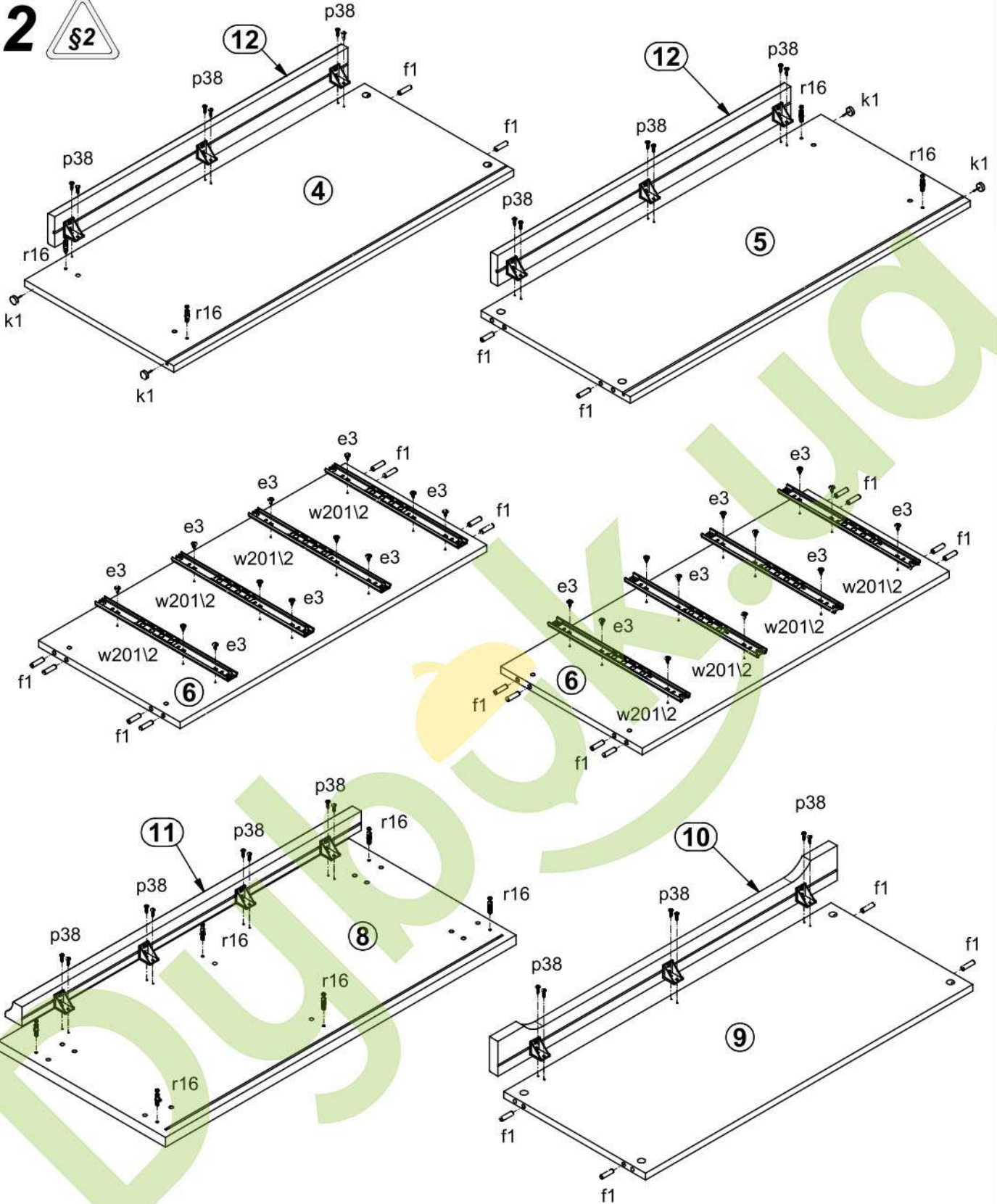


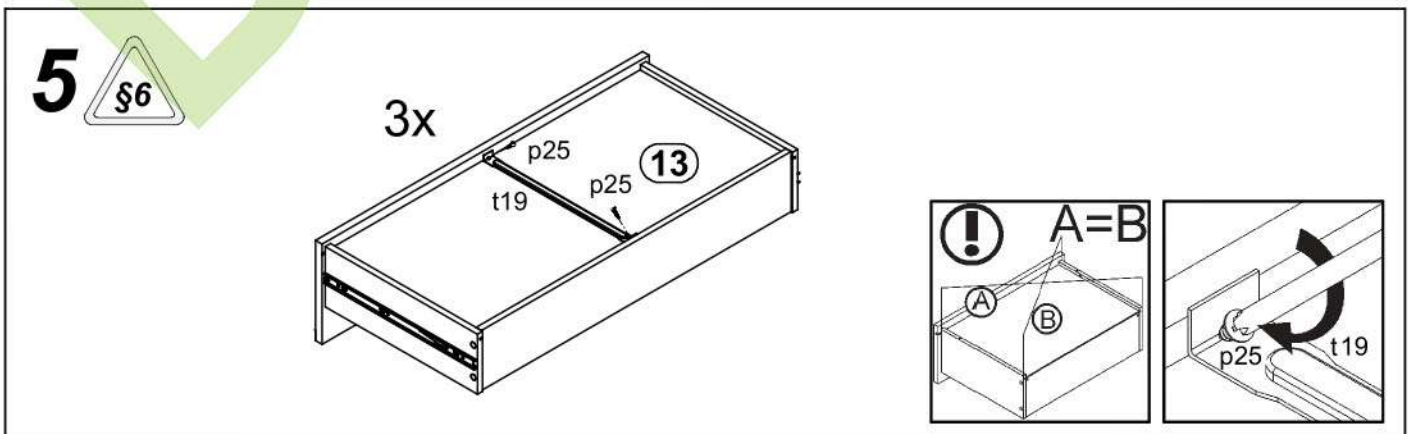
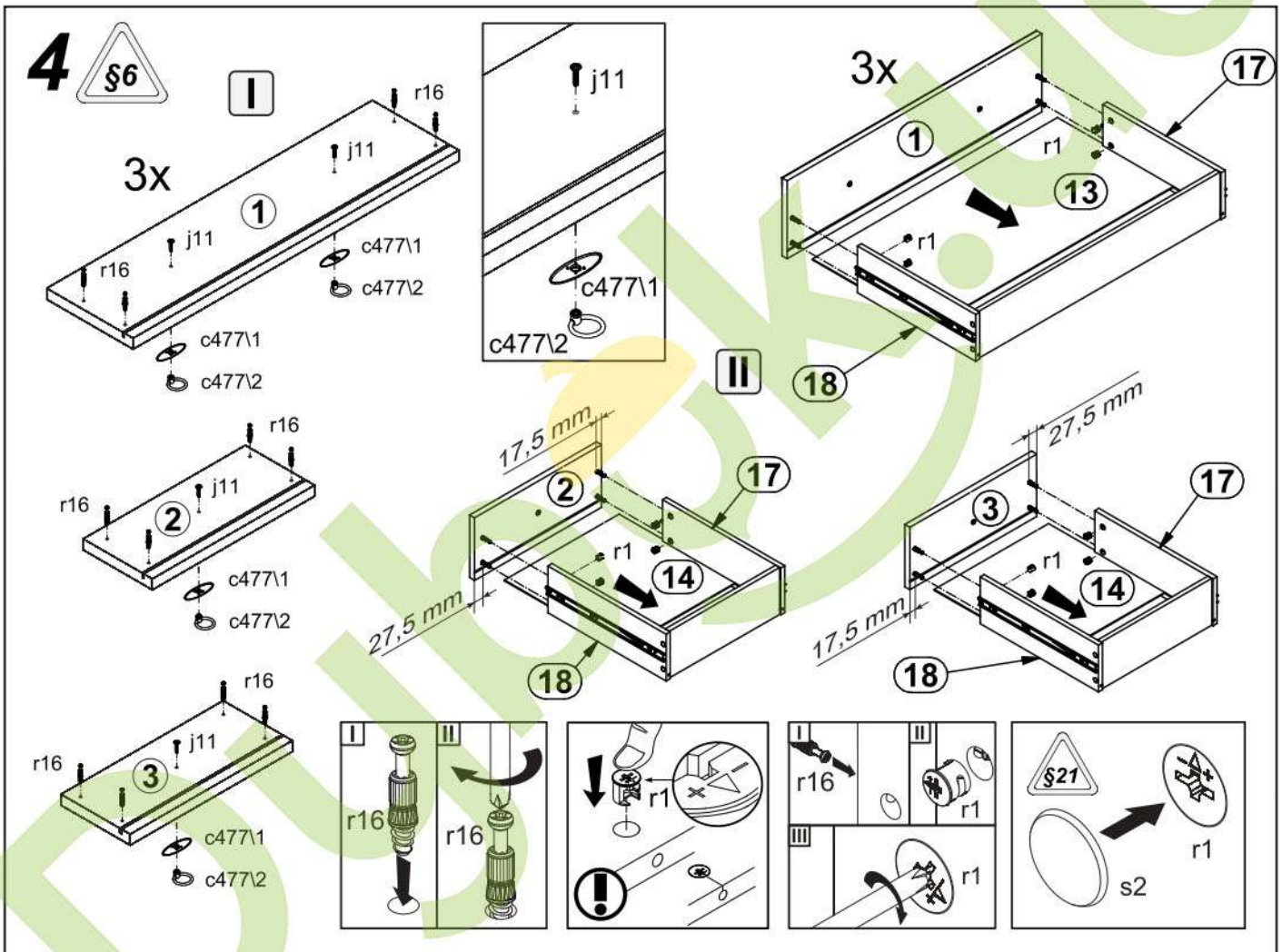
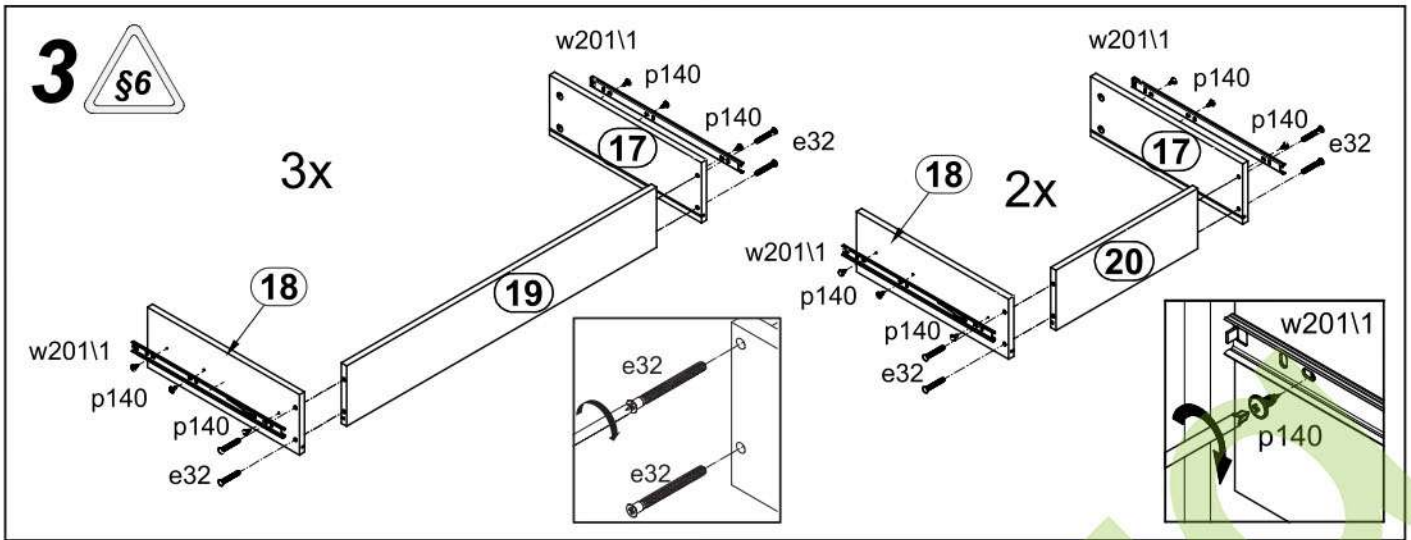
8x c477/1	8x c477/2	13x d37	30x φ6x13 mm e3	20x φ5x50 mm e32	26x φ8x30 mm f1	8x M4x28 mm j11
4x k1	10x l1	8x l2	1x n26/1	6x φ3,5x16 mm p25	53x φ3,5x16 mm p38	30x φ3,5x12 mm p140
30x φ15x12mm #16 r1	30x 20/9 r16	18x φ16 s2	3x 333 mm t19	10x 350/580 mm w201/1	10x 350/580 mm w201/2	

1 §2

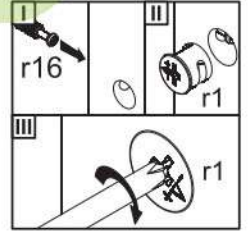
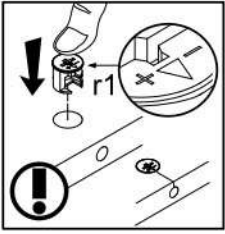
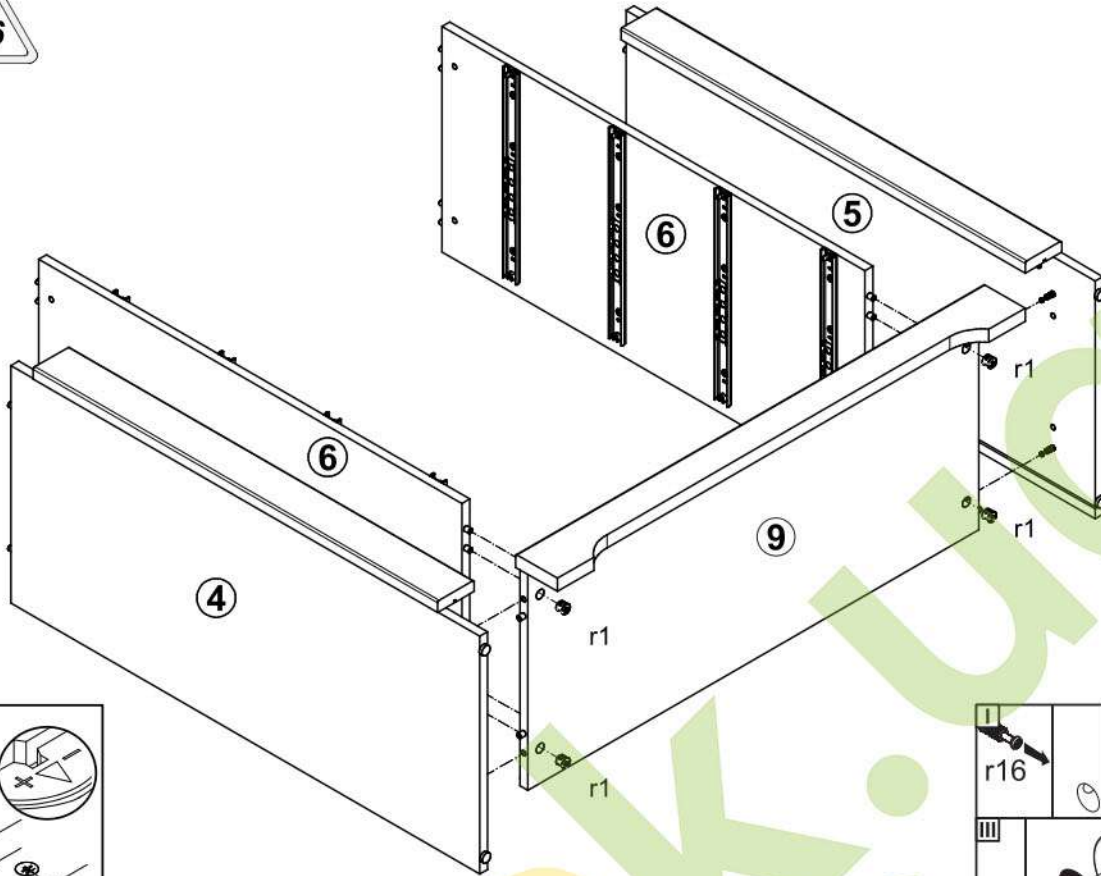


2

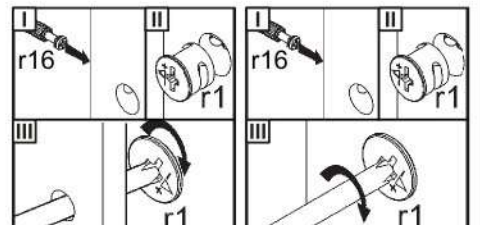
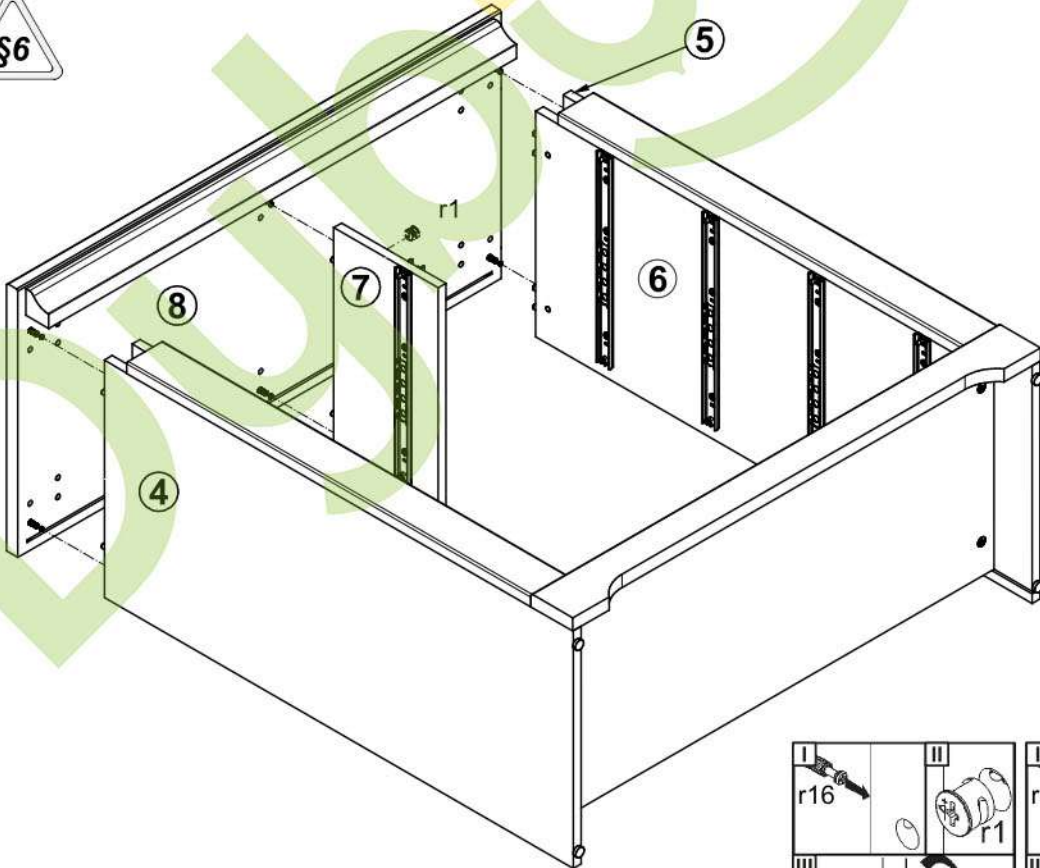




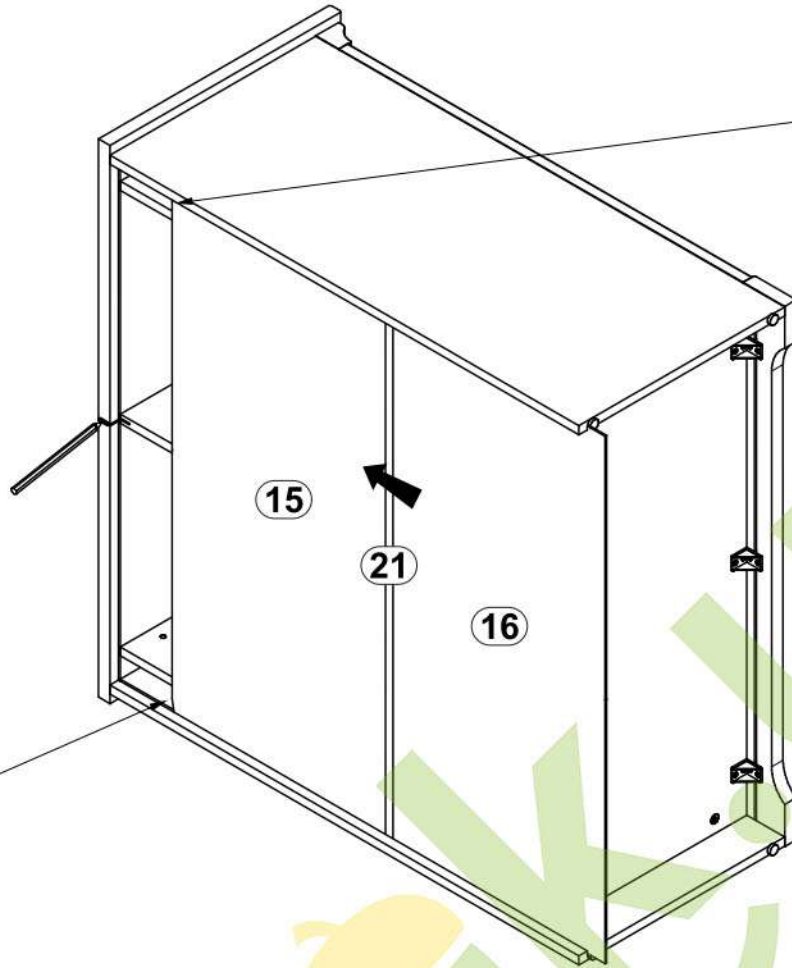
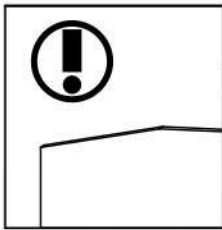
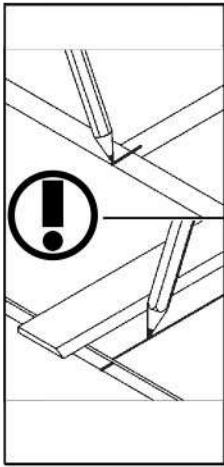
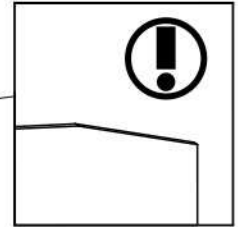
6



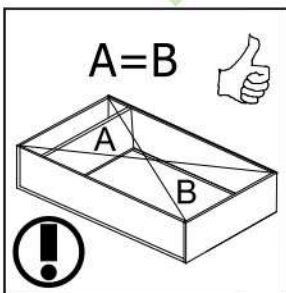
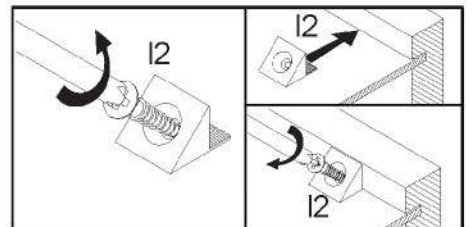
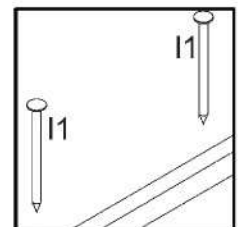
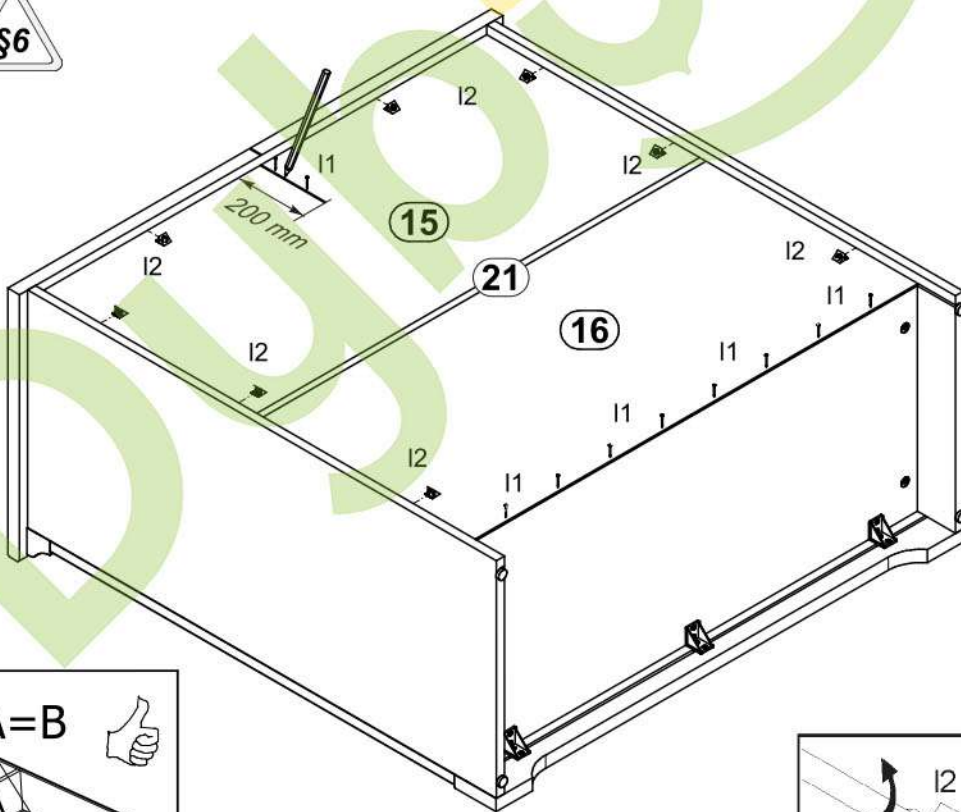
7



8



9



10

