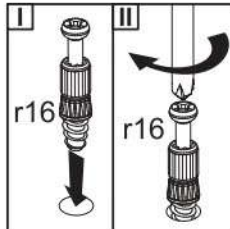
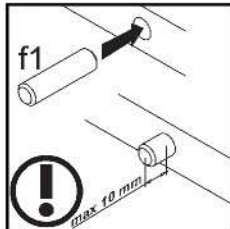
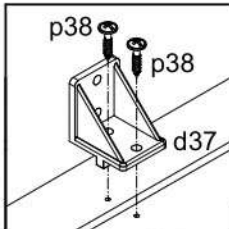
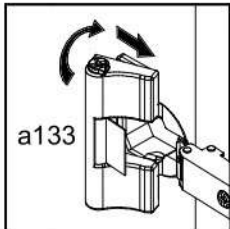
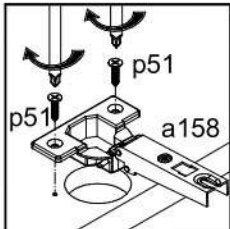
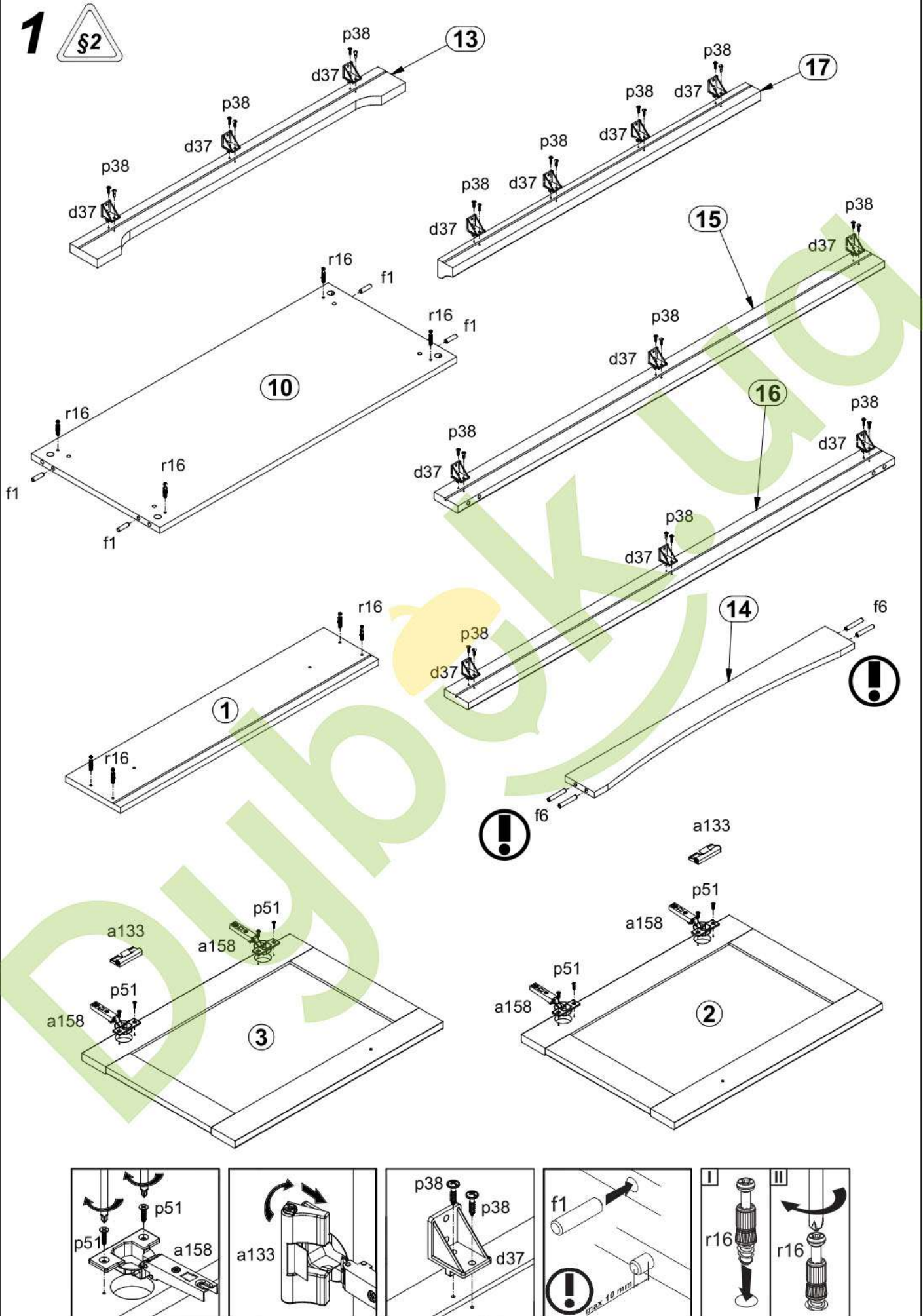


| A | B | C | D | |
|----|----------|------|-----|-----|
| 1 | S405-012 | 753 | 160 | 2/2 |
| 2 | S405-013 | 606 | 448 | 2/2 |
| 3 | S405-014 | 606 | 448 | 2/2 |
| 4 | S405-118 | 2050 | 395 | 1/2 |
| 5 | S405-119 | 2050 | 395 | 1/2 |
| 6 | S405-120 | 140 | 375 | 2/2 |
| 7 | S405-121 | 140 | 375 | 2/2 |
| 8 | S405-208 | 928 | 445 | 2/2 |
| 9 | S405-310 | 866 | 375 | 1/2 |
| 10 | S405-311 | 866 | 375 | 1/2 |
| 11 | S405-313 | 866 | 365 | 2/2 |
| 12 | S405-312 | 866 | 365 | 2/2 |
| 13 | S405-403 | 900 | 80 | 2/2 |
| 14 | S405-414 | 759 | 97 | 2/2 |
| 15 | S405-412 | 1313 | 70 | 2/2 |
| 16 | S405-413 | 1313 | 70 | 2/2 |
| 17 | S405-552 | 900 | 44 | 2/2 |
| 18 | S405-913 | 717 | 349 | 2/2 |
| 19 | S405-914 | 1983 | 439 | 1/2 |
| 20 | S405-915 | 1983 | 439 | 1/2 |
| 21 | S405-511 | 350 | 120 | 1/2 |
| 22 | S405-512 | 350 | 120 | 1/2 |
| 23 | S405-510 | 702 | 120 | 2/2 |
| 24 | LH-1961 | 1961 | 14 | 1/2 |

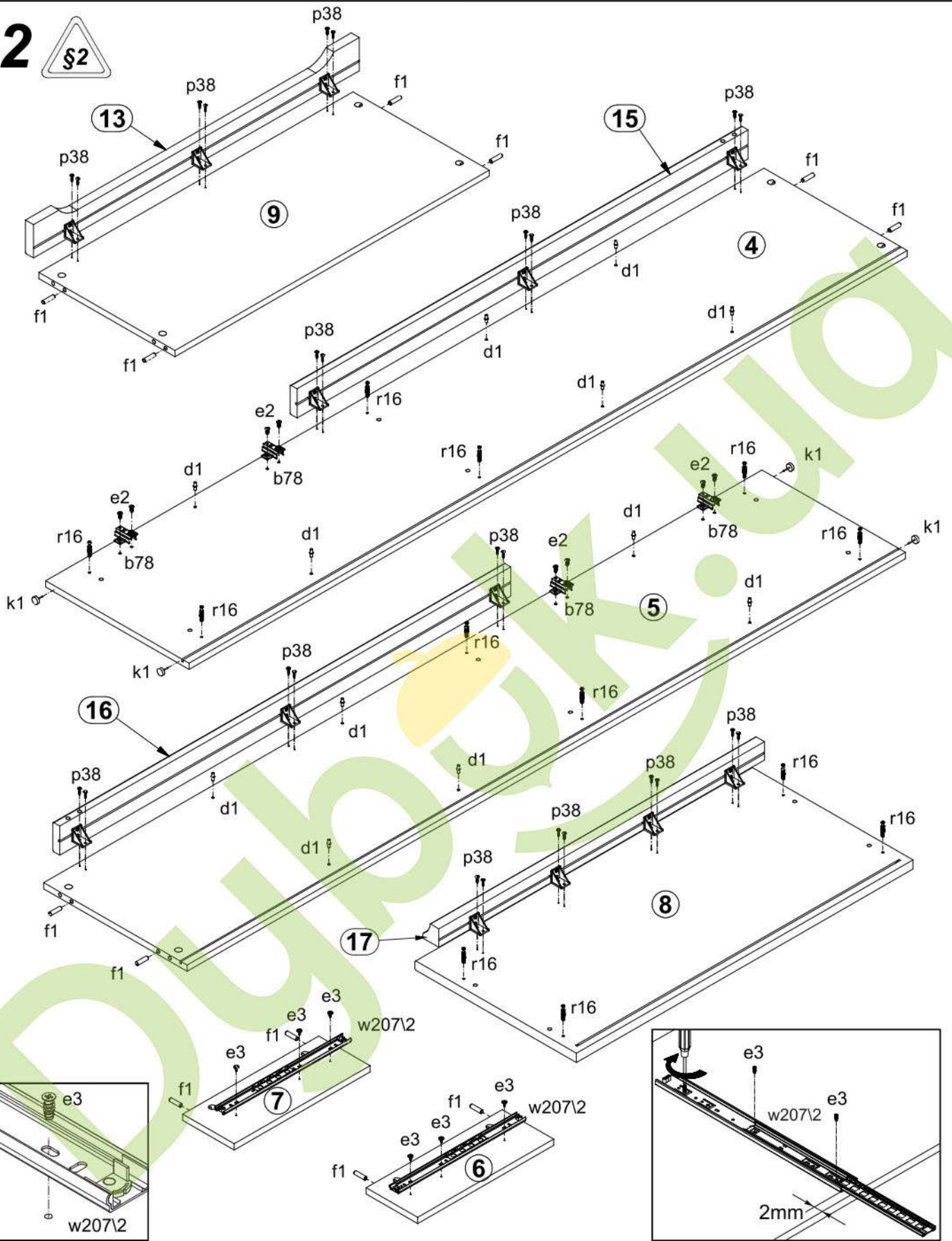


| | | | | | | | |
|-----------------|------------------|------------------|------------------|------------------|---------------|----------------|---------------|
| 2x a133 | 4x a158 | 4x b78 | 4x c477/1 | 4x c477/2 | 12x d1 | 13x d37 | 8x e2 |
| 6x e3 | 4x e32 | 16x f1 | 4x f6 | 4x j11 | 4x k1 | 20x l1 | 14x l2 |
| 1x n26/1 | 2x p25 | 53x p38 | 8x p51 | 6x p140 | 16x r1 | 16x r16 | 10x s2 |
| 1x t19 | 2x w207/1 | 2x w207/2 | | | | | |

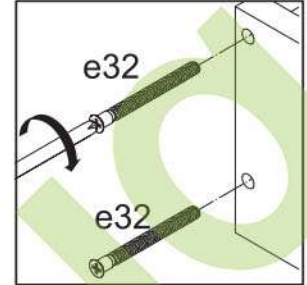
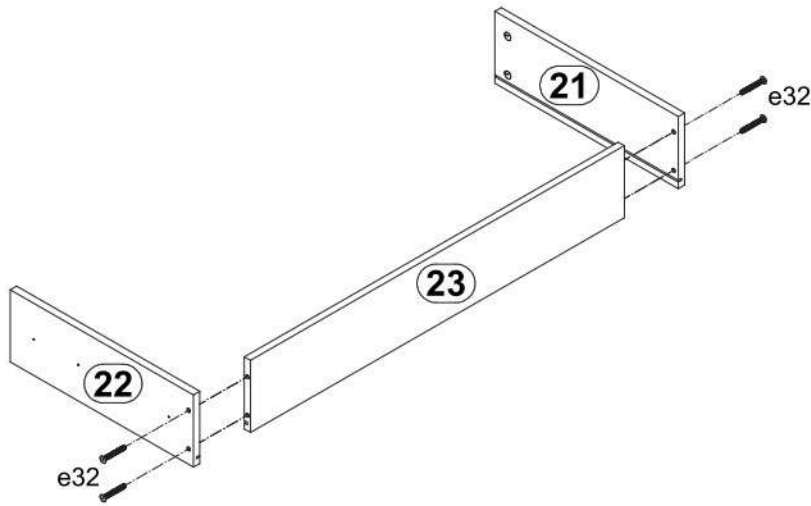
1



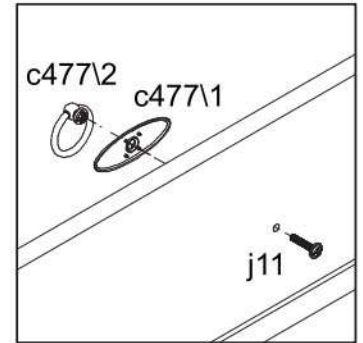
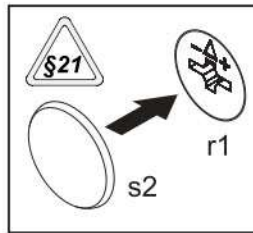
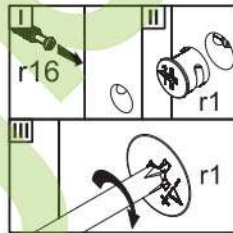
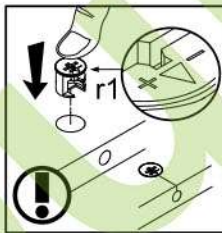
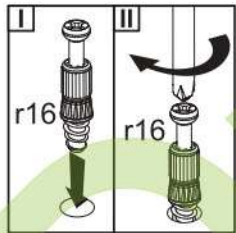
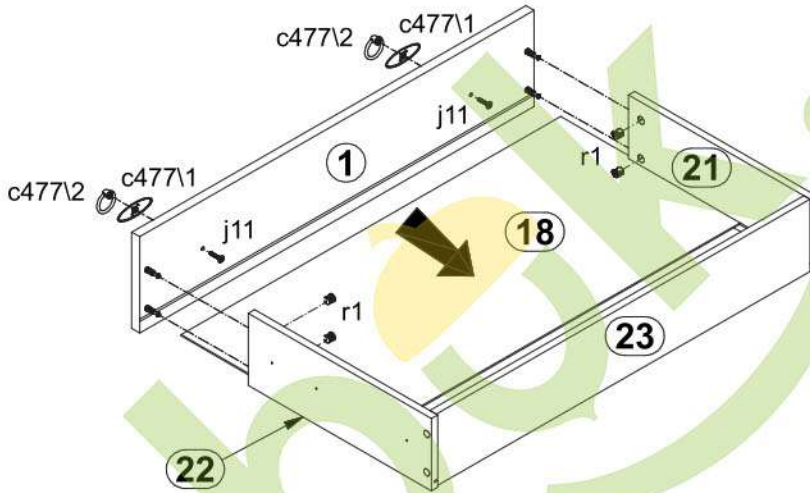
2



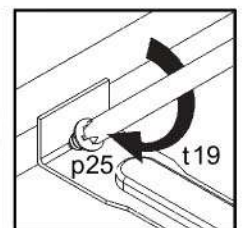
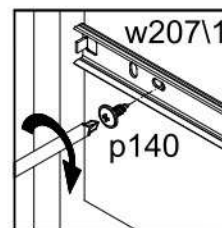
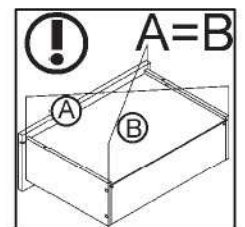
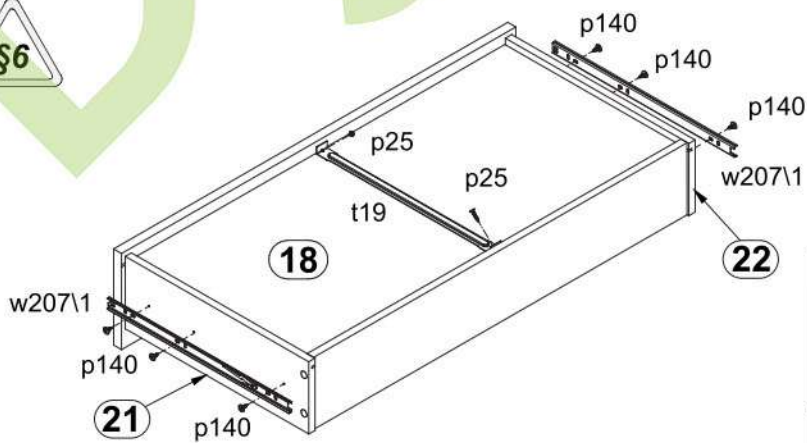
3



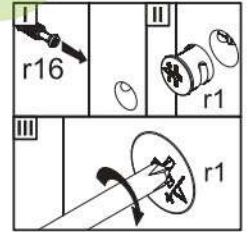
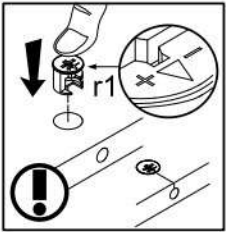
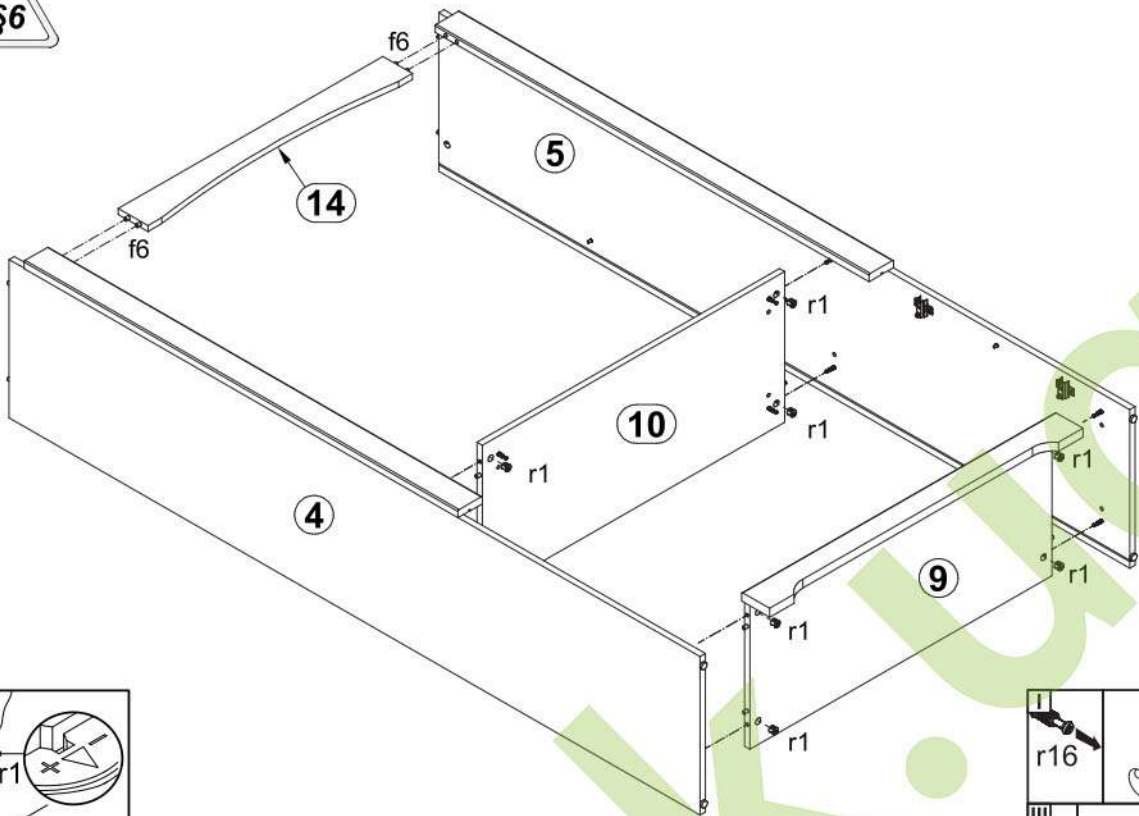
4



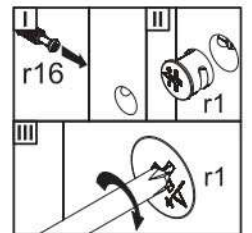
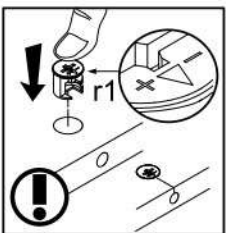
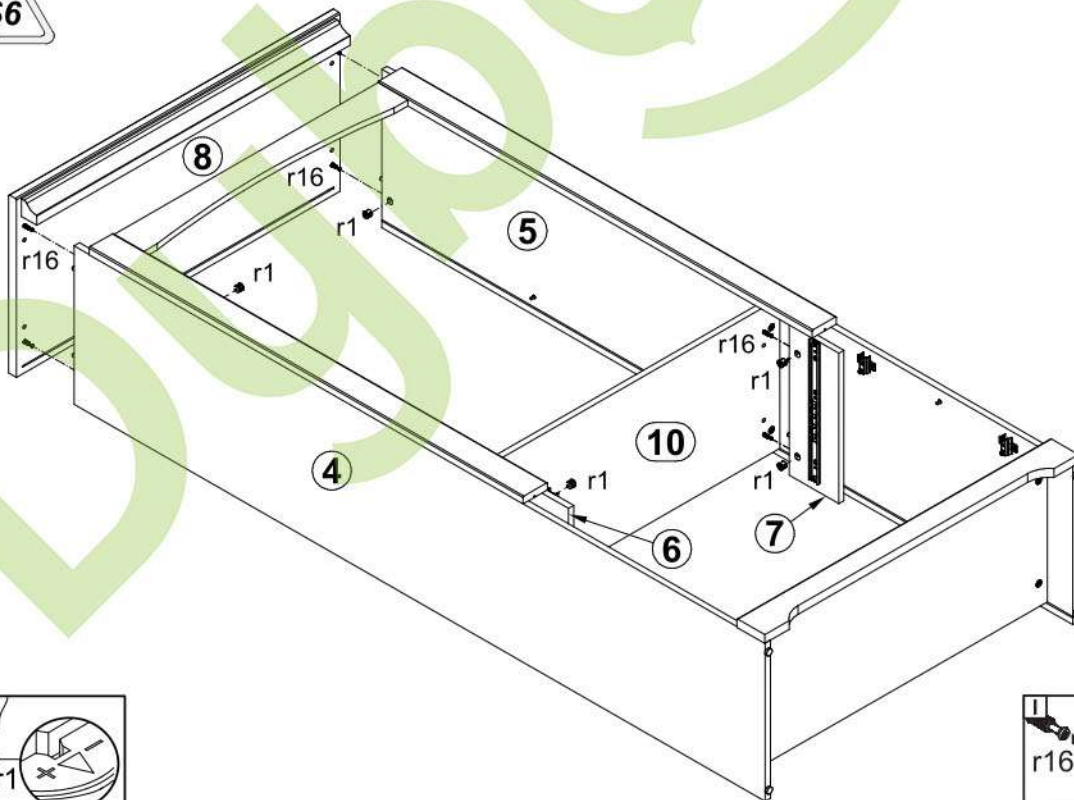
5



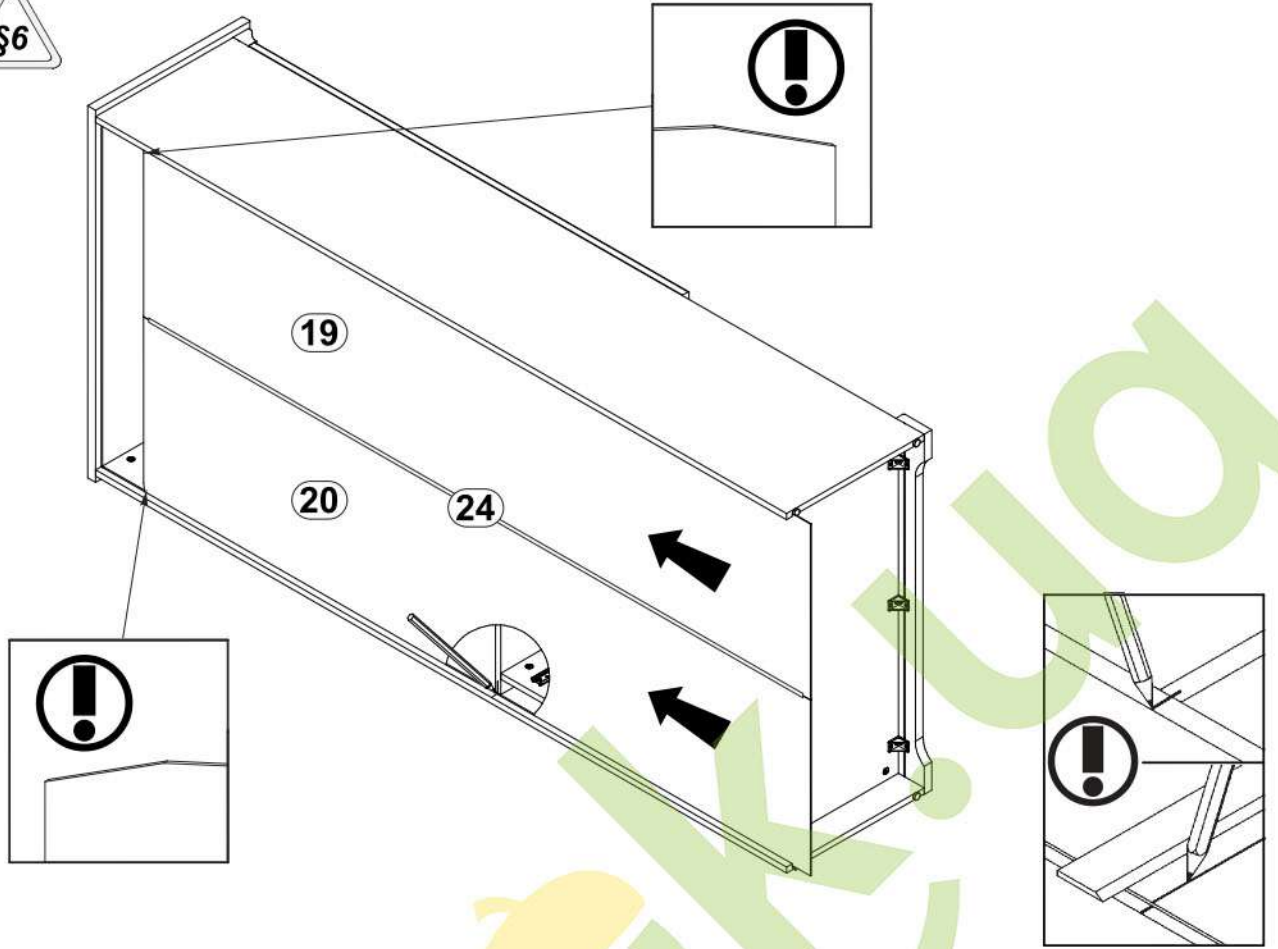
6



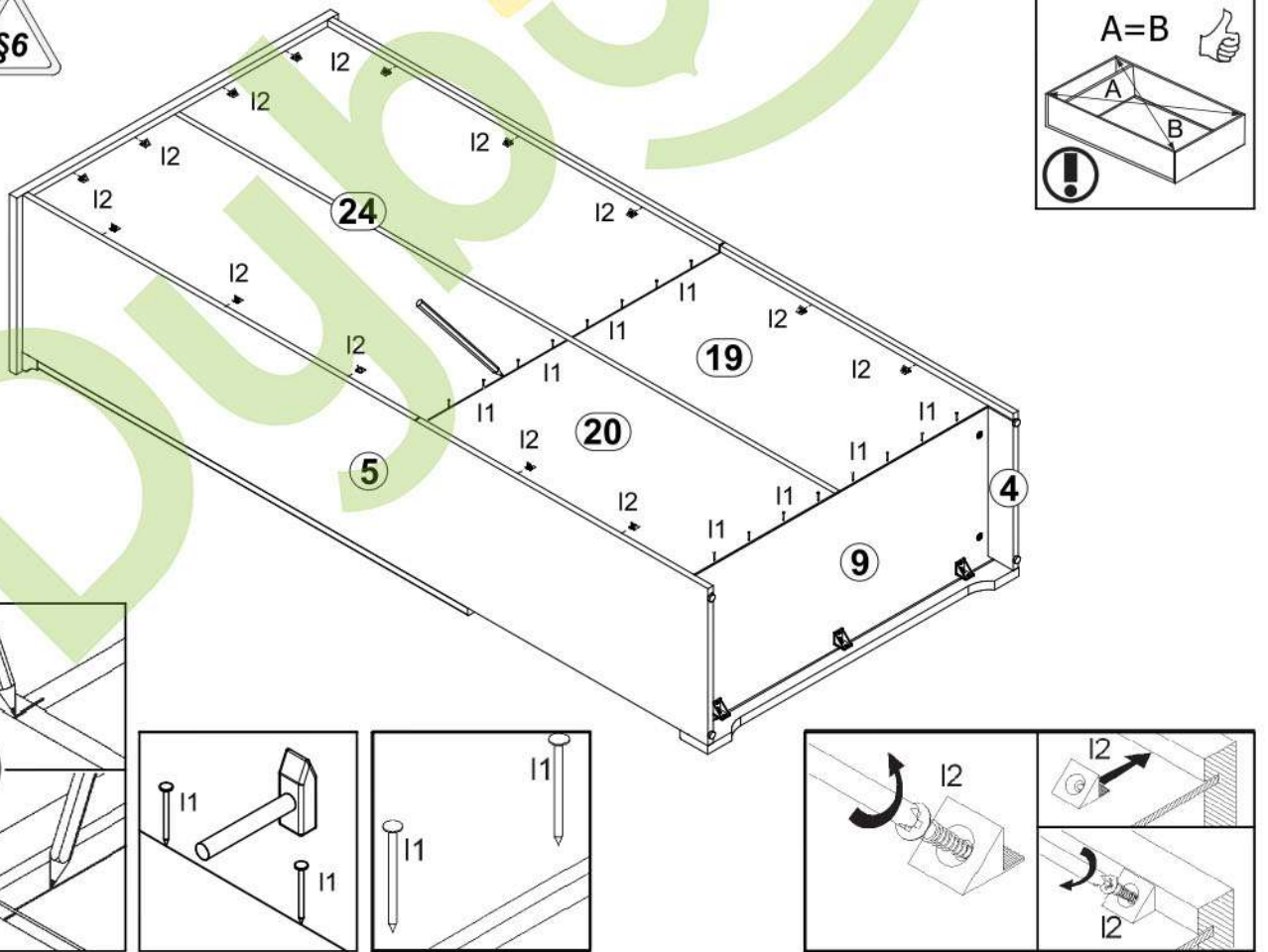
7



8



9



10

