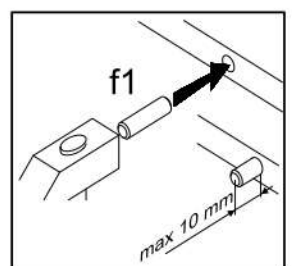
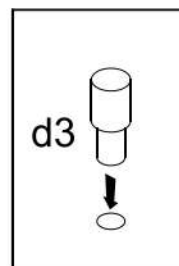
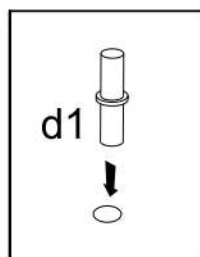
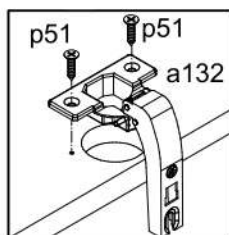
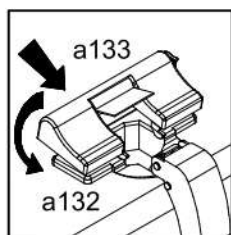
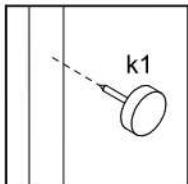
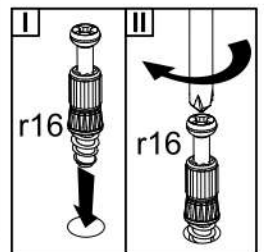
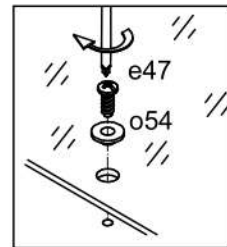
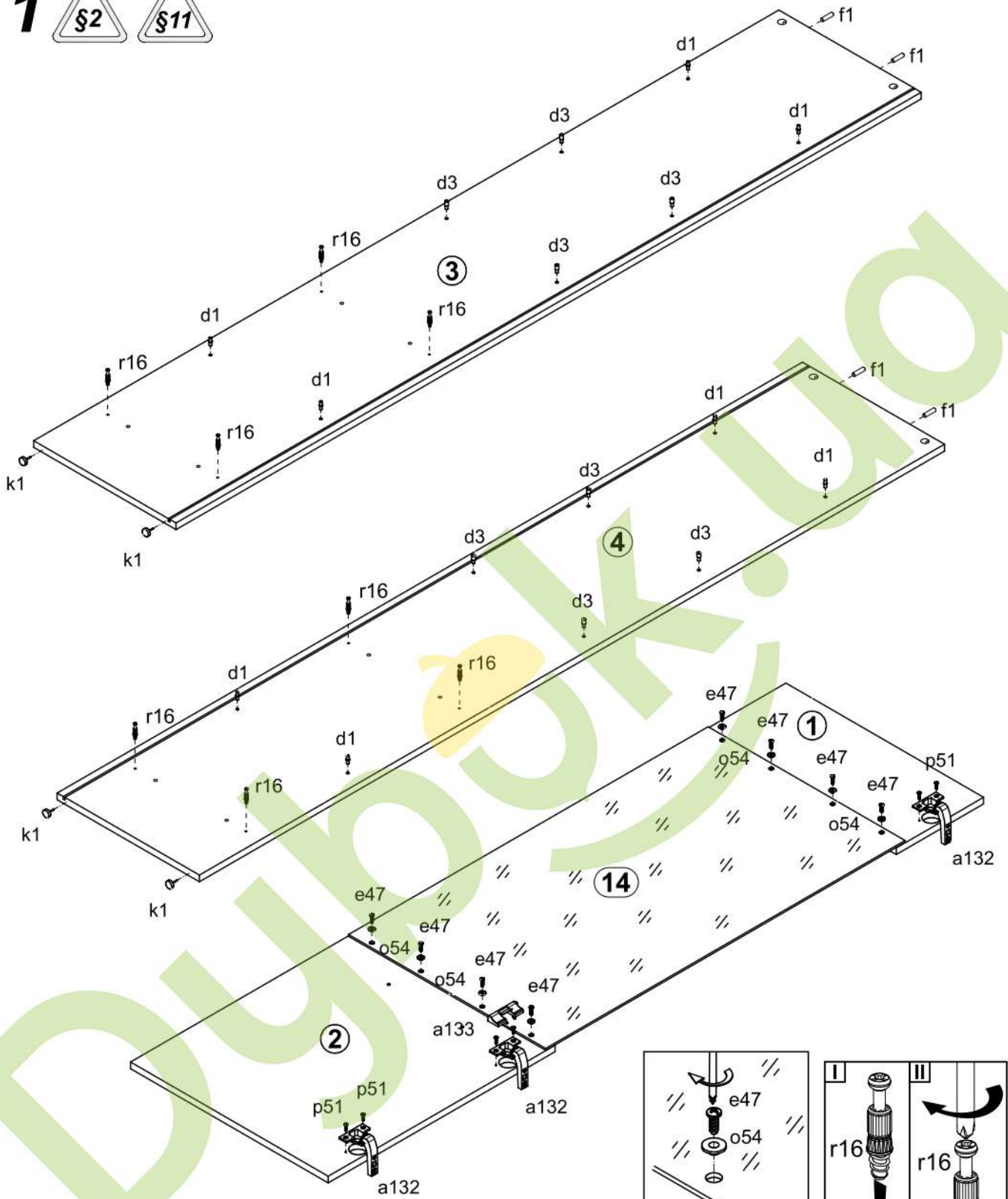


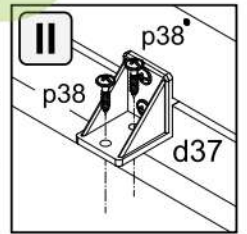
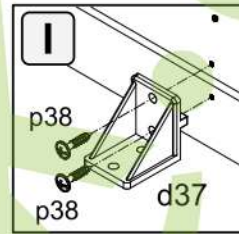
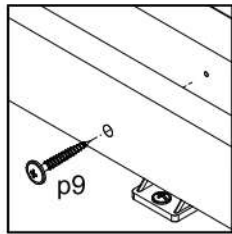
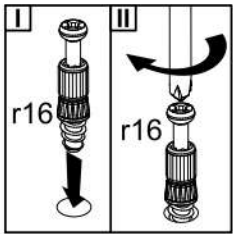
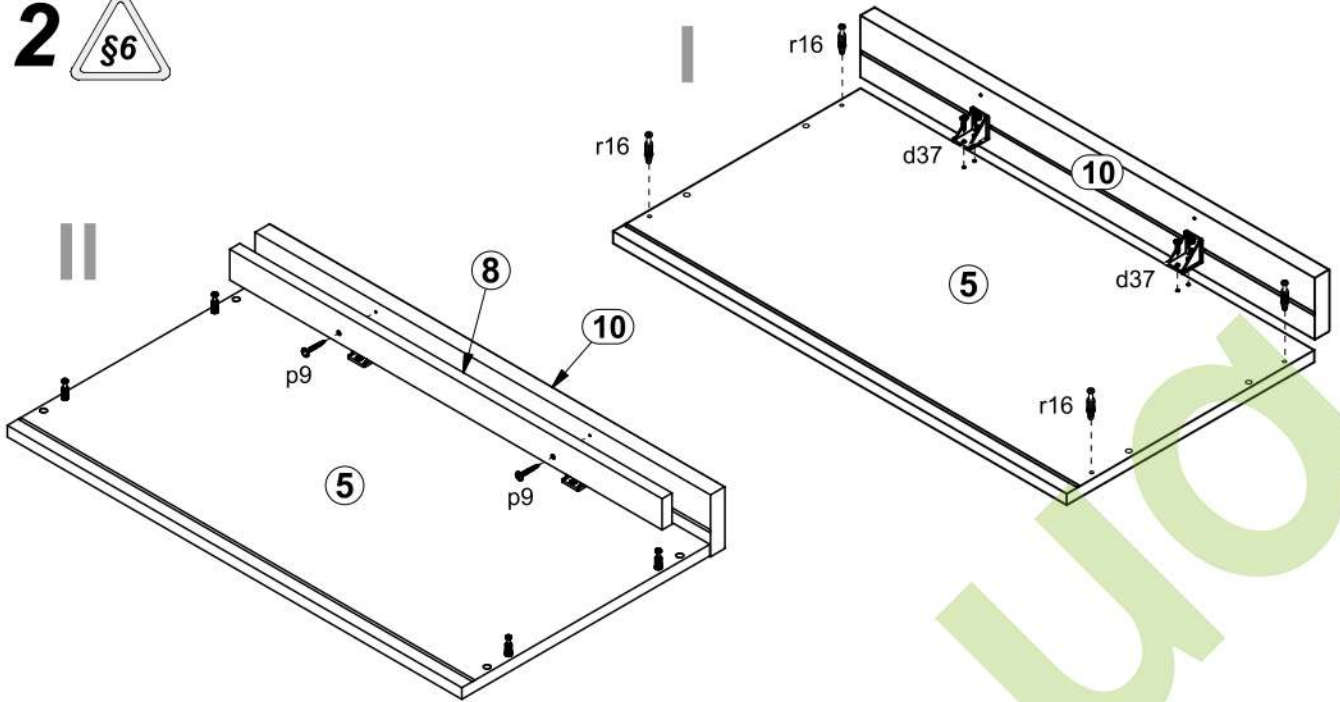
A	B	C	D	
1	BN1-008	516	228	1/2
2	BN1-007	516	592	1/2
3	BN1-108	1944	371	1/2
4	BN1-109	1944	371	1/2
5	BN1-203	679	371	2/2
6	BN1-310	646	351	2/2
7	BN1-311	646	345	2/2
8	BN1-405	644	40	2/2
9	BN1-312	644	335	2/2
10	BN1-512	680	80	2/2
11	BN1-513	1870	80	1/2
12	BN1-514	1870	80	1/2
13	BN1-515	520	80	2/2
14	BN1-5502	938	514	1/2
15	BN1-907	1799	330	1/2
16	BN1-908	1799	330	1/2
17	LH-1780	1780		1/2

3x a132	1x a133	3x b43	1x L=212 mm c329/2	8x φ5x16 mm d1	8x φ5x17 mm d3	14x d37	6x φ6,3x13 mm e2
8x φ5x16 mm e47	12x φ8x30 mm f1	4x k1	2x k123	15x l1	12x l2	1x n26/1	2x o43/8
1x o43/6	8x φ5,3/φ8,3x4,8 mm o54	4x φ2,9x20 mm p3	2x φ4x25 mm p8	2x φ4x30 mm p9	57x φ3,5x16 mm p38	6x φ3,5x15 mm p51	
12x φ15x12 mm #16 r1	12x r16	4x φ16 s2					

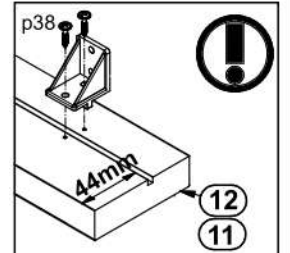
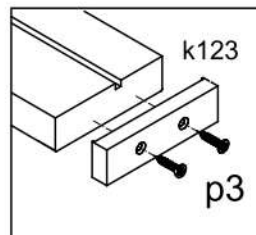
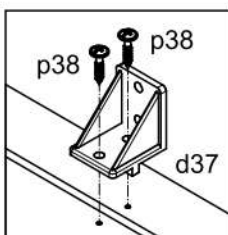
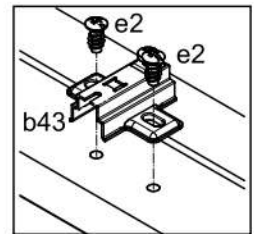
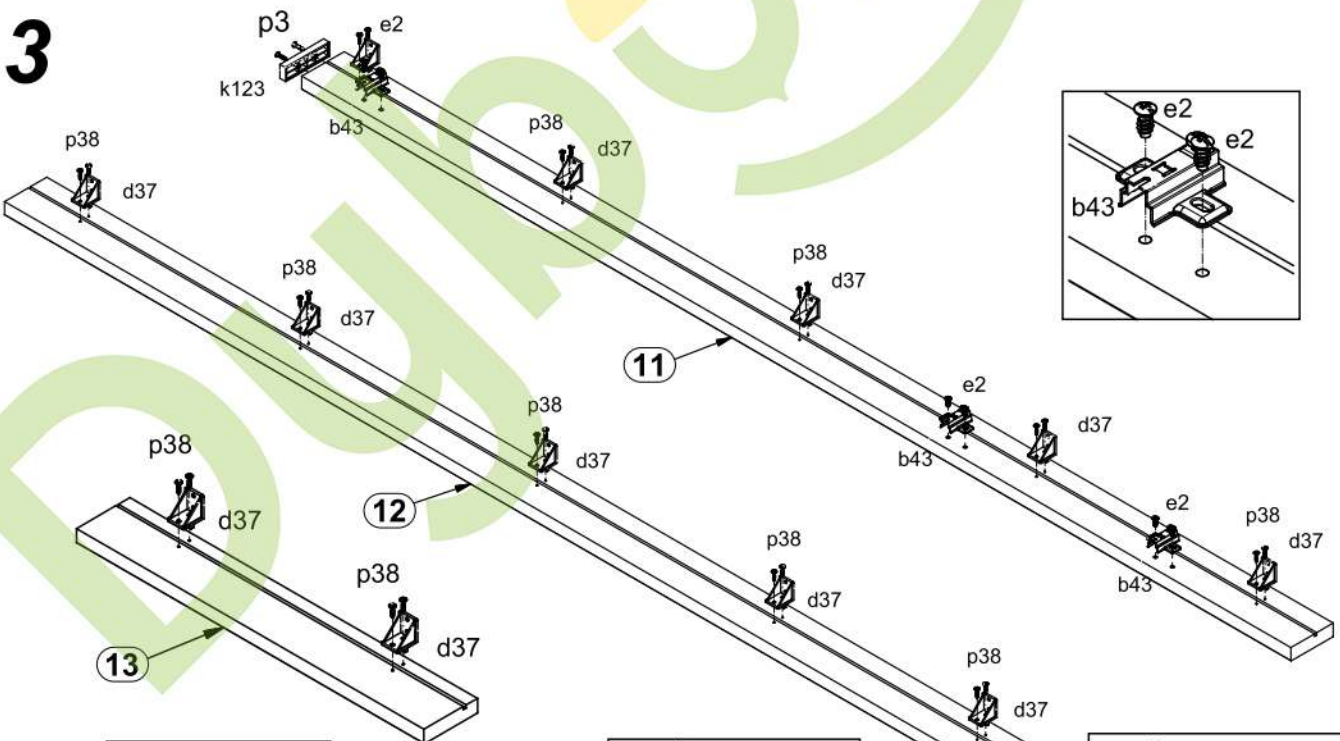
1



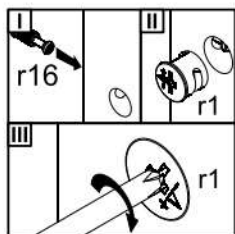
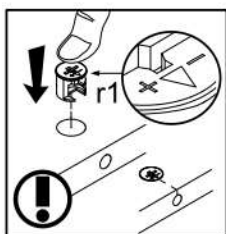
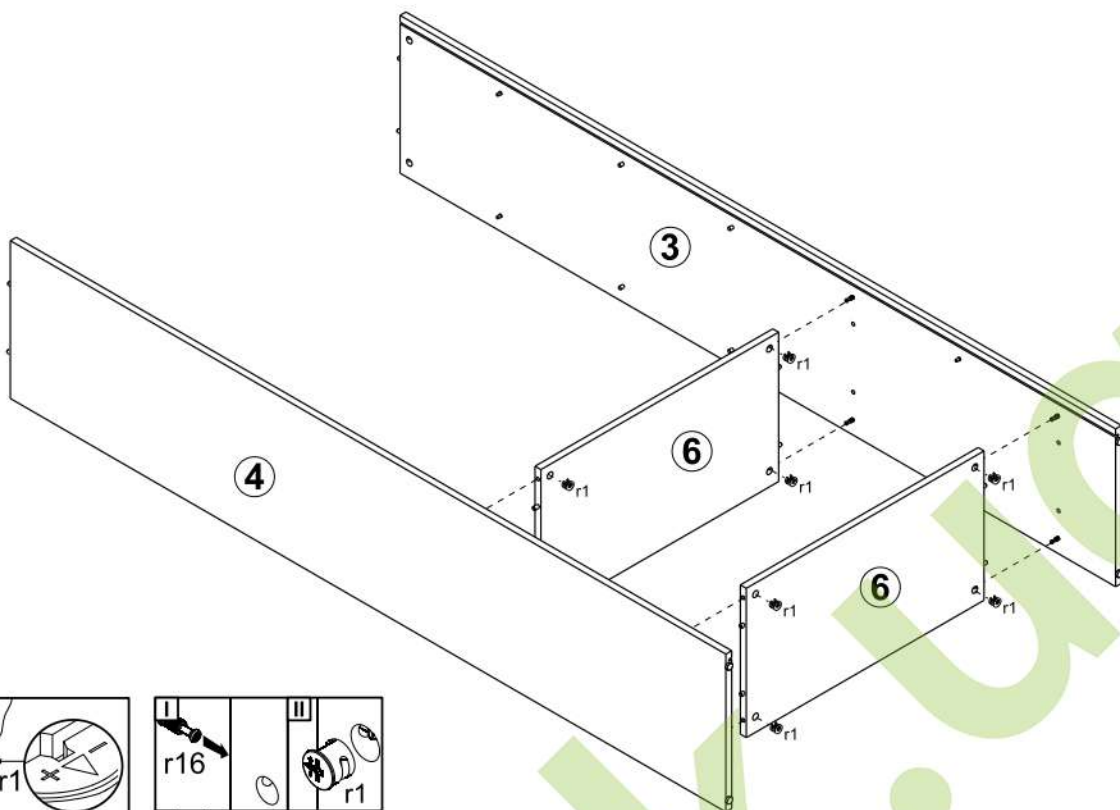
2 



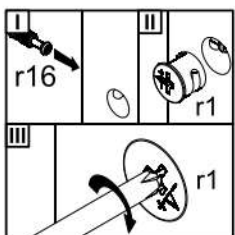
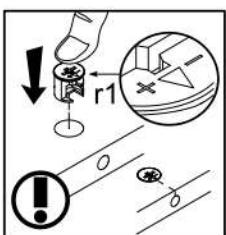
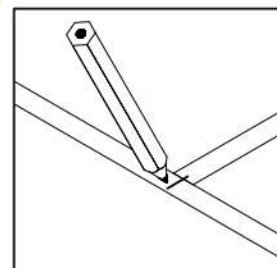
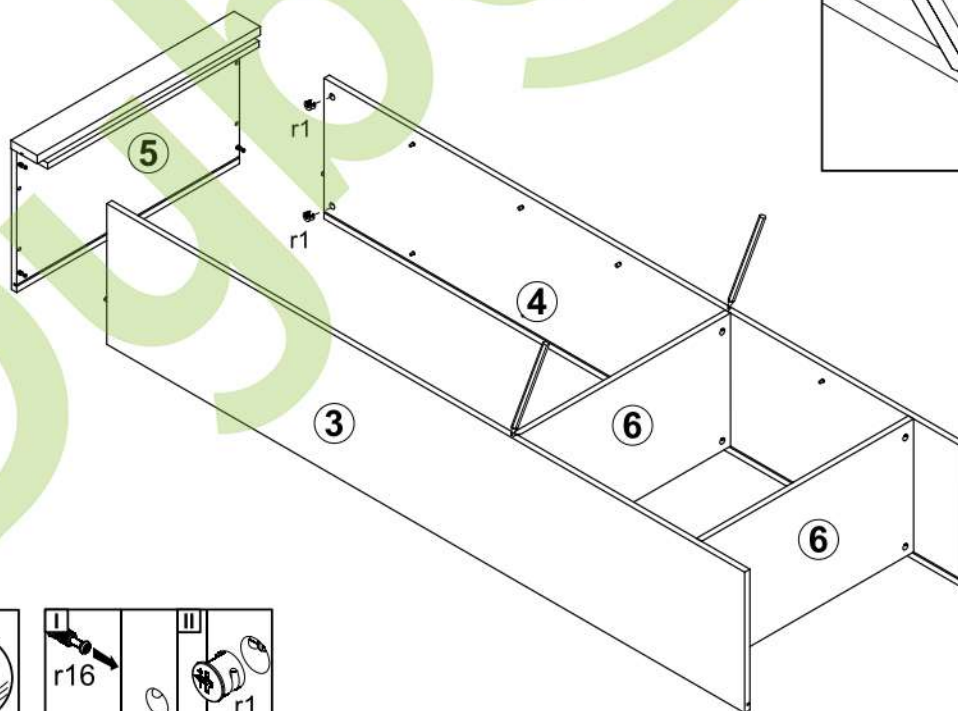
3



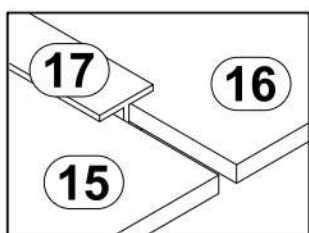
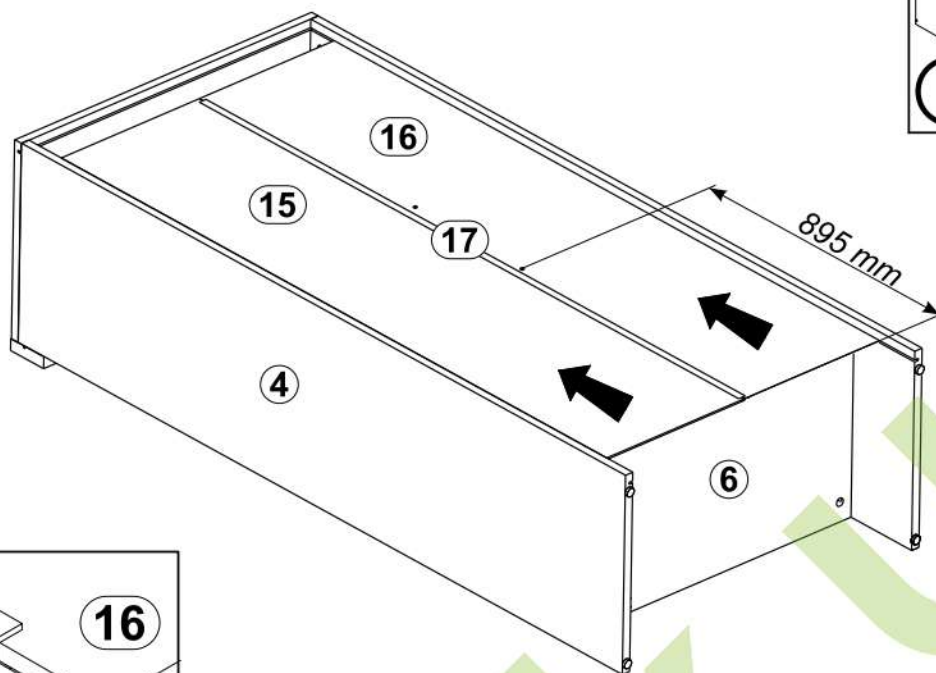
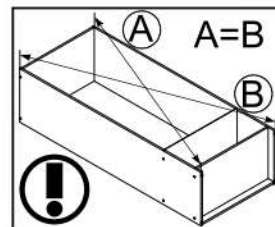
4



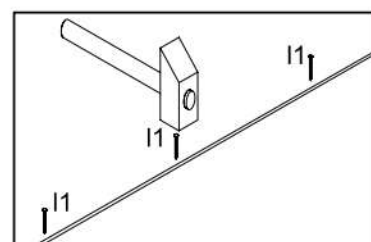
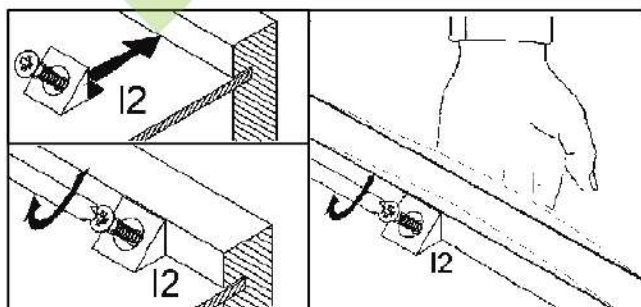
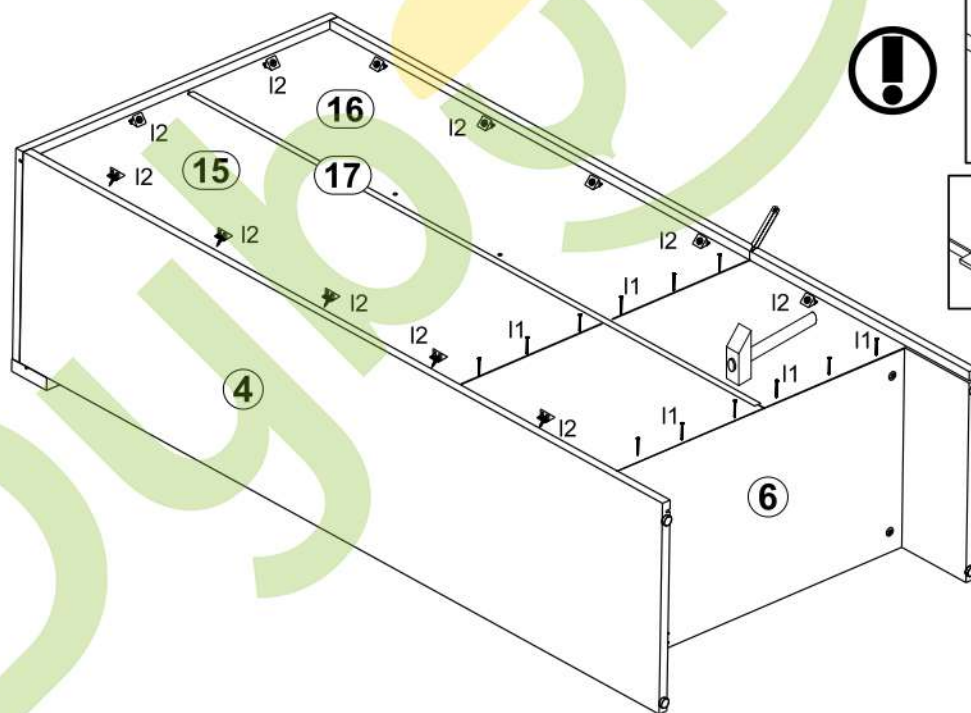
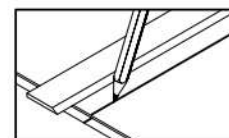
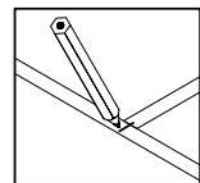
5



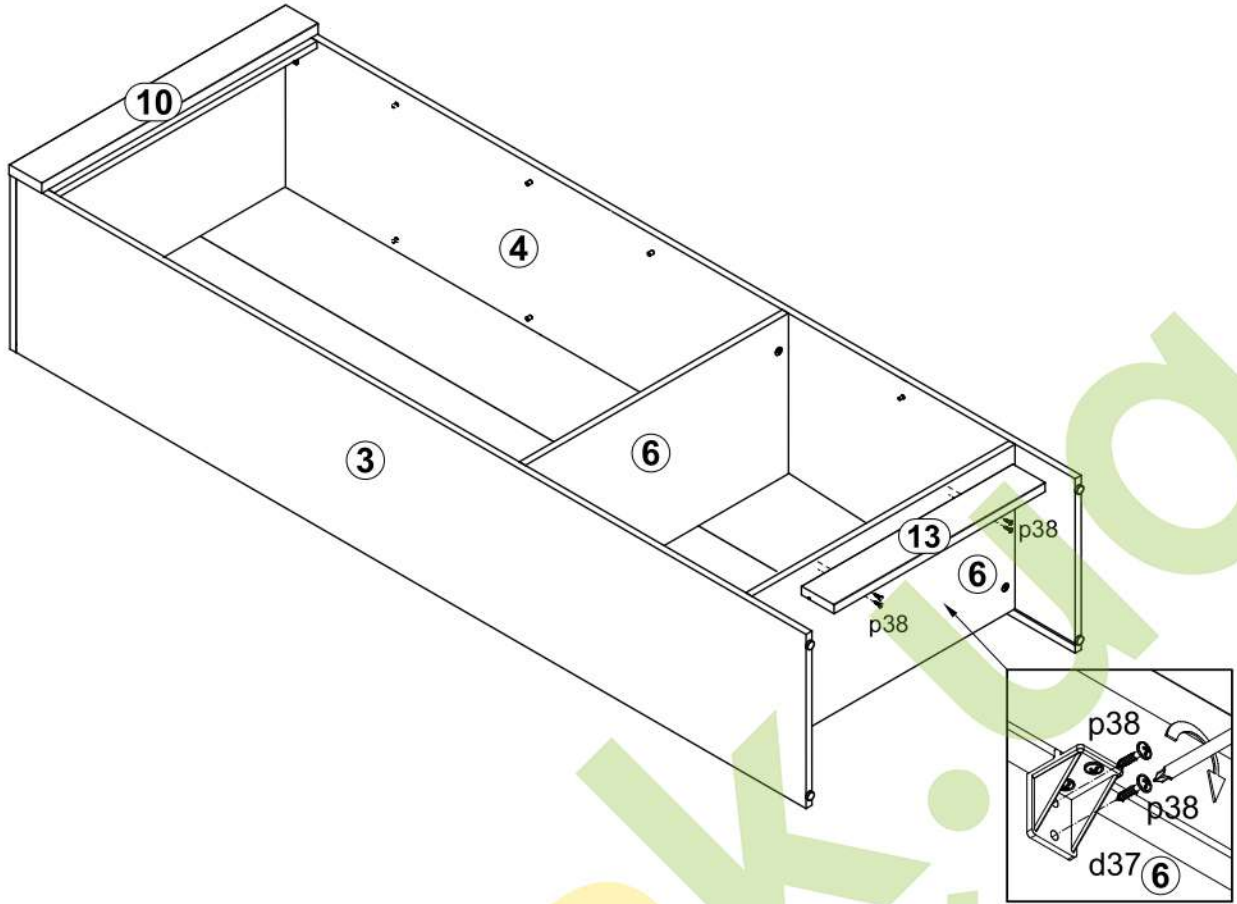
6



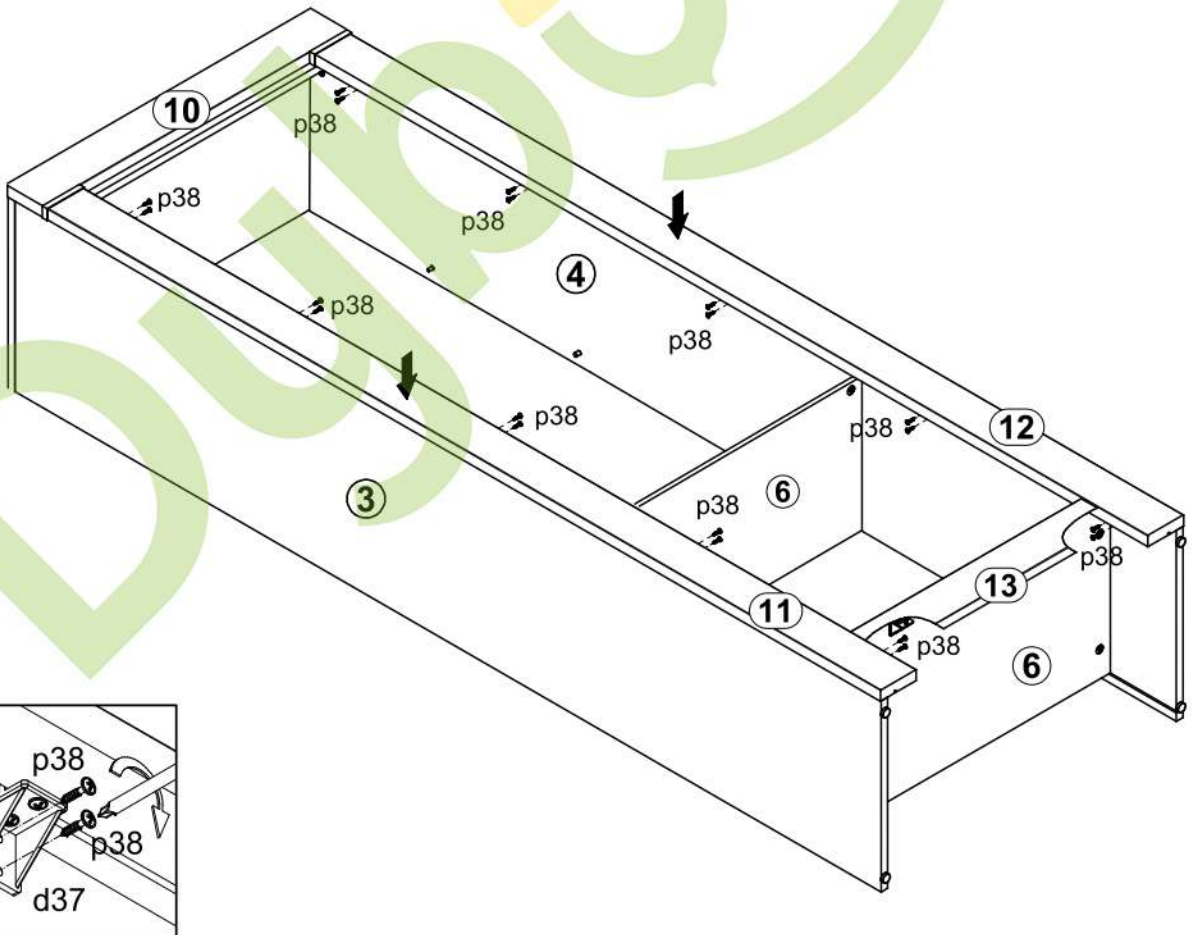
7



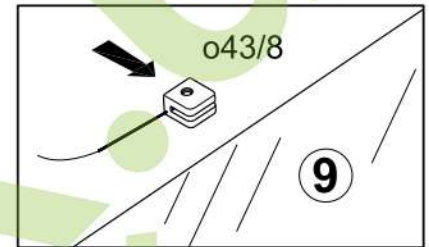
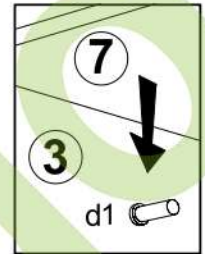
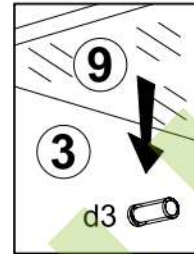
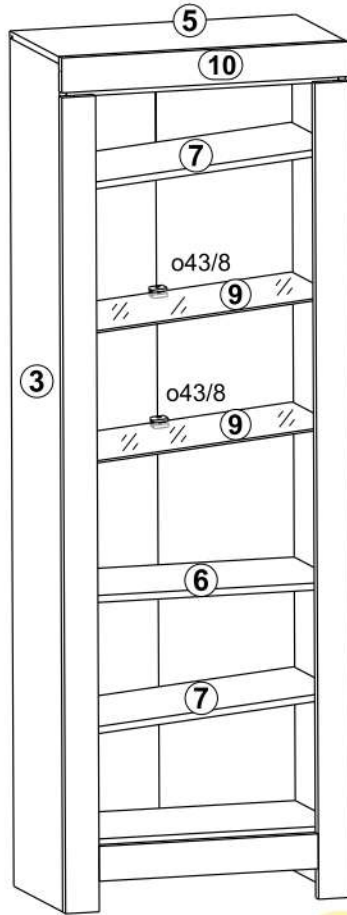
8



9



10



11

