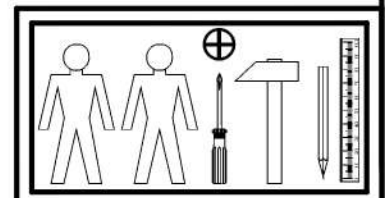
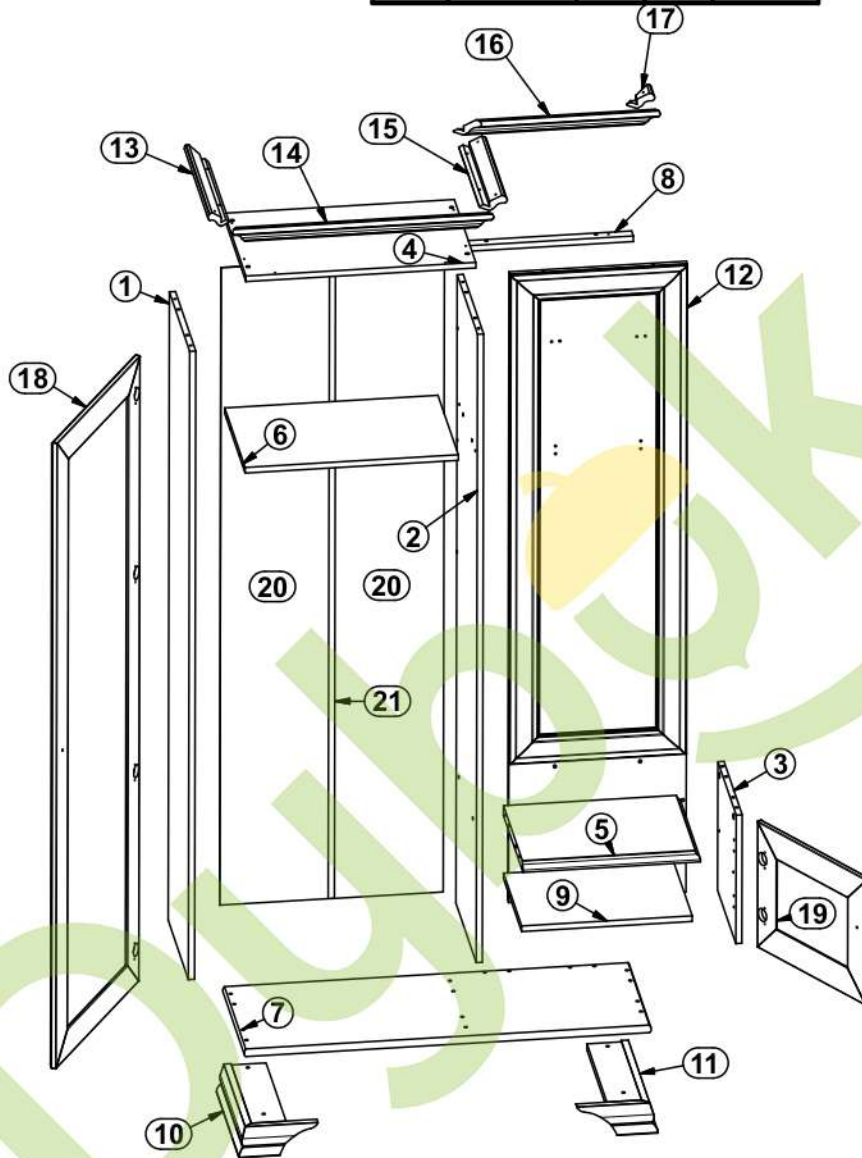
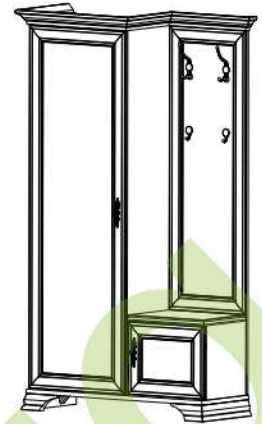


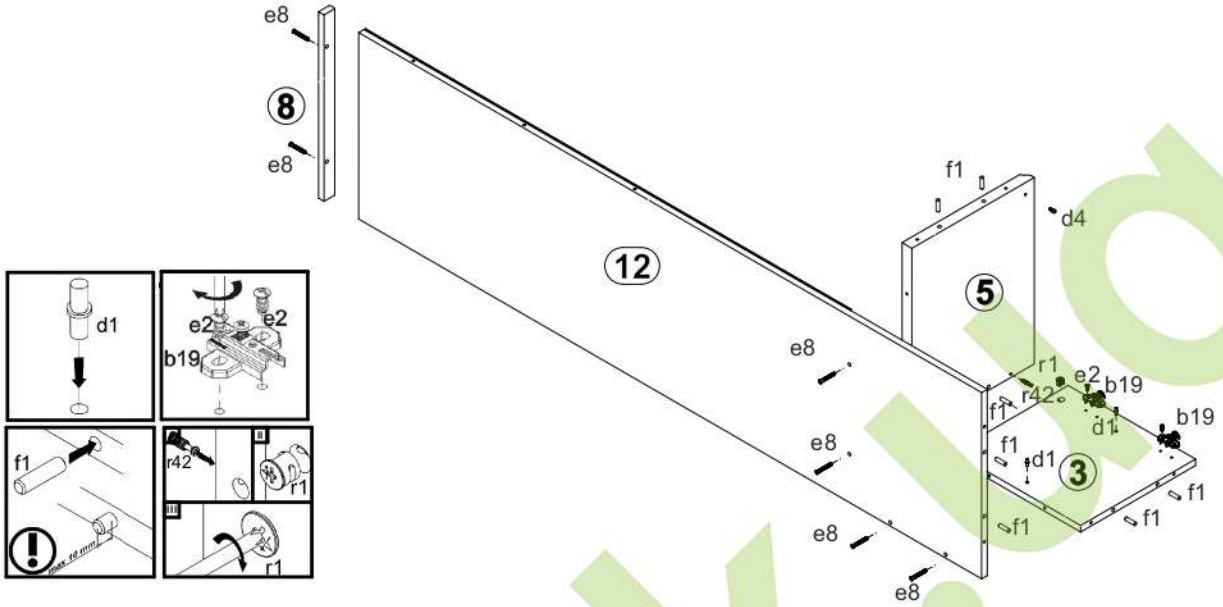
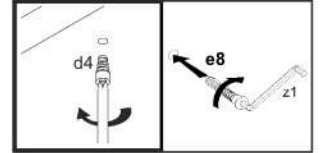
S320-PPK/110L

| A | B | C | D | A | B | C | D | | |
|----|----------|------|-----|-----|----|-------------|------|-----|-----|
| 1 | S320-158 | 1800 | 370 | 1/7 | 11 | S320-514 | 408 | 210 | 5/7 |
| 2 | S320-160 | 1800 | 370 | 1/7 | 12 | S320-249 | 1800 | 466 | 2/7 |
| 3 | S320-159 | 368 | 332 | 3/7 | 13 | S320-587 | 433 | 80 | 4/7 |
| 4 | S320-248 | 599 | 392 | 3/7 | 14 | S320-585 | 681 | 80 | 4/7 |
| 5 | S320-251 | 466 | 354 | 3/7 | 15 | S320-586 | 433 | 80 | 4/7 |
| 6 | S320-332 | 555 | 370 | 3/7 | 16 | S320-588 | 534 | 80 | 4/7 |
| 7 | S320-247 | 1064 | 392 | 3/7 | 17 | S320-527 | 64 | 80 | 4/7 |
| 8 | S320-252 | 466 | 33 | 3/7 | 18 | S320-0041/A | 1792 | 581 | 7/7 |
| 9 | S320-333 | 448 | 328 | 3/7 | 19 | S320-0040 | 360 | 459 | 6/7 |
| 10 | S320-513 | 408 | 210 | 5/7 | 20 | S320-1937 | 1826 | 583 | 1/7 |
| | | | | | 21 | Lh-1794 | 1794 | 14 | 1/7 |

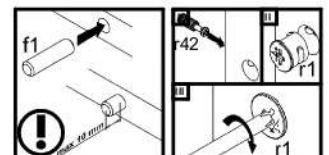
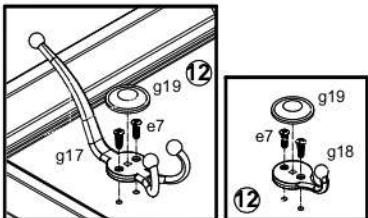
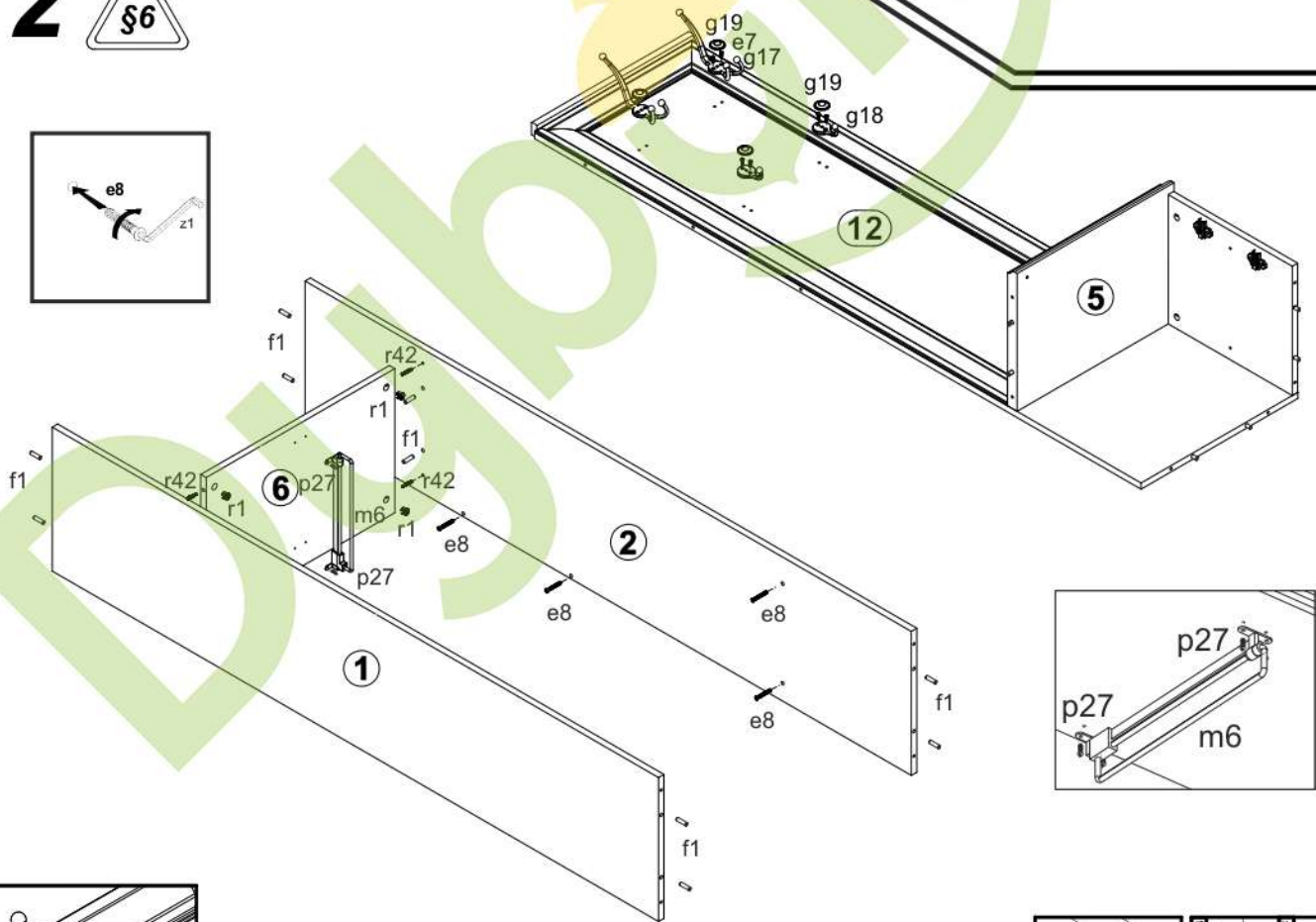
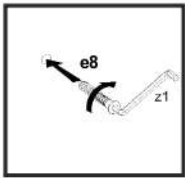


| | | | | | | | |
|-------------------------|------------------------|---------------------------|-----------------------|--------------------------------|------------------------|----------------------|--------------------------|
| 12x φ6.3x13 mm e2 | 50x l1 | 6x φ1.5x12mm #16 r1 | 20x φ8x30 mm f1 | 1шт. L-300 m6 | 4шт. x13 mm p27 | 2x c35\1 | 2x c35\2 |
| 4шт. x17 mm d1 | 4x φ7x35 mm e26 | 23x φ7x60 mm e8 | 8x φ4x25 mm p8 | 4x 26x26x16\1 - 12\1 n40 | 8x φ3x7 mm p46 | 2x M4x30 mm j6 | 6x a44 |
| 1шт. x60 mm p17 | 1x n26 | 1шт. x50 mm f35 | 6x ø16 s2 | 1x φ3.5x16 mm p38 | 5шт. s1 | 6x b19 | 12x φ3.5x15 mm p51 |
| 1шт. z1 | 1x φ6.3x15 mm d4 | 6x r42 | 2x g17 | 2x g18 | 8x φ6.3x16 mm e7 | 4x g19 | |

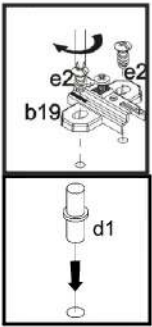
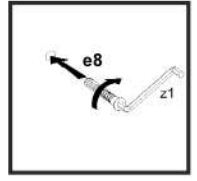
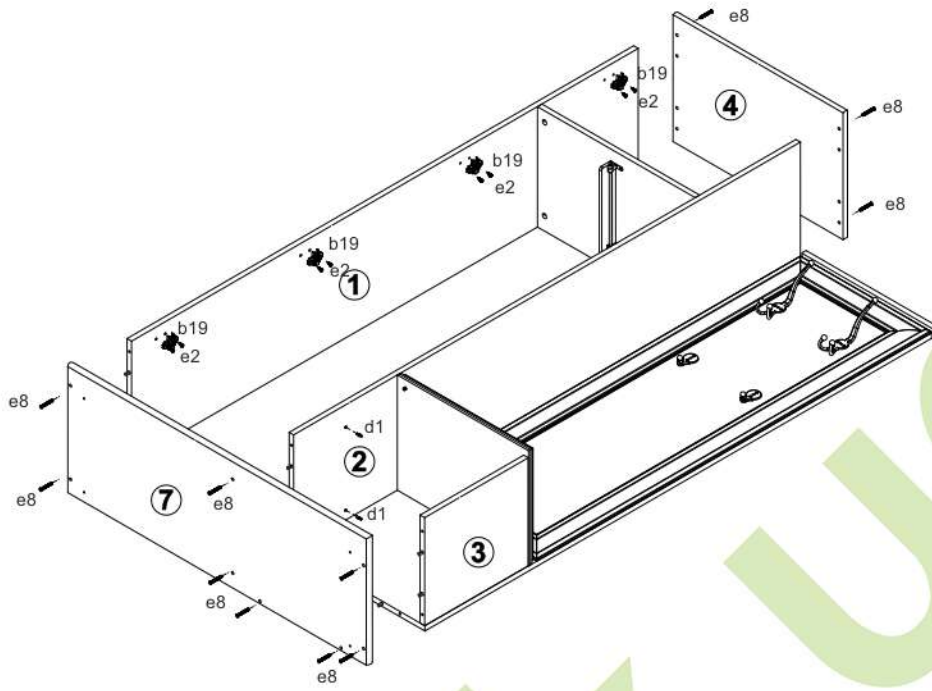
1



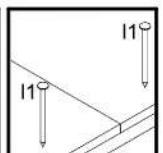
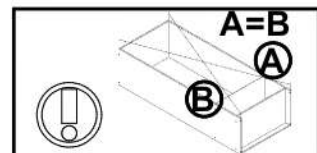
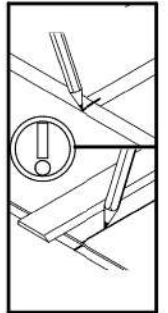
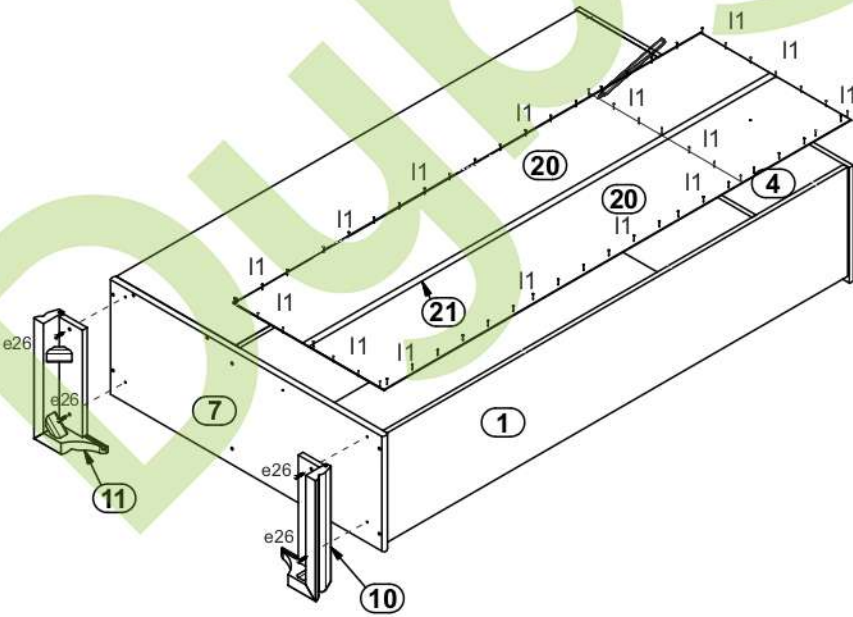
2



3



4



5

