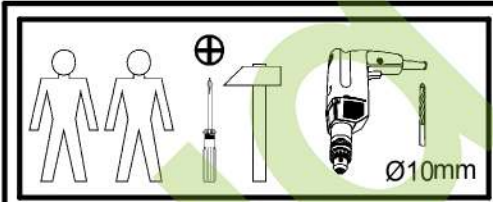
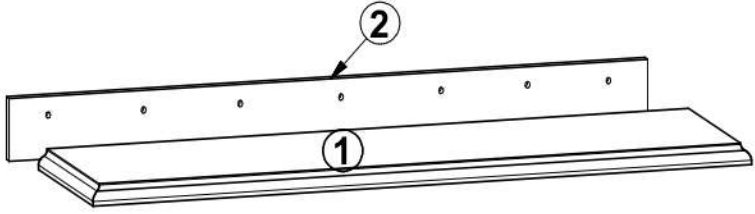
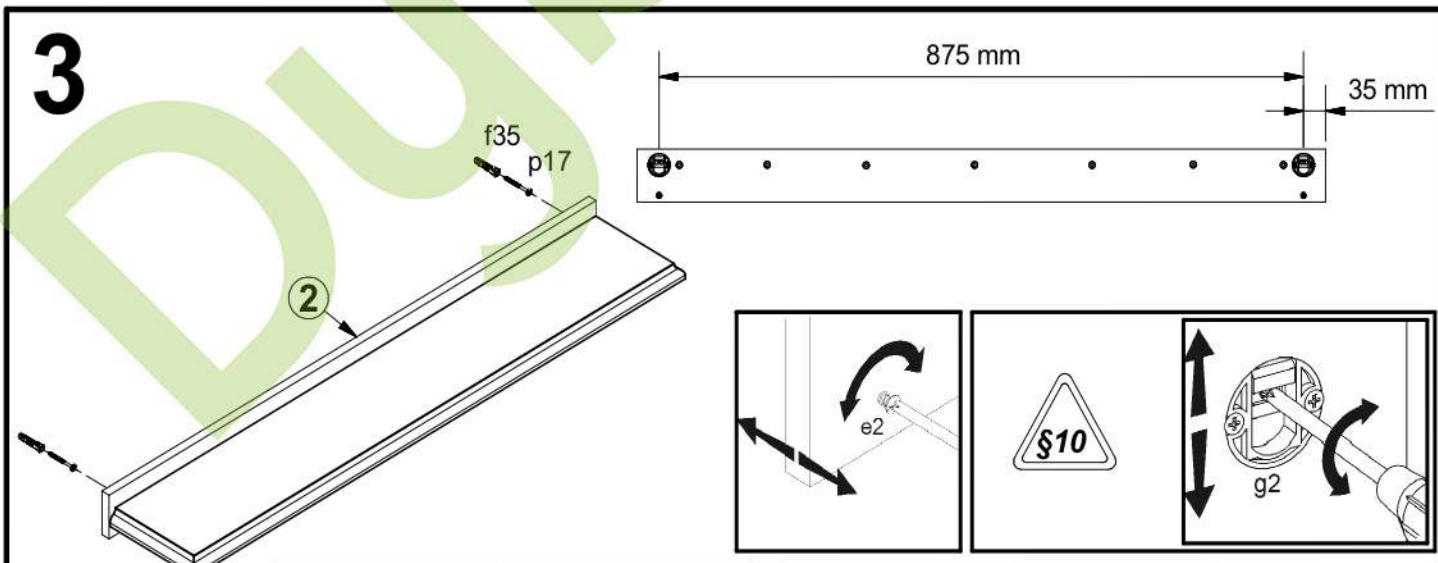
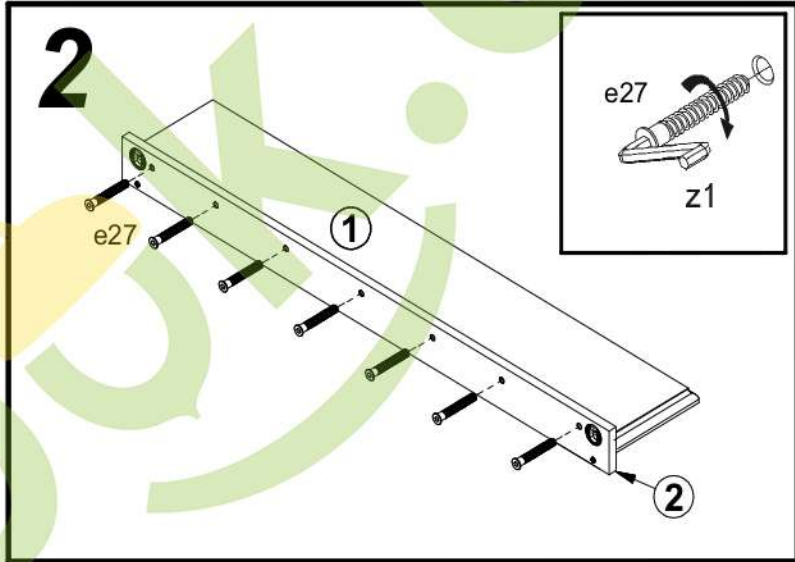
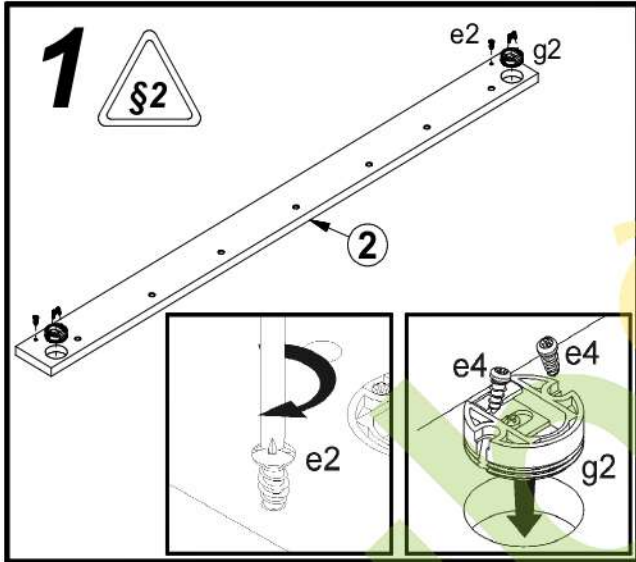


S320-POL/95

A	B	C	D
1	S320-327	945	250
2	S320-471	945	90



- 7x e27 φ7x70 mm
- 2x e2 φ3,5x13 mm
- 4x e4 φ5x11 mm
- 2x f35 φ10x50 mm
- 2x g2
- 2x p17 φ5x50 mm
- 1x z1



- §4
- I φ10 mm
- II f35
- III p17
- IV p17