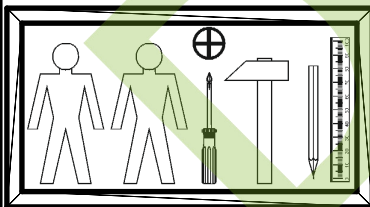
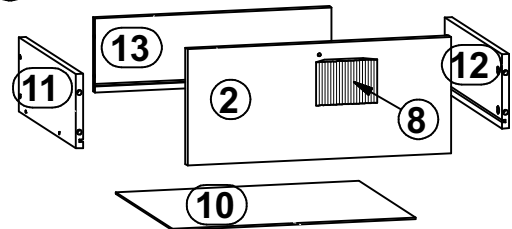
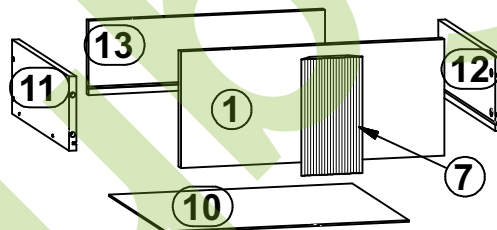
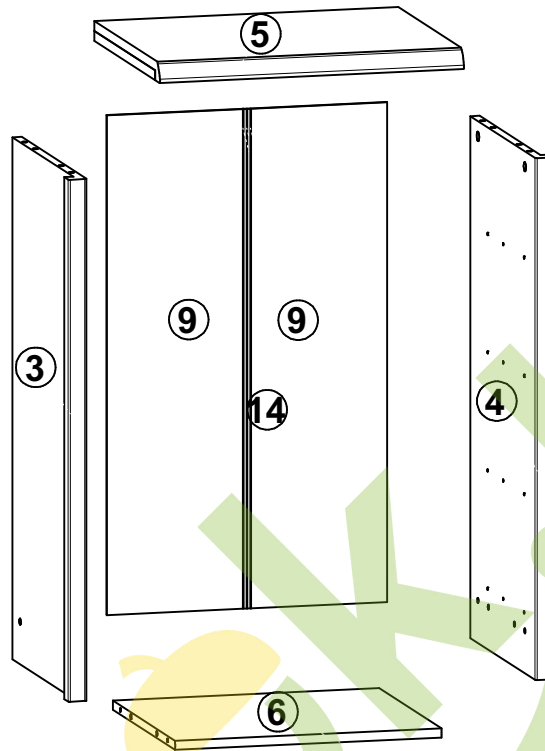
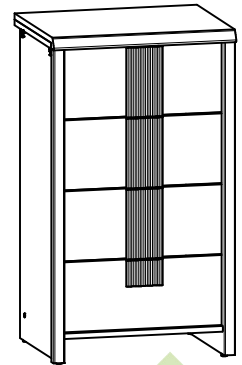


# CAPS

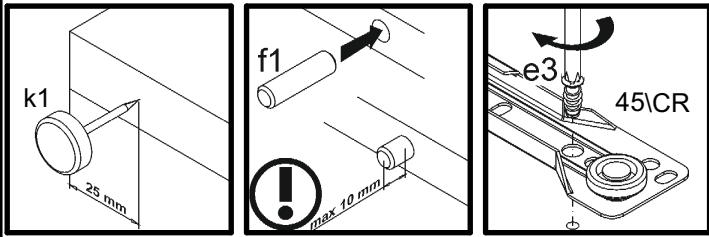
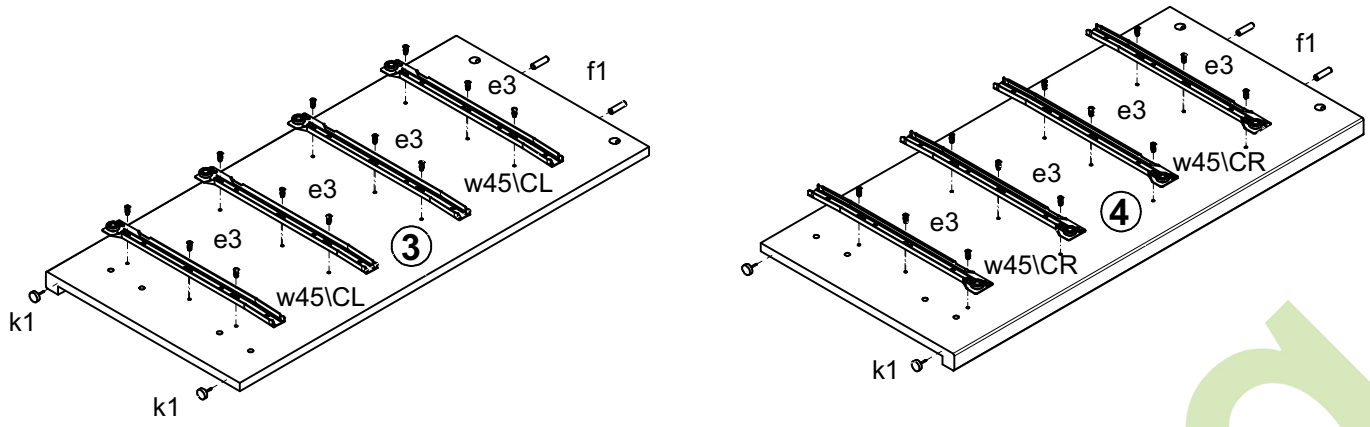
## S153-KOM4S/50

A	B	C		D
1	S153-0003	433	188	1/2
2	S153-0004	433	188	1/2
3	S153-1101	843	399	1/2
4	S153-1102	843	399	1/2
5	S153-2202	504	403	1/2
6	S153-3302	438	383	1/2
7	S153-571	188	100	2/2
8	S153-572	70	100	2/2
9	S153-9903	807	230	1/2
10	S153-9904	400	348	1/2
11	ZS2-511	350	120	1/2
12	ZS2-512	350	120	1/2
13	ZS2-5582	389	120	1/2
14	LH-777	777	14	1/2

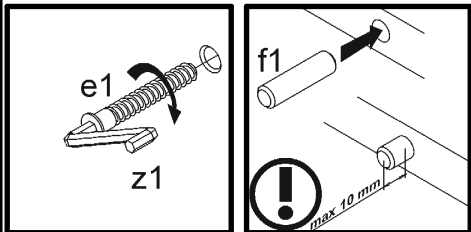
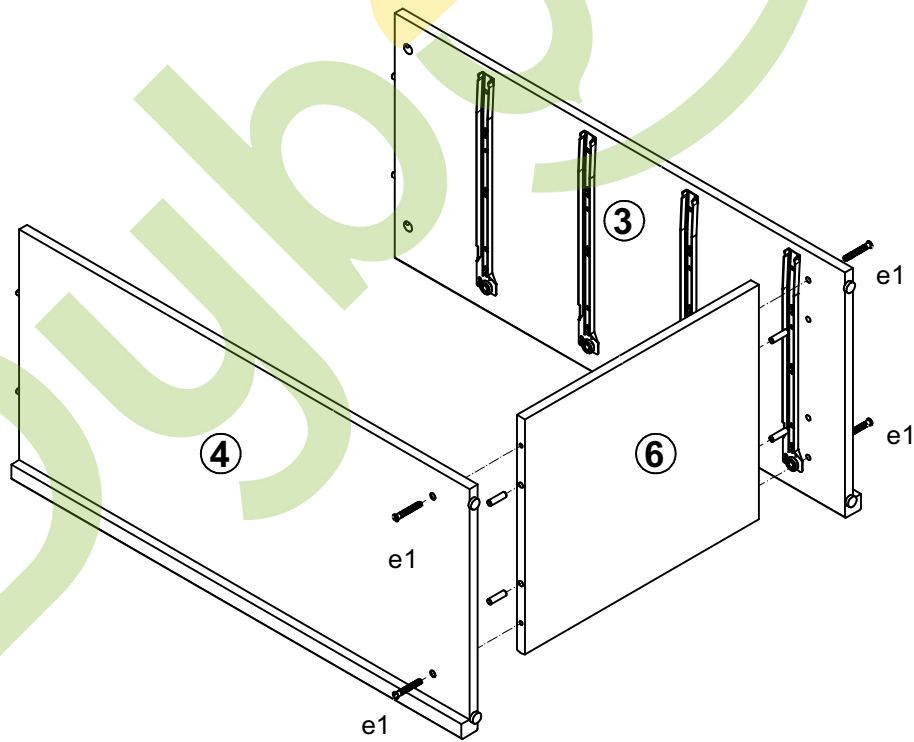


4x φ7x30 mm <b>e1</b>	16x φ5x9 mm <b>e19</b>	24x φ6x13 mm <b>e3</b>	8x φ8x30 mm <b>f1</b>	16x φ6.5x40 mm <b>f25</b>	4x <b>k1</b>	30x <b>l1</b>	8x φ4x22 mm <b>p60</b>	4x φ1.5x12mm #16 <b>r1</b>
16x φ12x10.5mm #12 <b>r15</b>	20x <b>r42</b>	4x 350 mm <b>w45\CL</b>	4x 350 mm <b>w45\CR</b>	4x 350 mm <b>w45\DL</b>	4x 350 mm <b>w45\DR</b>	1x <b>z1</b>	1x <b>n2611</b>	1x φ3.5x16 mm <b>p38</b>
4x <b>s1</b>	2x ø16 <b>s2</b>							

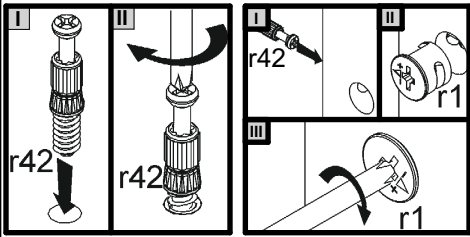
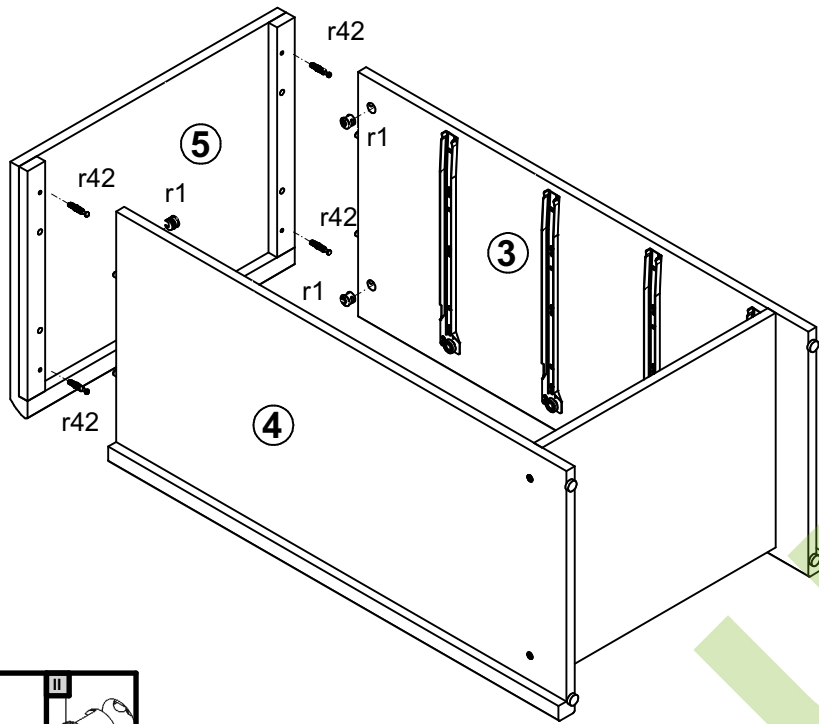
# 1



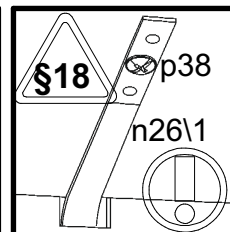
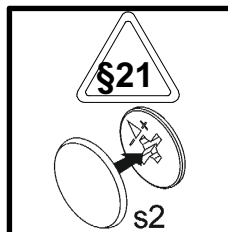
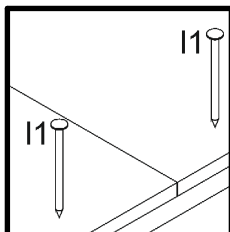
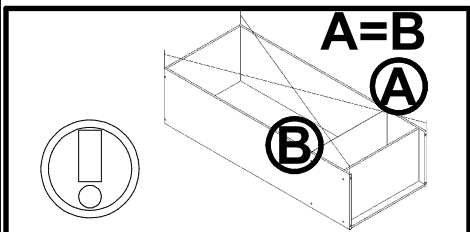
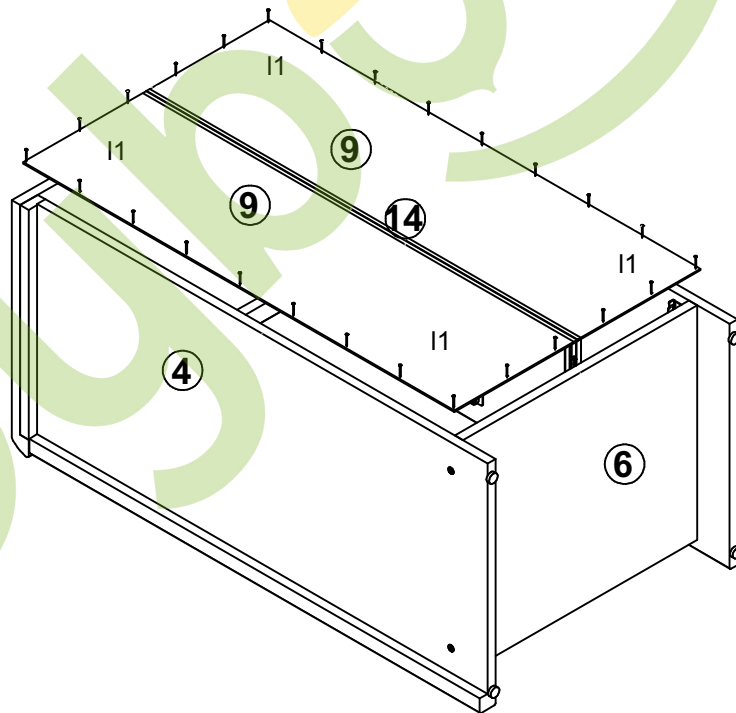
# 2



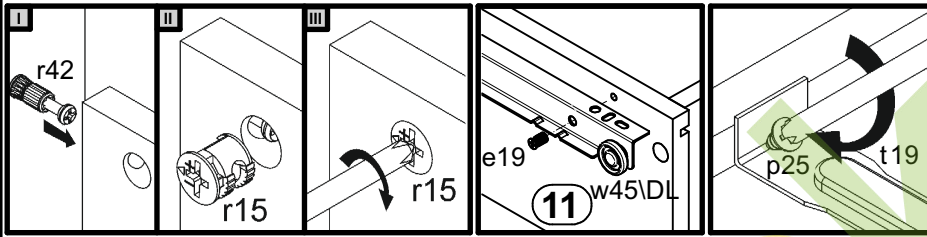
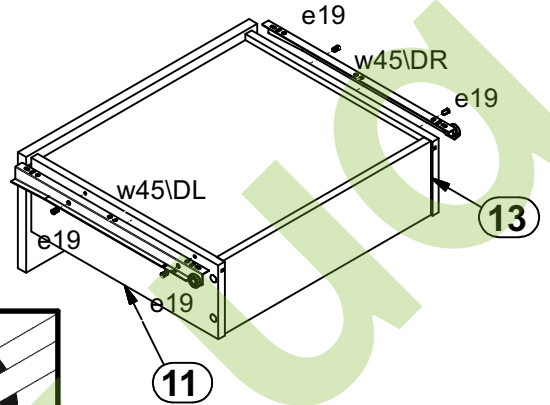
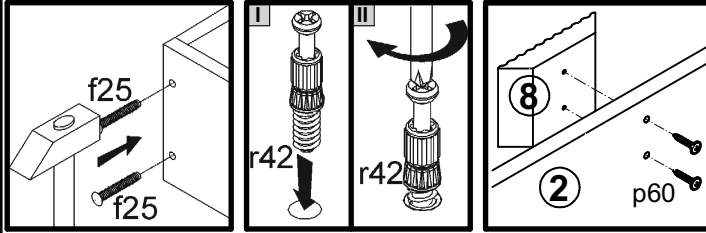
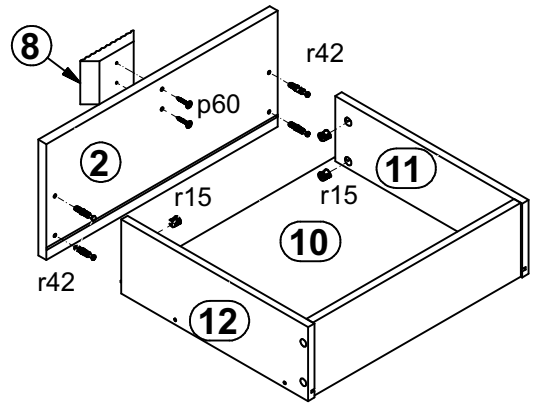
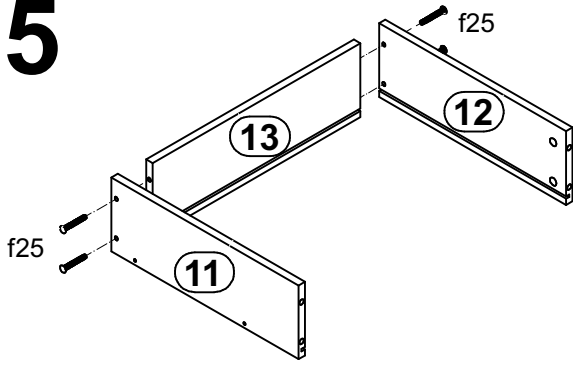
# 3



# 4



# 5



# 6

