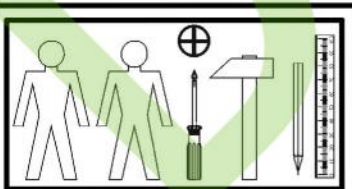
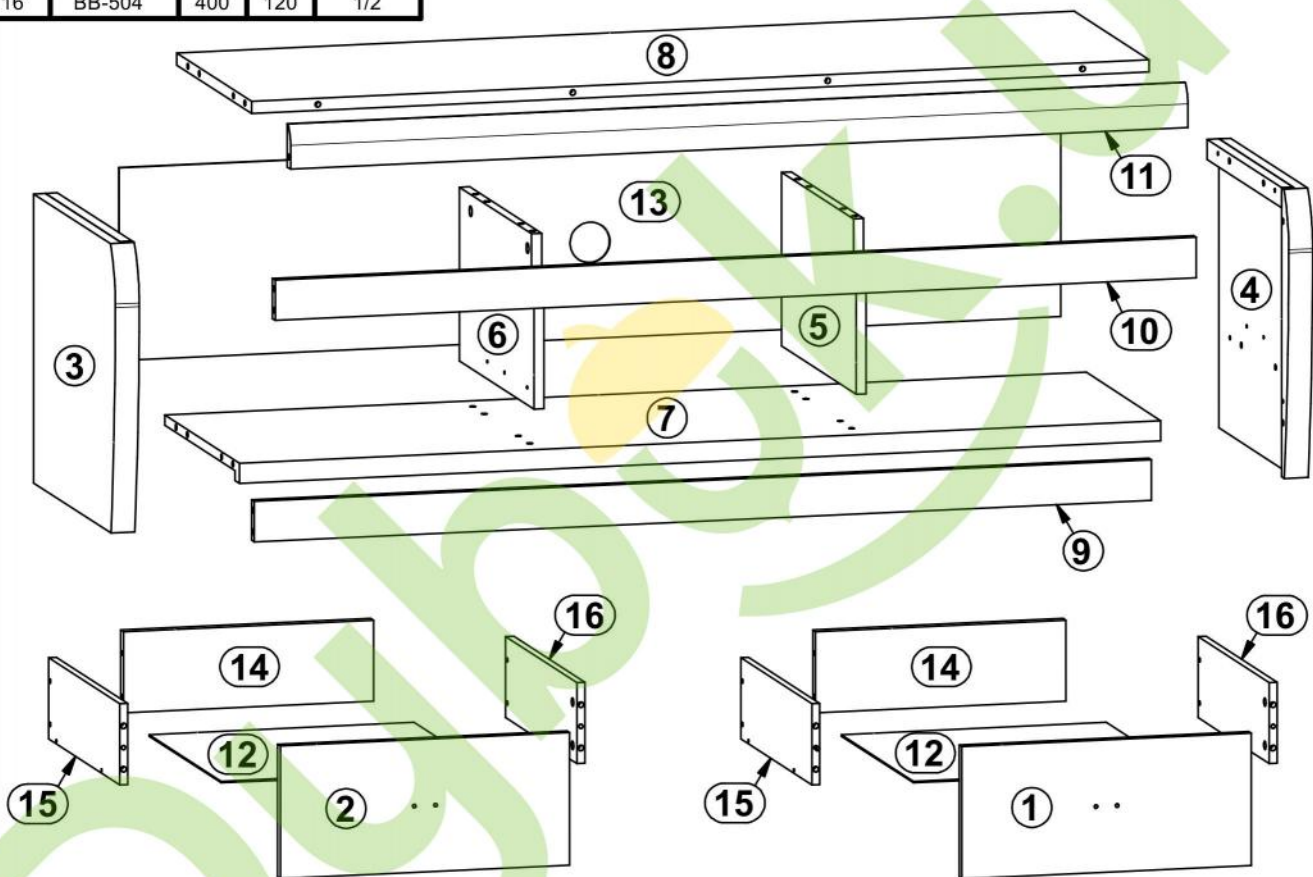
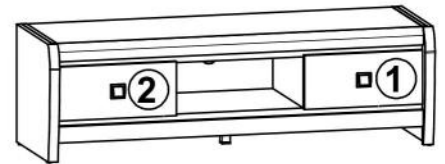


LOREN 2

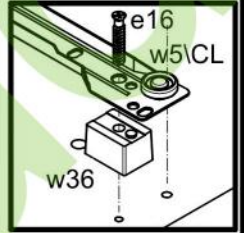
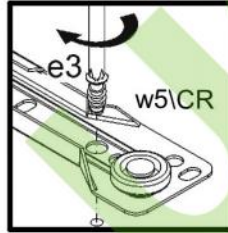
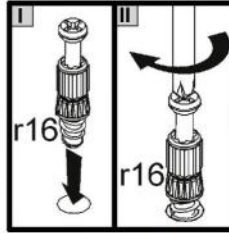
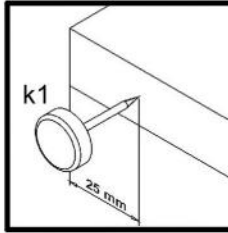
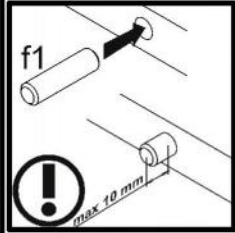
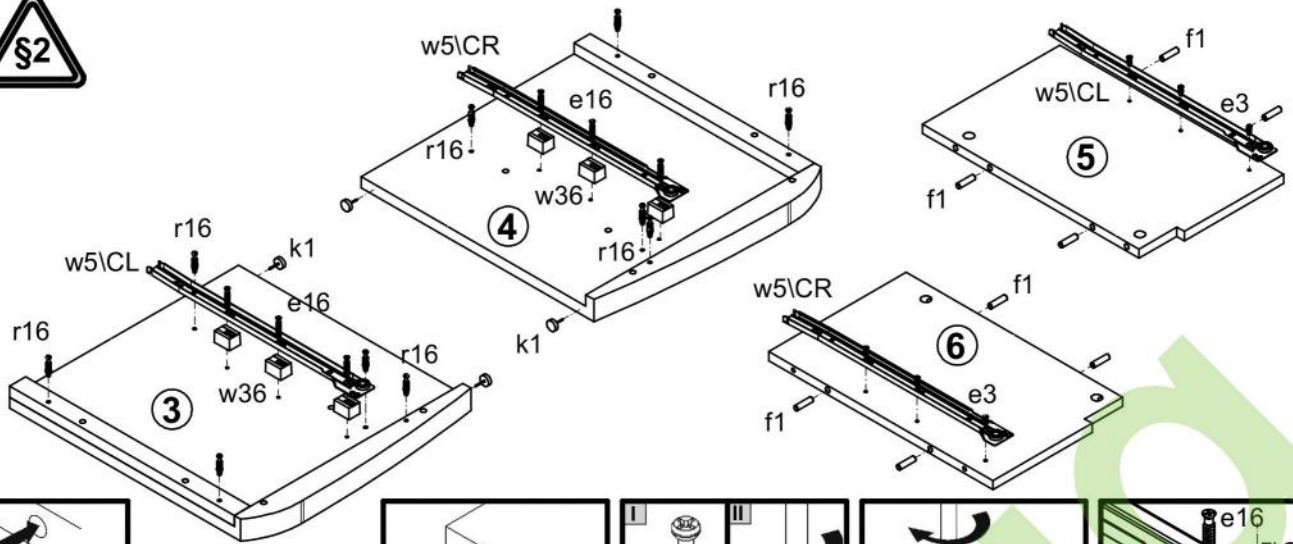
S163-RTV2S

A	B	C	D	
1	S163-0010A	436	196	2/2
2	S163-0011A	436	196	2/2
3	S163-1111	428	460	1/2
4	S163-1112	428	460	1/2
5	S163-1113	257	419	1/2
6	S163-1114	257	419	1/2
7	S163-3309	1388	419	1/2
8	S163-3310	1352	420	1/2
9	S163-4406	1352	60	1/2
10	S163-4407	1388	60	1/2
11	S163-504	1352	64	1/2
12	S163-9910	399	405	1/2
13	S163-9911	1419	285	1/2
14	ZB-5517	369	120	1/2
15	BB-503	400	120	1/2
16	BB-504	400	120	1/2

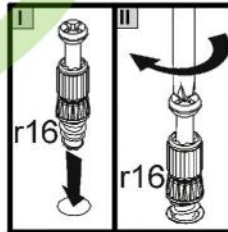
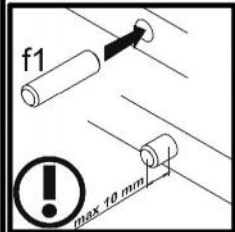
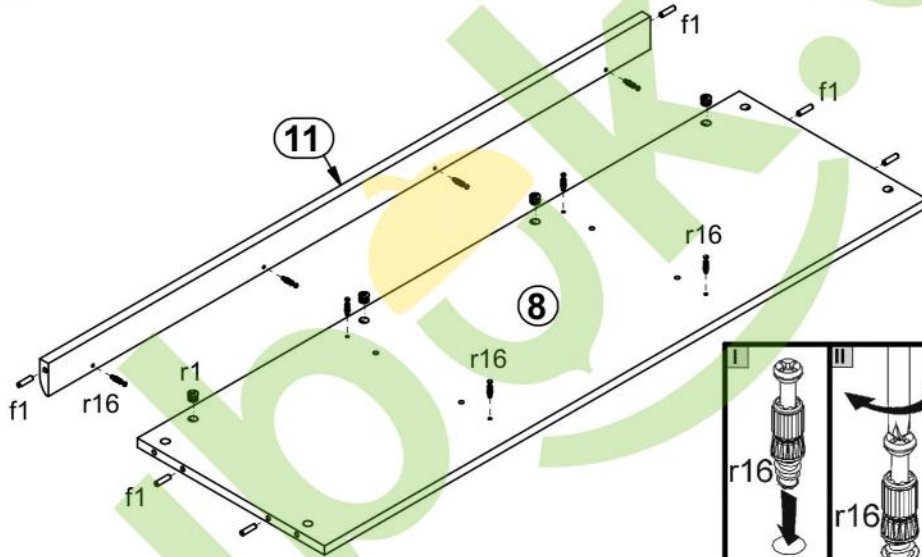


2x c333	4x Ø7x50 mm e1	6x Ø6x30 mm e16	8x Ø5x9 mm e19	1x Ø6.3x13 mm e2	6x Ø6x13 mm e3	24x Ø8x30 mm f1	4x Ø6x30 mm f9	8x Ø6.5x40 mm f25
4x M4x20 mm j1	4x k1	1x k38\13	1x k38\15	40x l1	1x 32x16x15\1 mm n56	2x Ø8.5x13 mm p27	12x Ø3.5x16 mm p38	26x Ø1.5x12 mm #16 r1
26x r16	6x H=18 mm w36	2x 400 mm w5\CL	2x 400 mm w5\CR	2x 400 mm w5\DL	2x 400 mm w5\DR	1x z1		

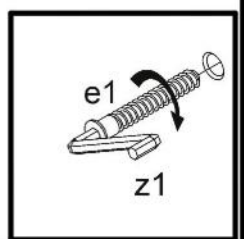
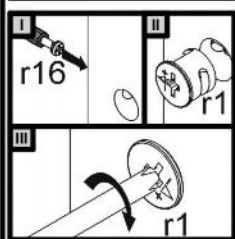
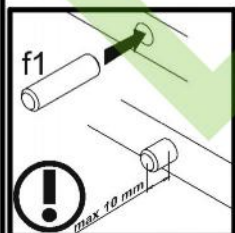
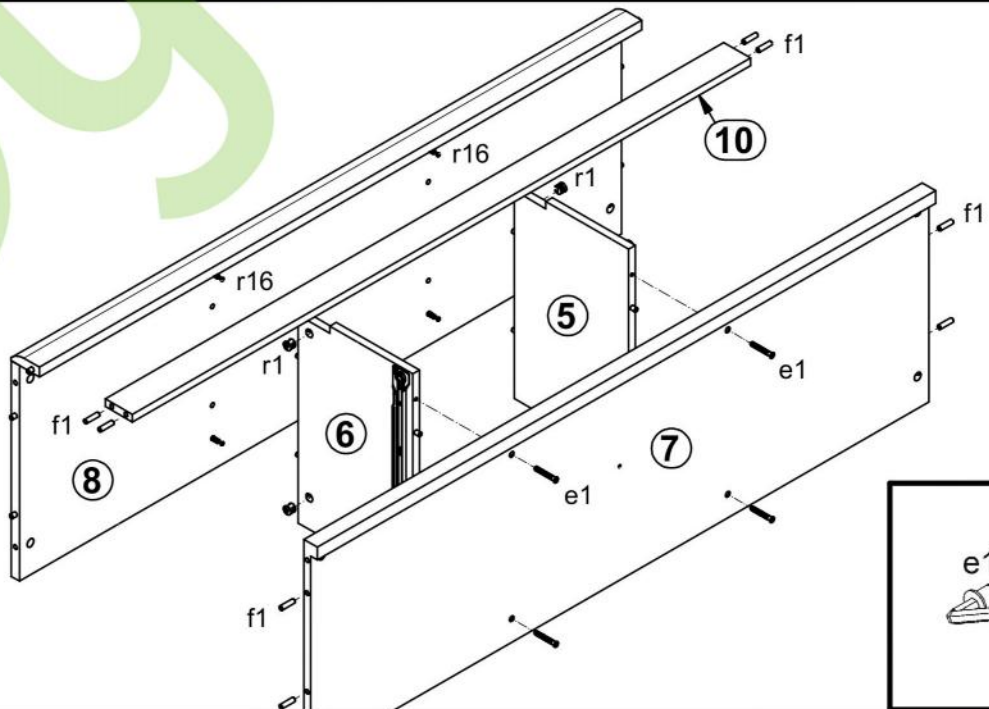
1



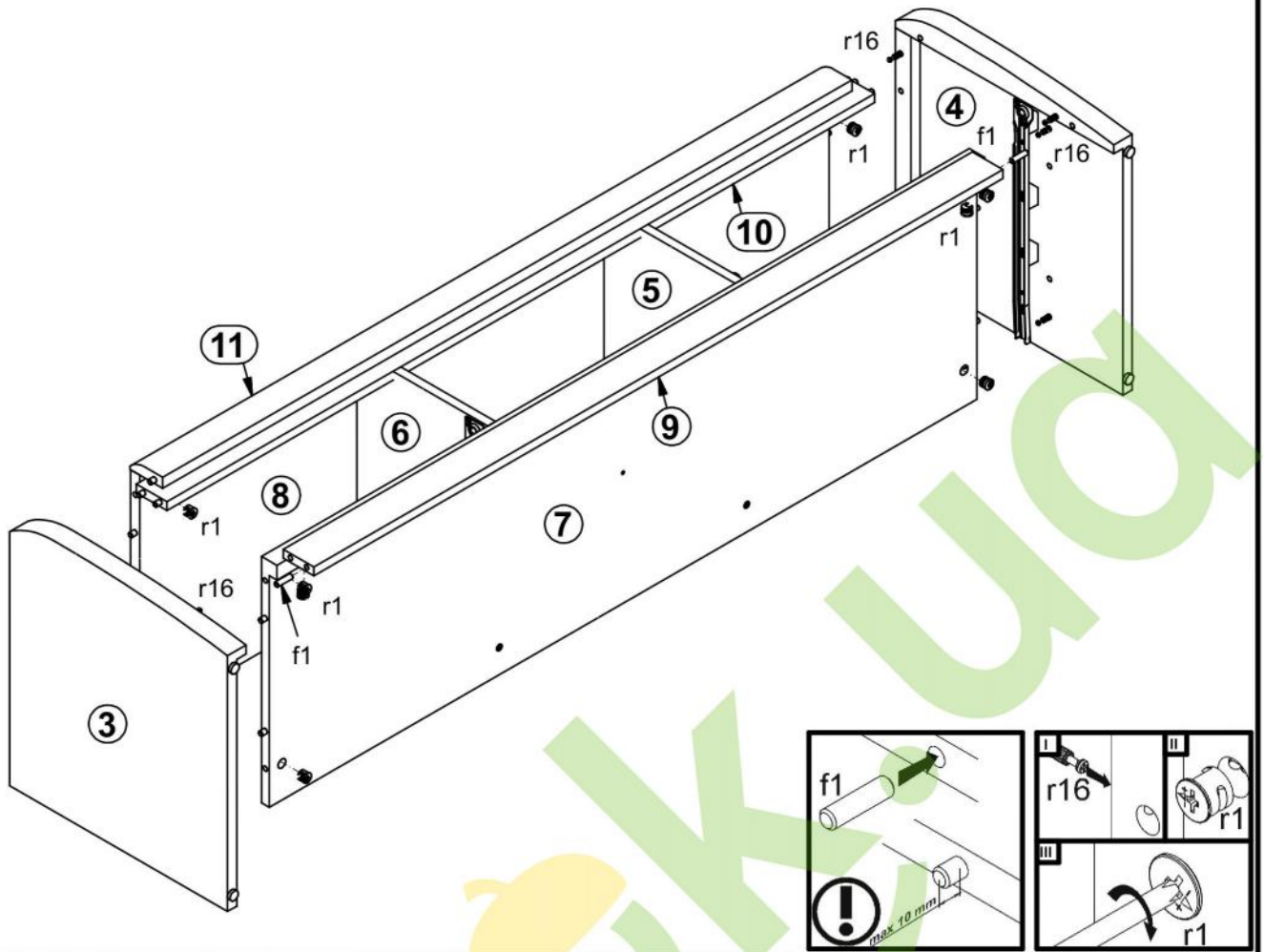
2



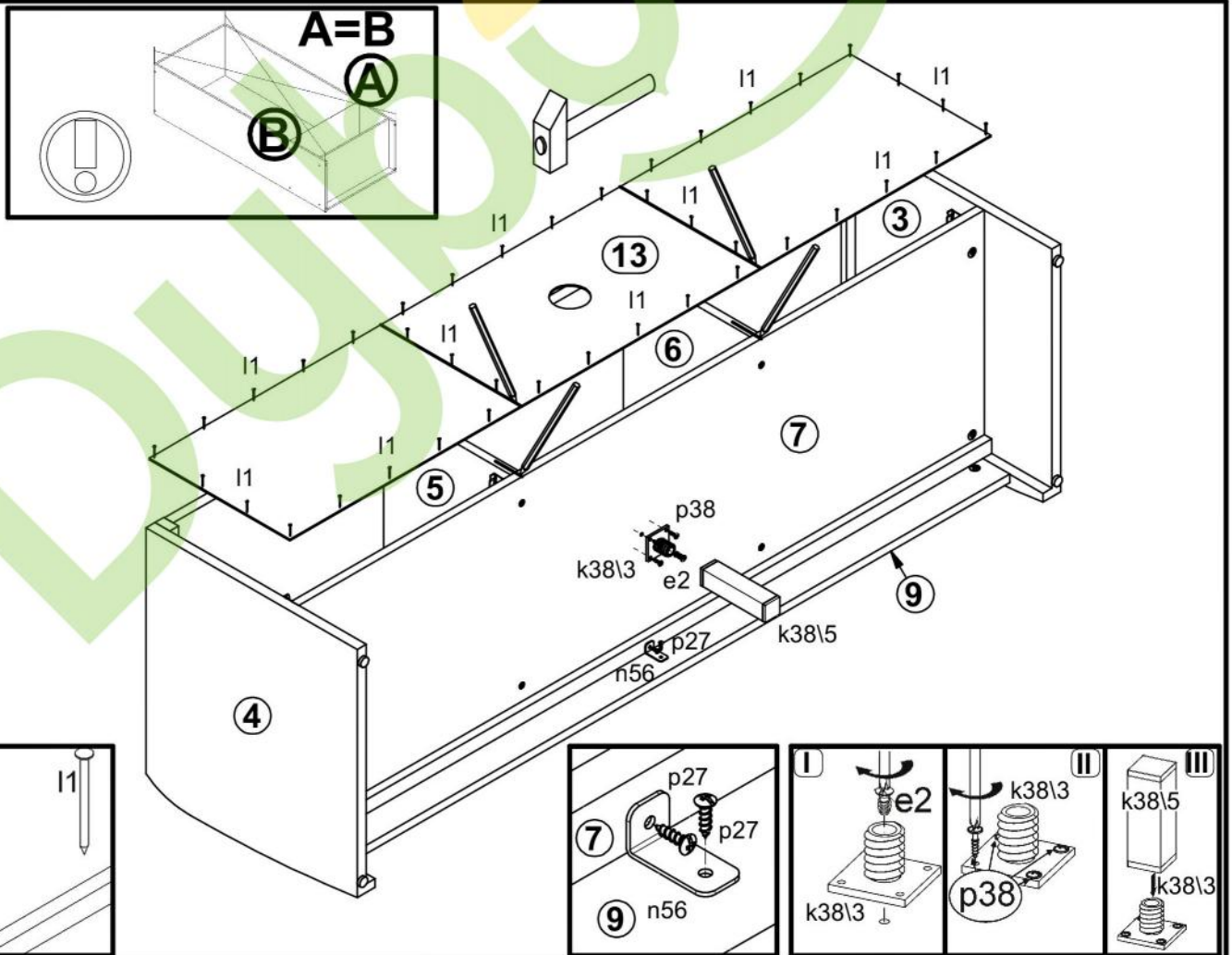
3



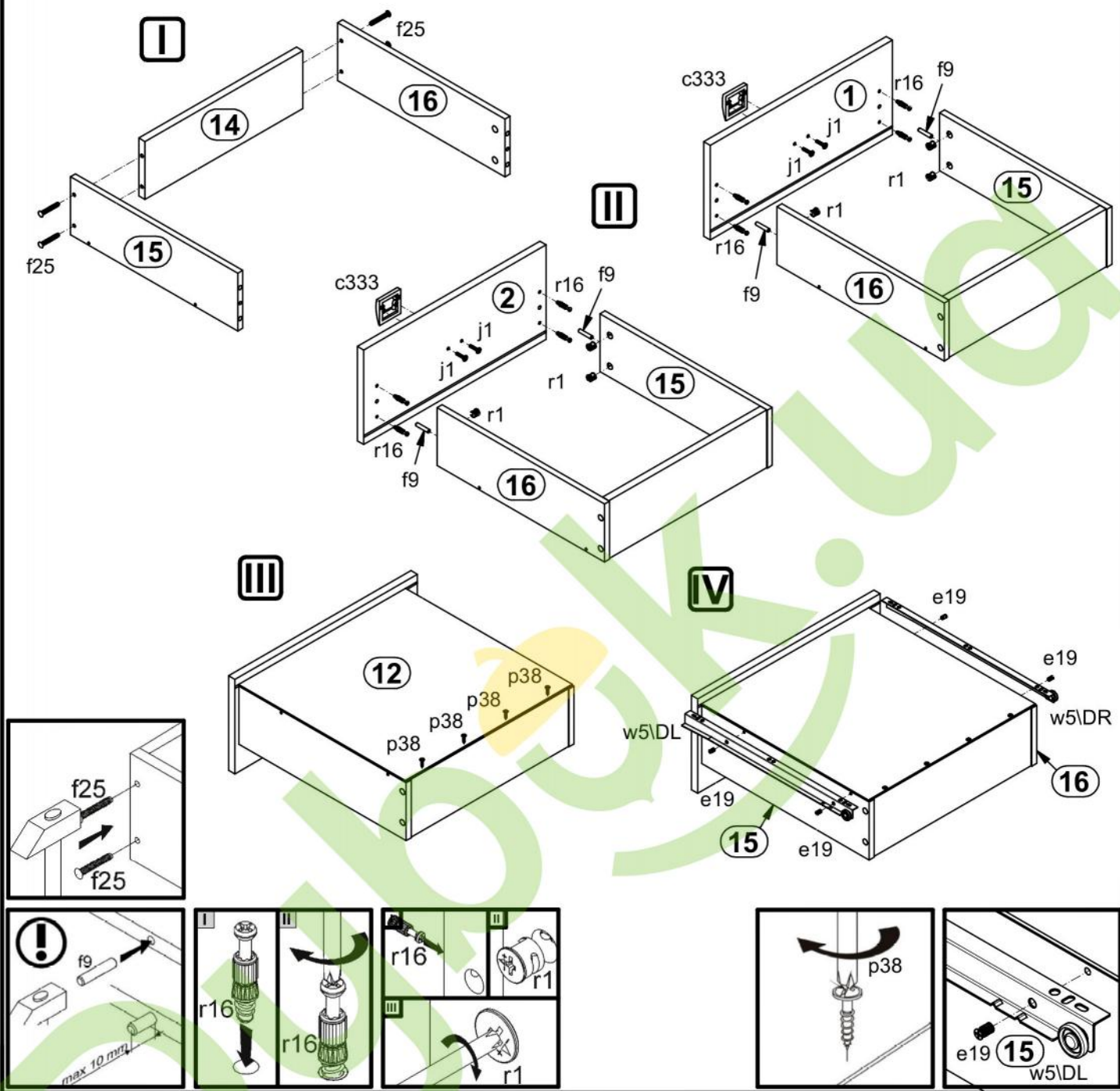
4



5



6



7

