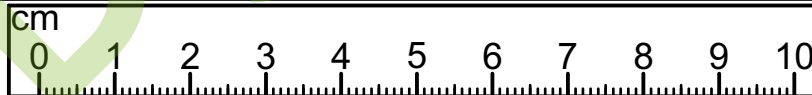
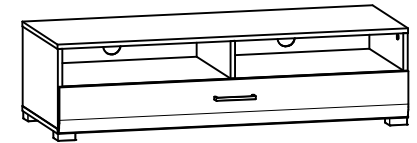
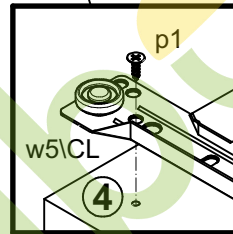
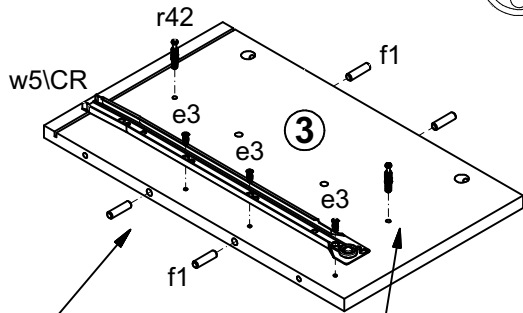
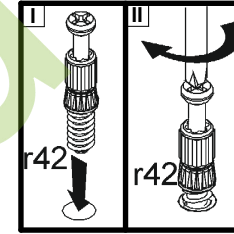
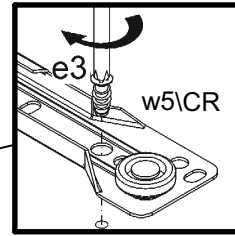
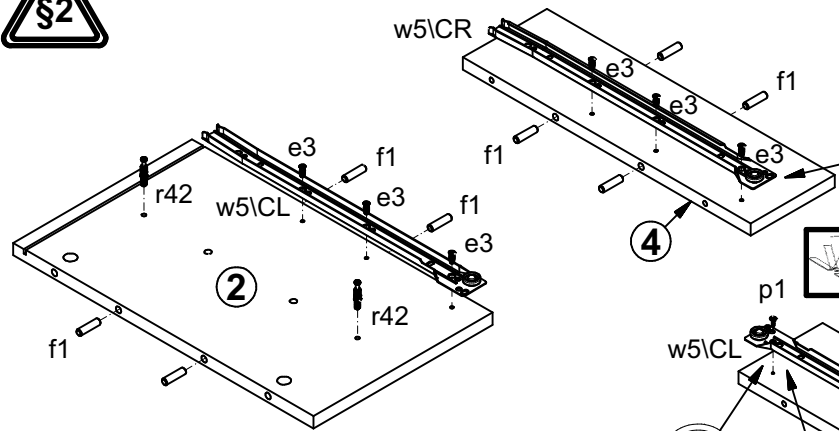


A	B	C (mm)		D
1	S174-002	1196	156	1/1
2	S174-113	268	450	1/1
3	S174-114	268	450	1/1
4	S174-115	126	431	1/1
5	S174-116	126	431	1/1
6	S174-210	1200	450	1/1
7	S174-211	1200	450	1/1
8	S174-311	1167	431	1/1
9	S174-508	526	100	1/1
10	S174-509	400	100	1/1
11	S174-510	400	100	1/1
12	S174-9911	536	398	1/1
13	S174-9912	1177	278	1/1

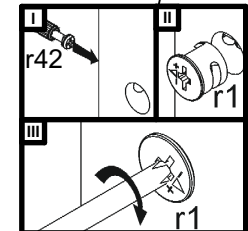
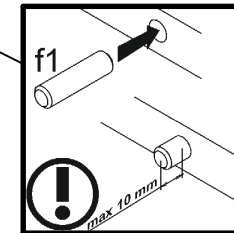
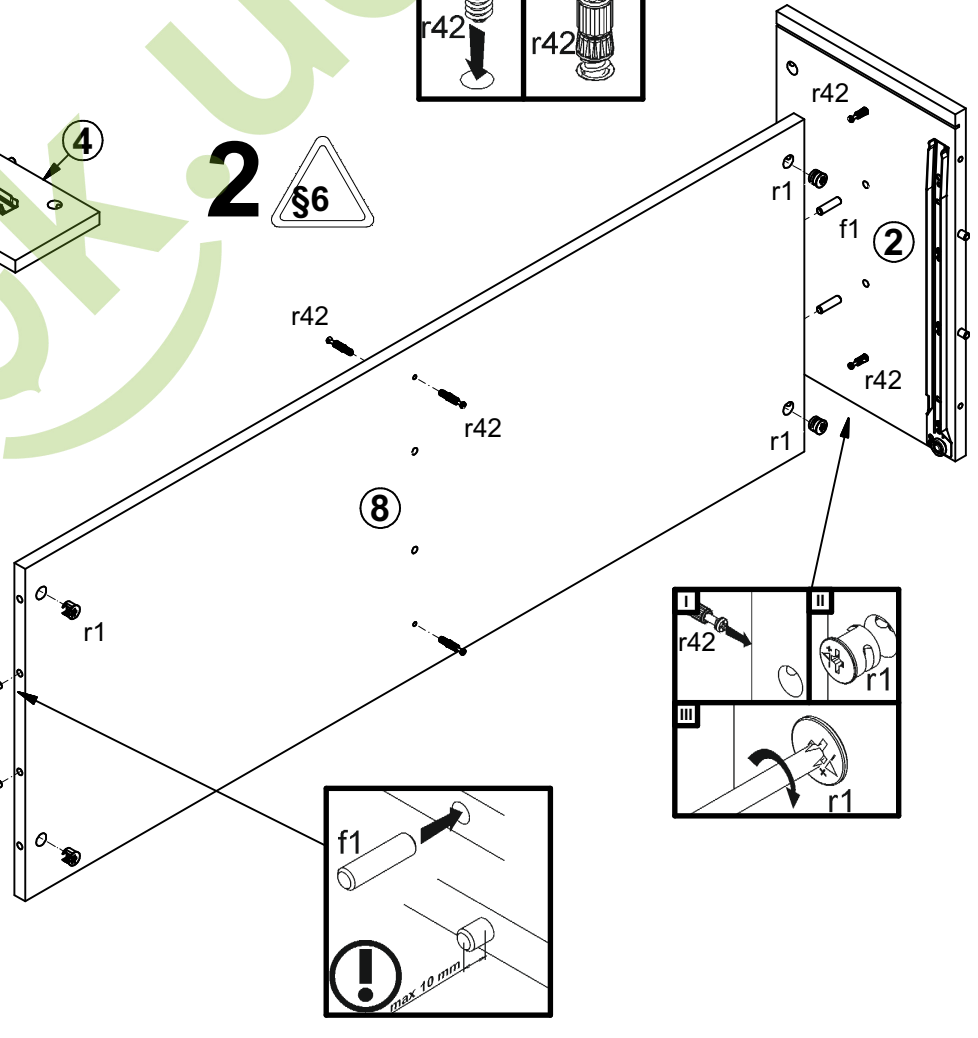
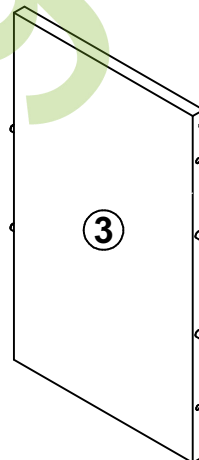
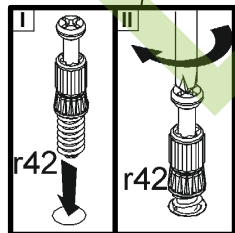
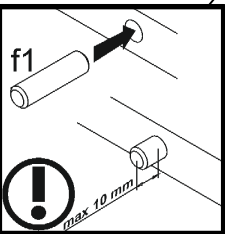


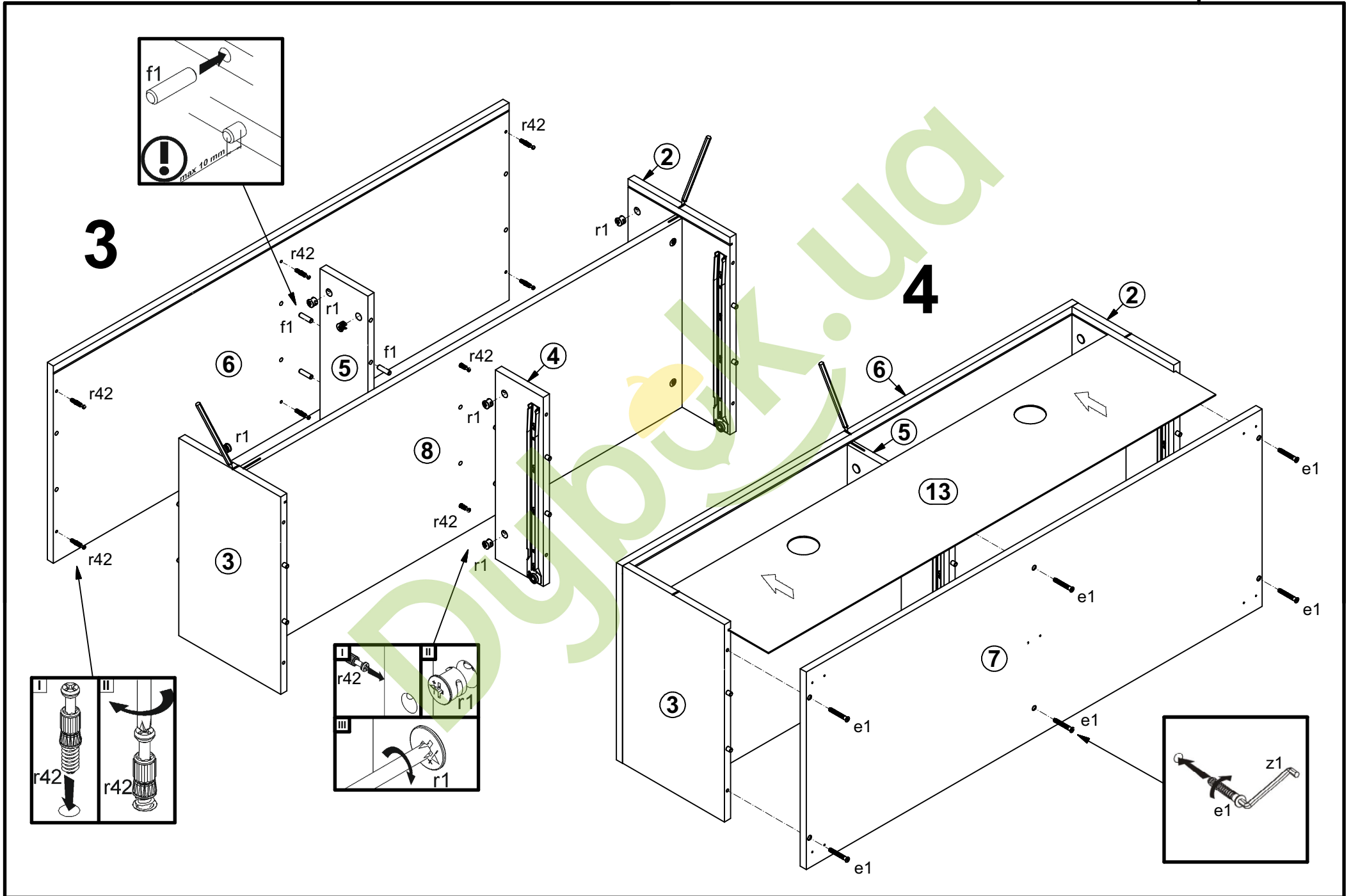
1x c34212	6x e7 x50 mm e1	9x e6 x13 mm e3	20x f8 x30 mm f1	8x f6,5 x40 mm f25	2x M4x22 mm j30	5x k55	15x l1	6x l2	2x silikon o21	3x p3,5 x13 mm p1	4x p3,5 x16 mm p25	8x p3 x12 mm p54
10x p4 x35 mm p6	14x r1,5 x12 mm #16 r1	8x r1,2 x10,5 mm #12 r15	22x r42	8x s2	2x 383 mm t14	2x 400 mm w5\CL	2x 400 mm w5\CR	2x 400 mm w5\DL	2x 400 mm w5\DR	1x z1		

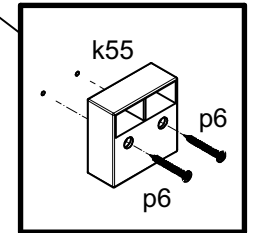
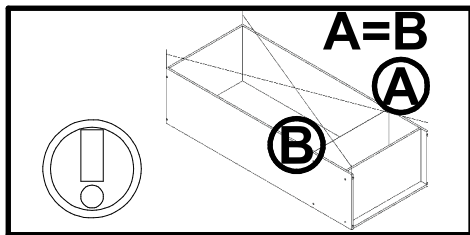
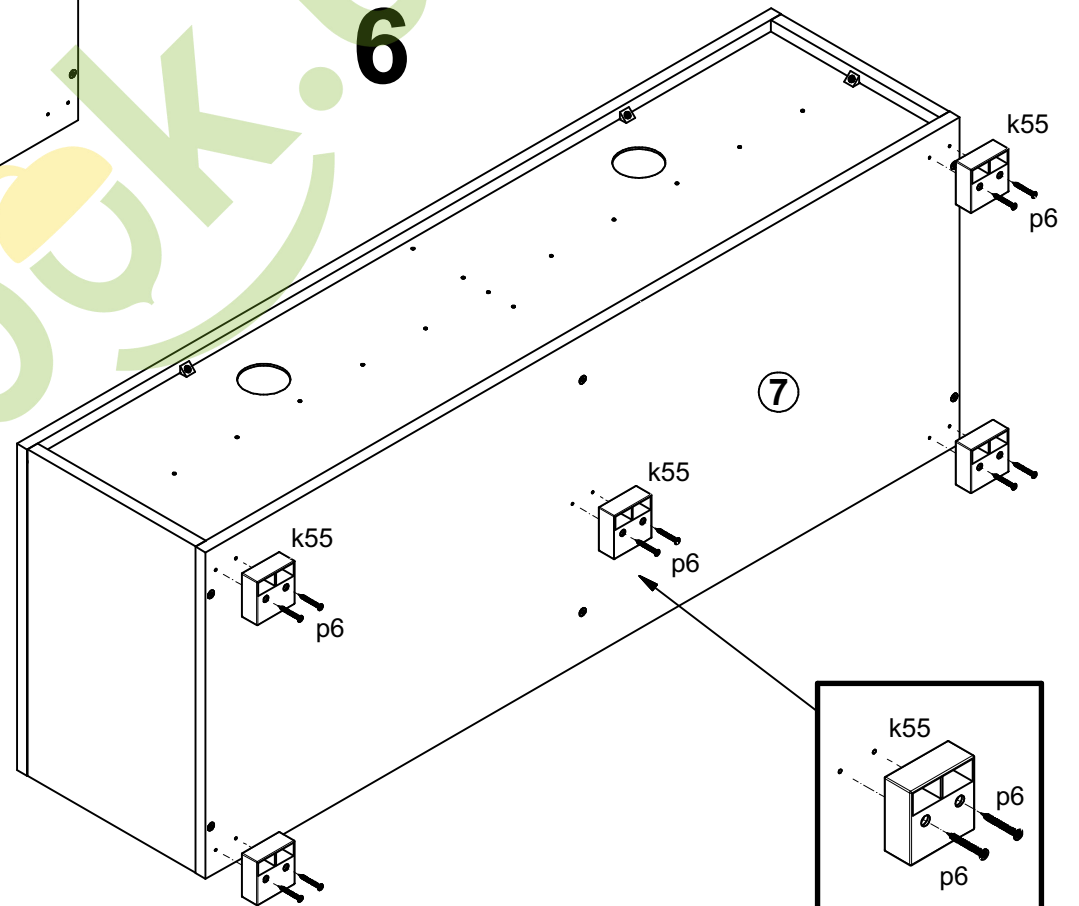
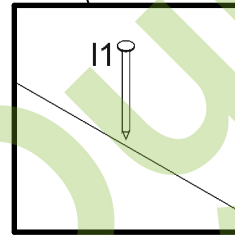
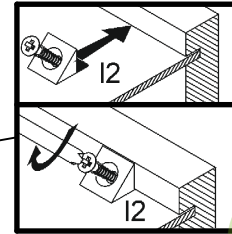
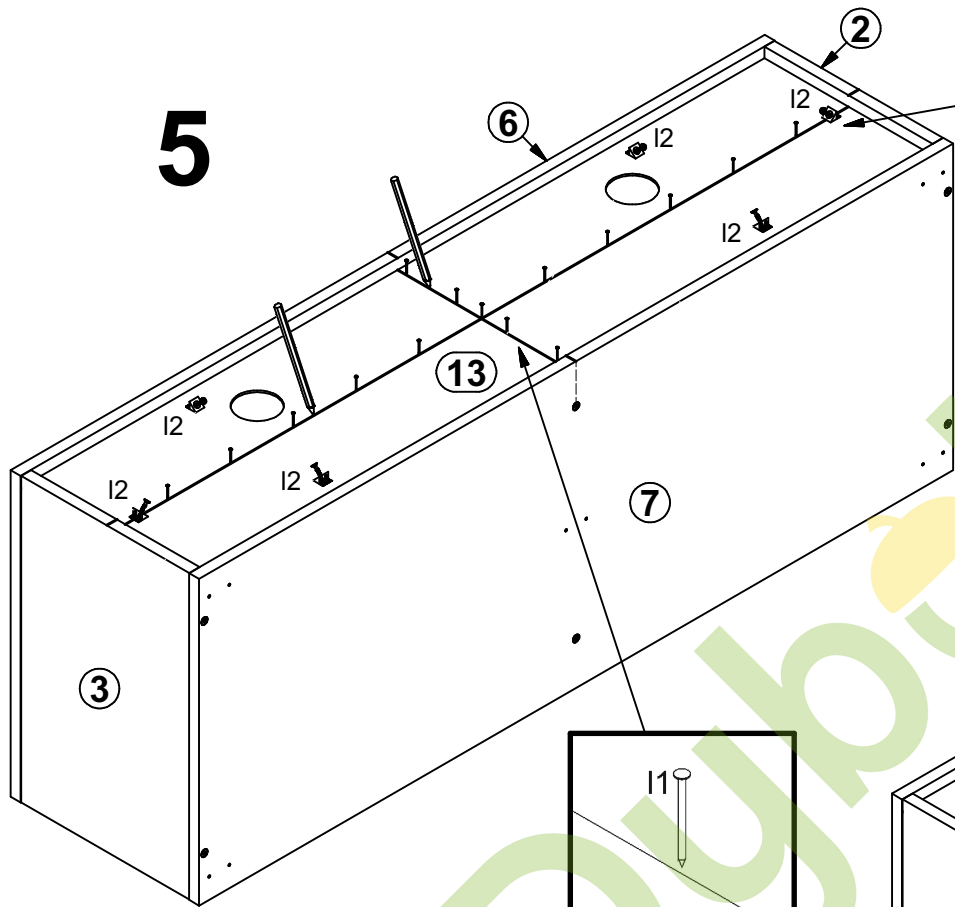
1 



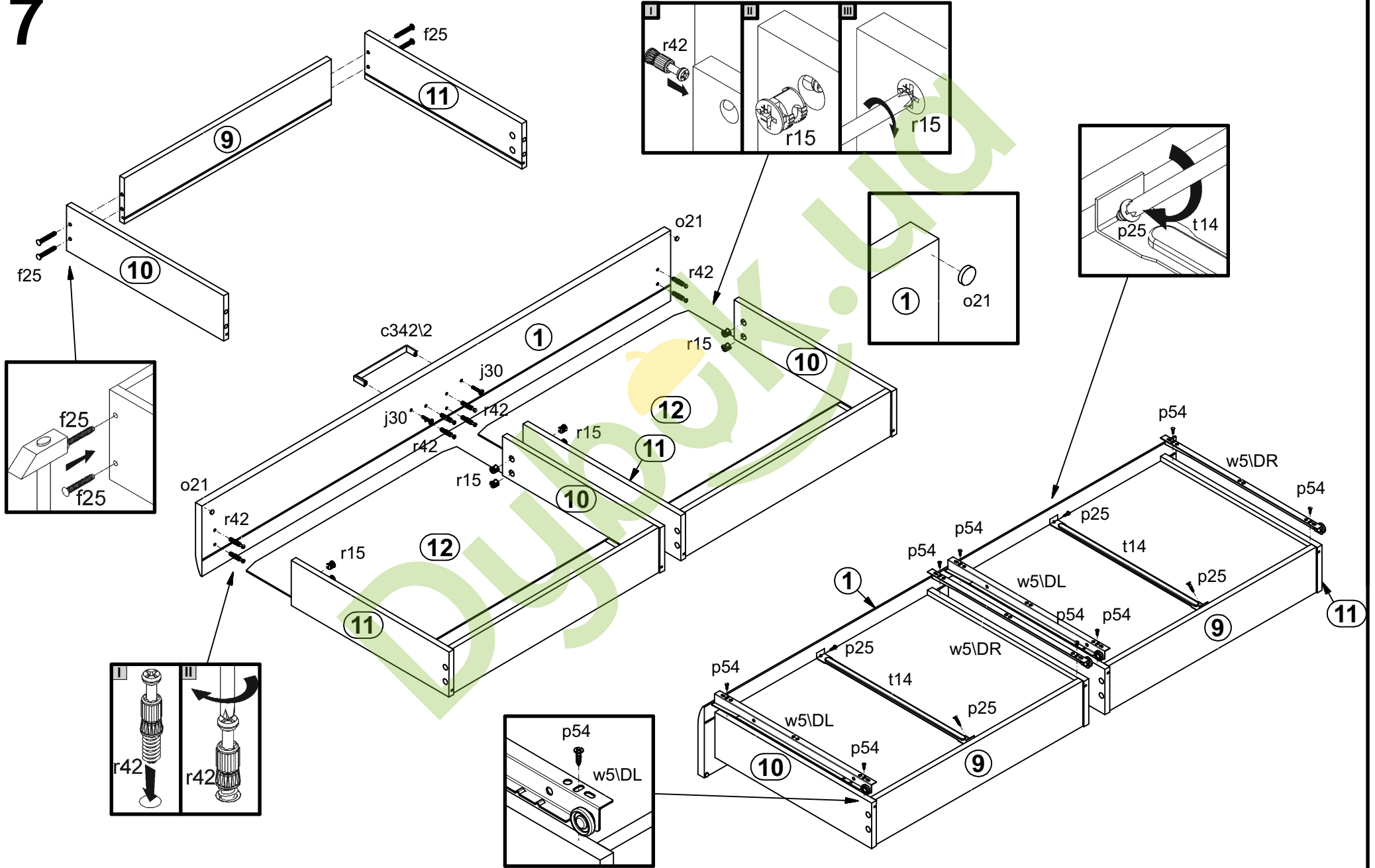
2 







7



8

