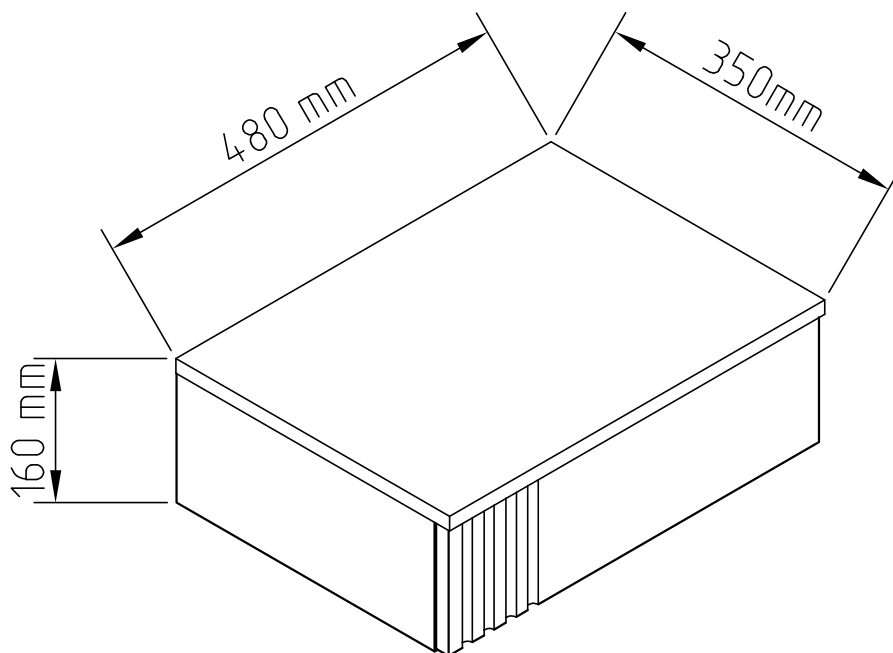
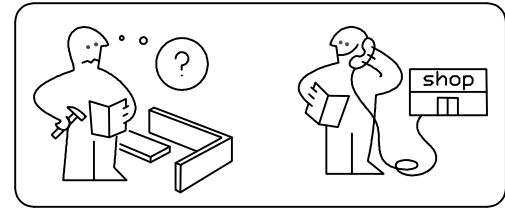
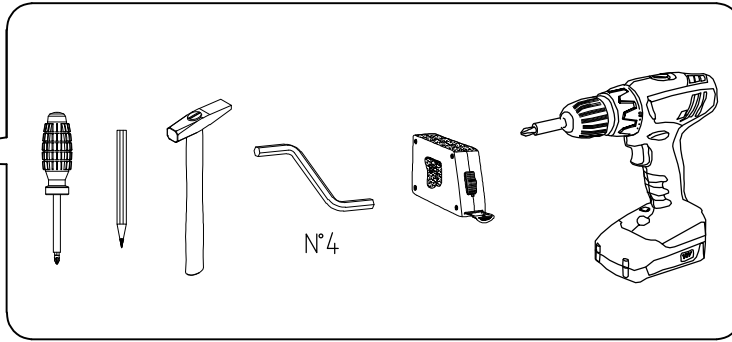
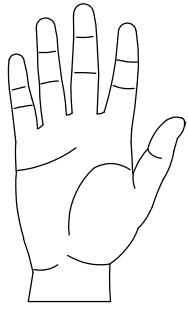


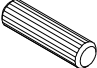

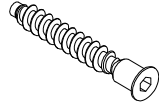
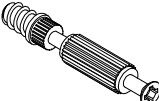


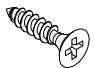
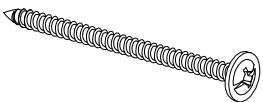

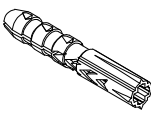
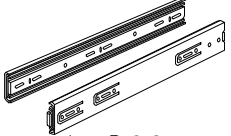
Ліна / Lina

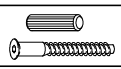
тумбочка навісна /

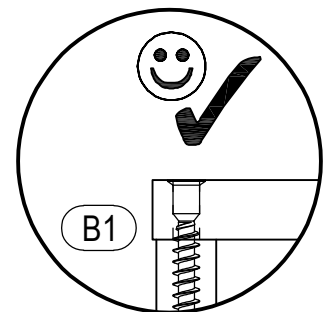
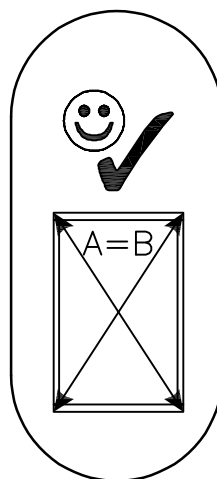
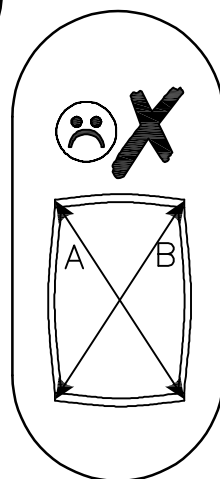
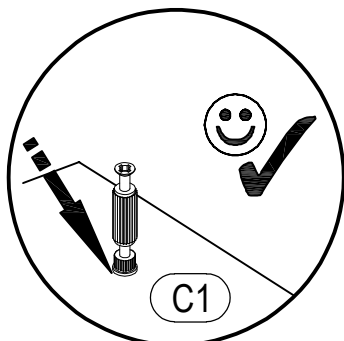
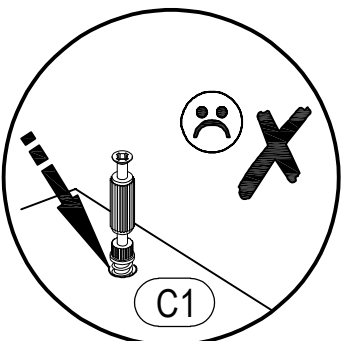
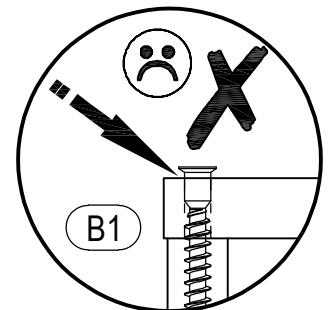
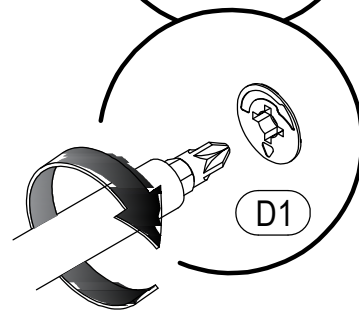
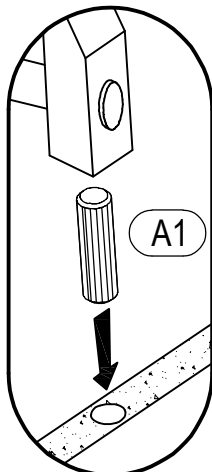
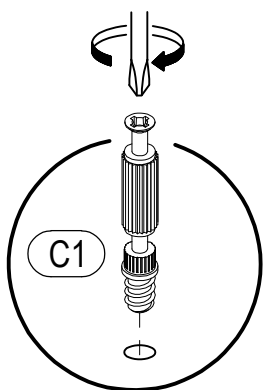
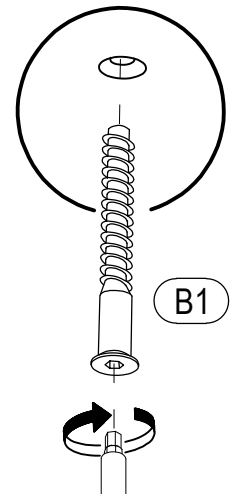
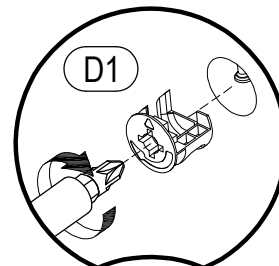
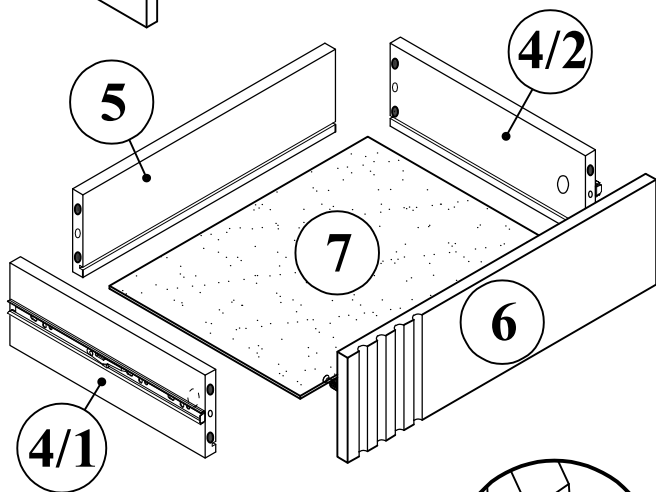
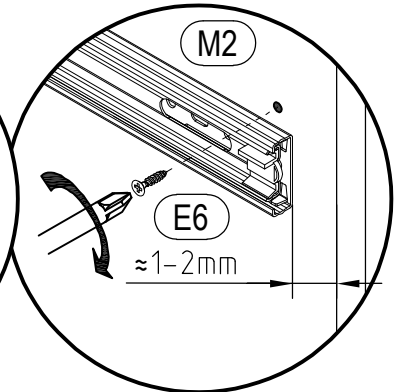
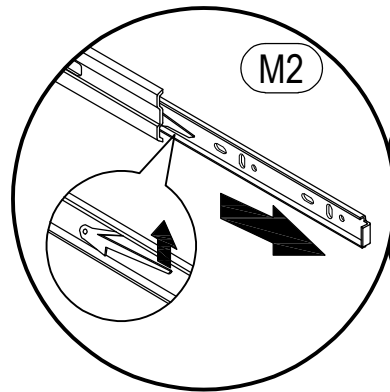
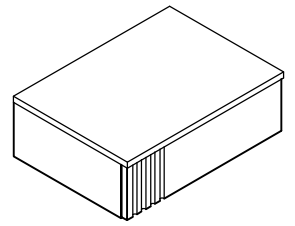
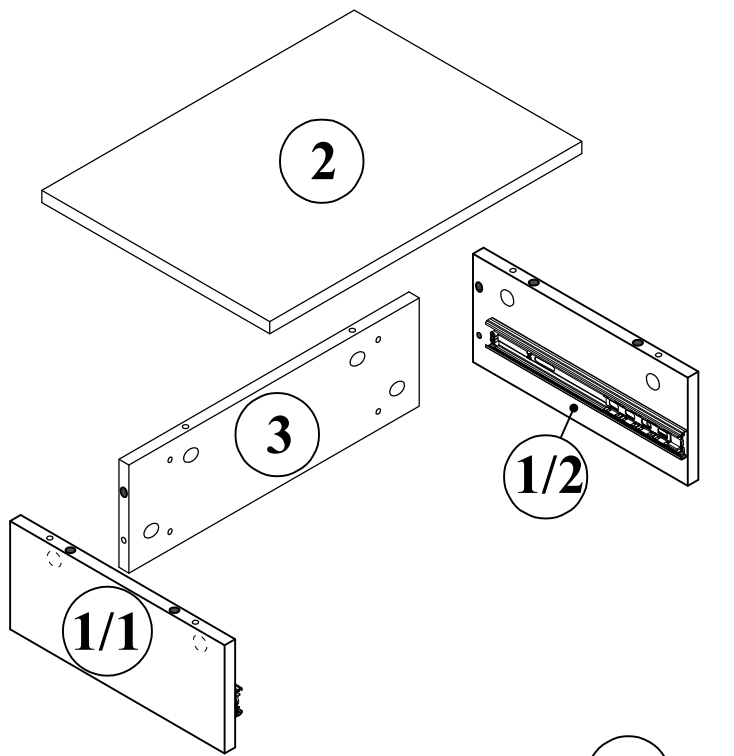
nightstand is hinged

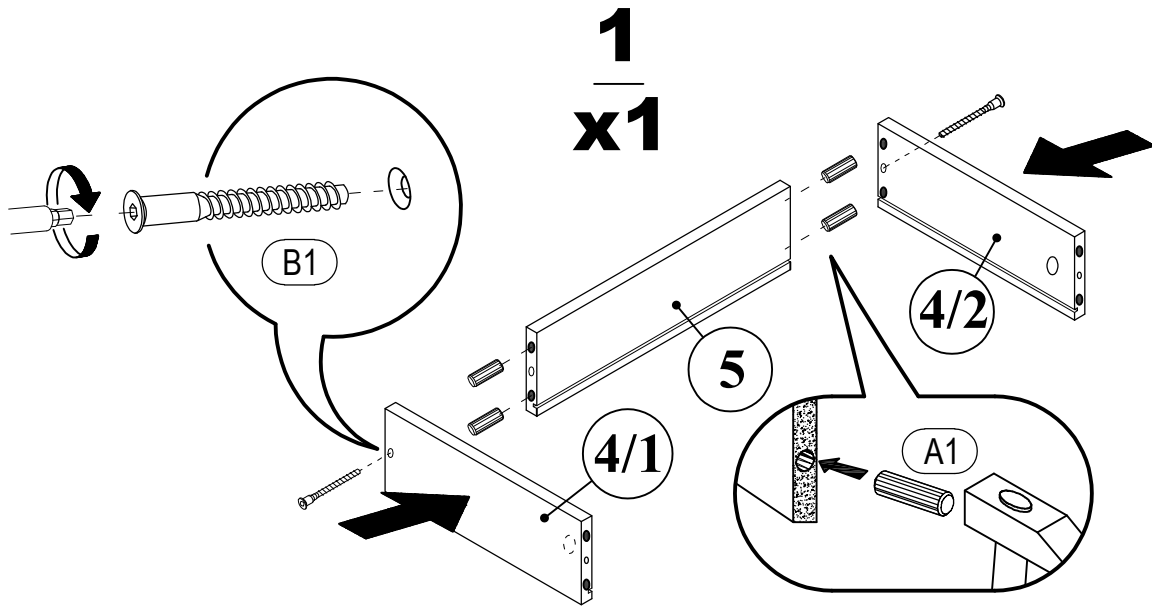




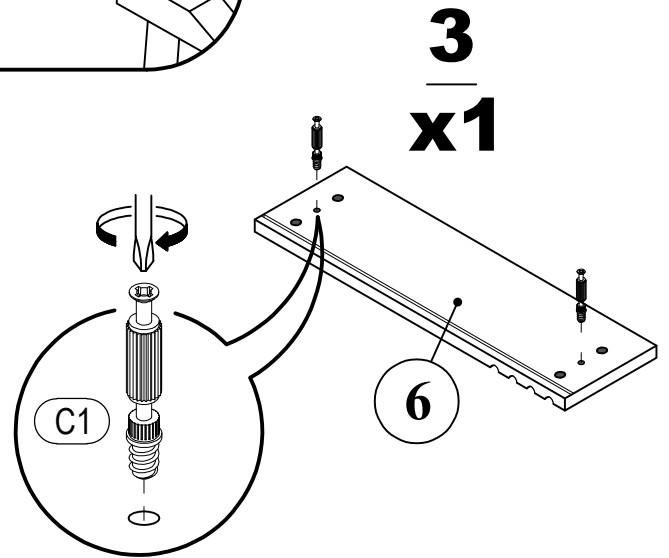
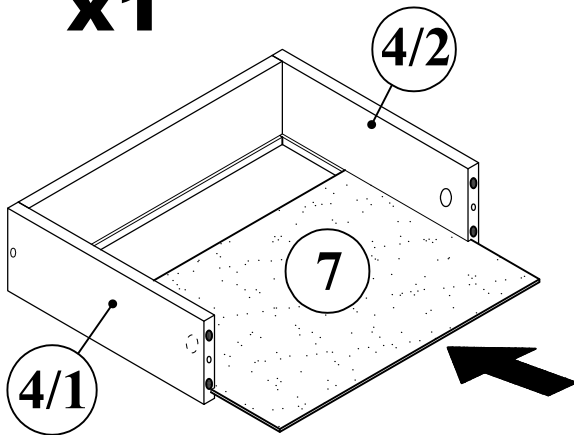
 A1 8*30mm x14	 B ϕ 12mm x2	 B1 6,3*50mm x2
 C1 6*43mm x10	 D ϕ 20mm x10	 D1 15/16 x10
 E6 3,5*16mm x8	 E-5 4,2*51mm x4	 H2 RV-8 x1
 H5 8*50mm x4	 M2 L-300mm x1	

No	a*b	x	N°→...
1/1	144x330	x1	1/1
1/2	144x330	x1	1/1
2	480x350	x1	1/1
3	144x446	x1	1/1
4/1	300x110	x1	1/1
4/2	300x110	x1	1/1
5	388x110	x1	1/1
6	140x474	x1	1/1
7	397x293	x1	1/1
		x1	1/1

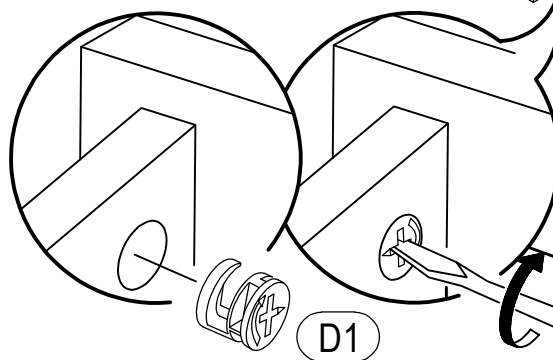
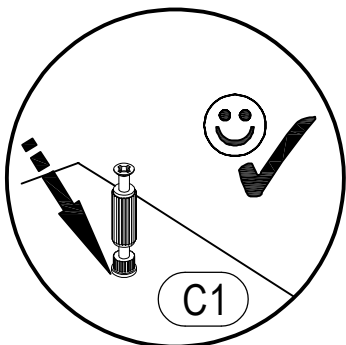
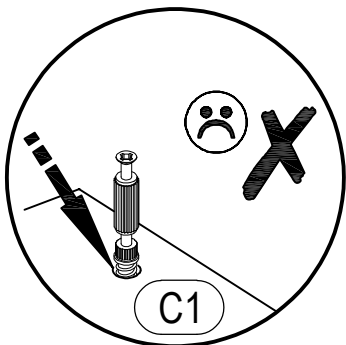
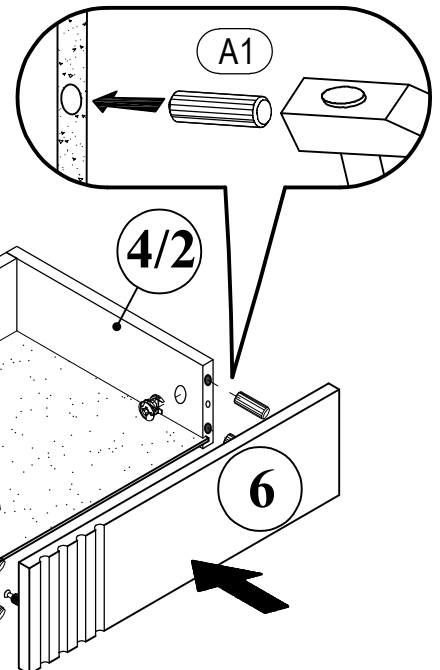




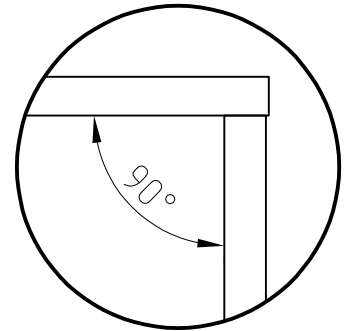
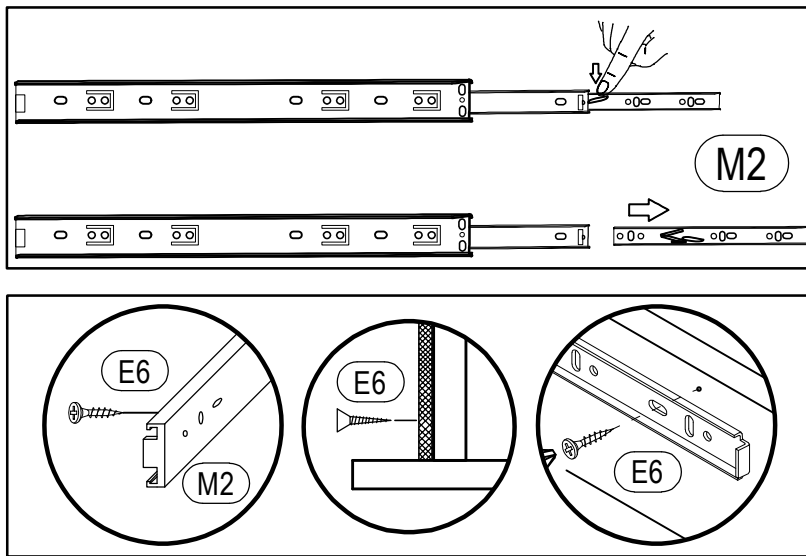
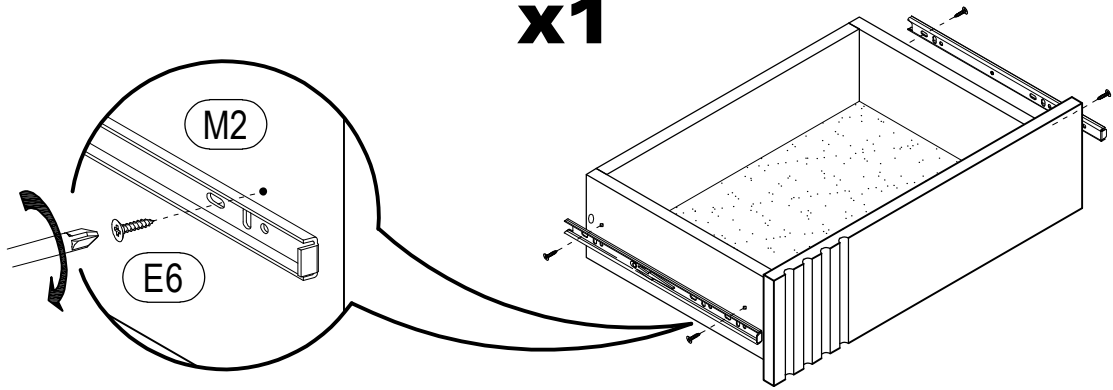
2
x1



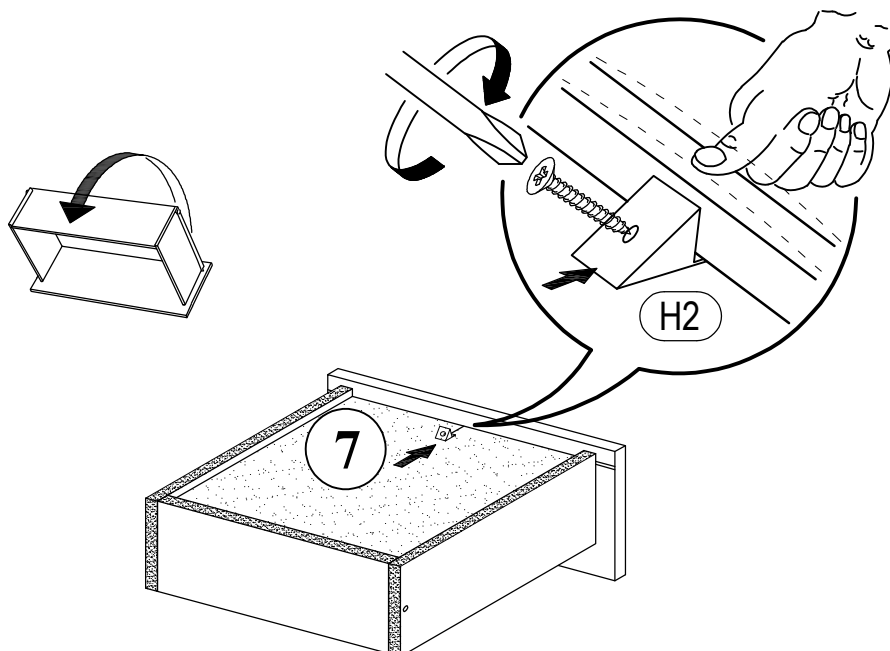
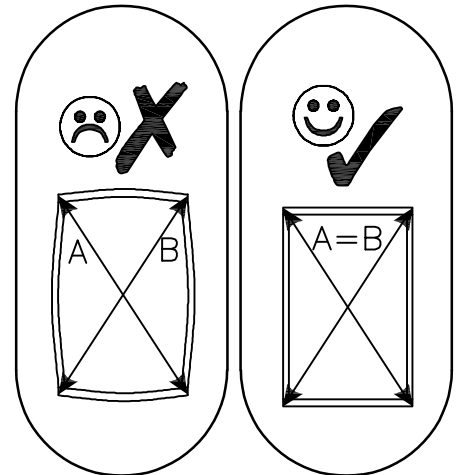
4
x1



5
x1



6
x1



$a = b$



