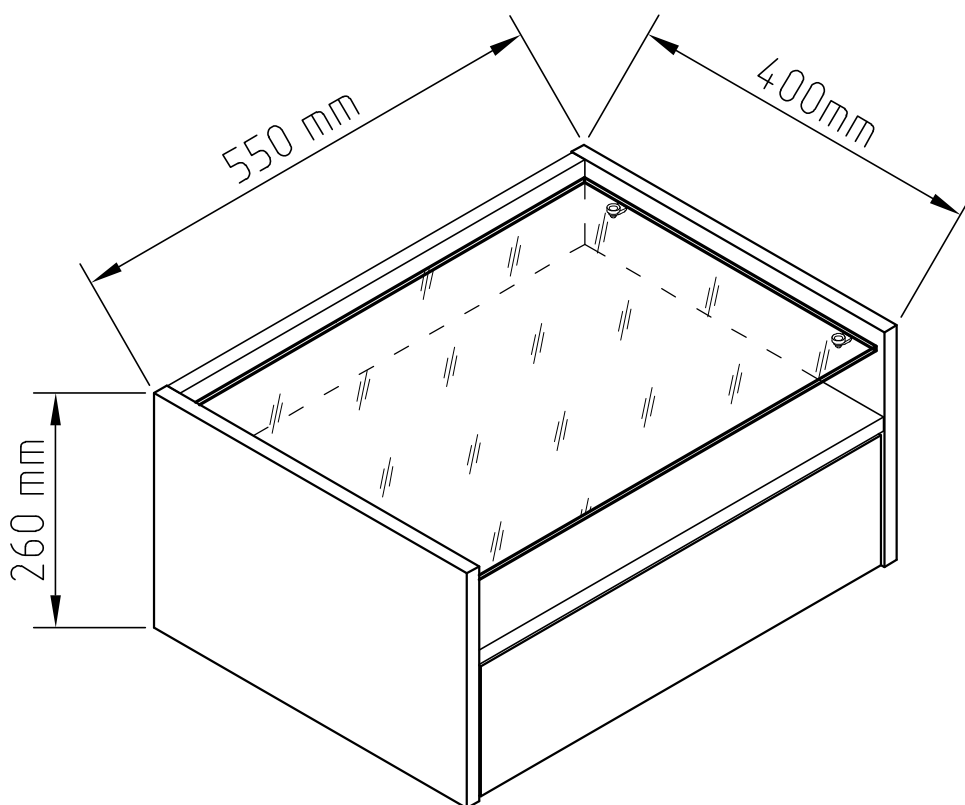
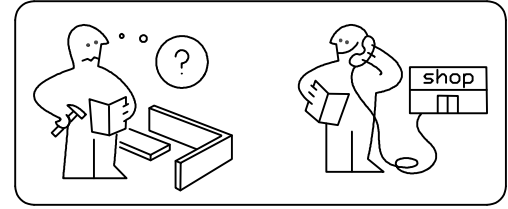
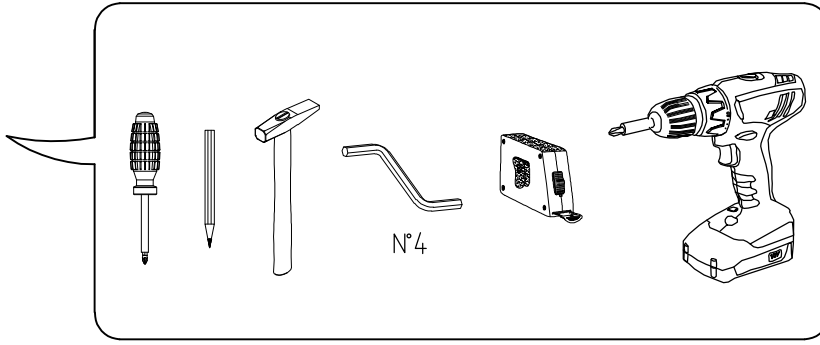
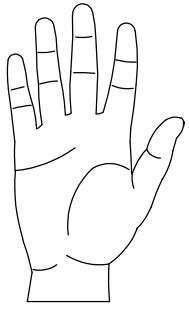


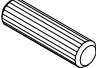

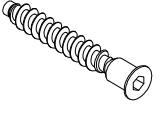
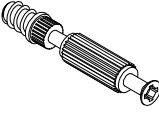

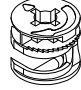
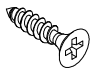
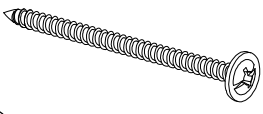


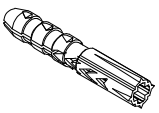

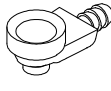
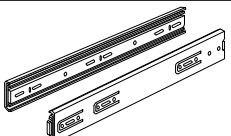
Яся / Yasya

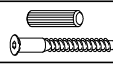
тумбочка навісна /

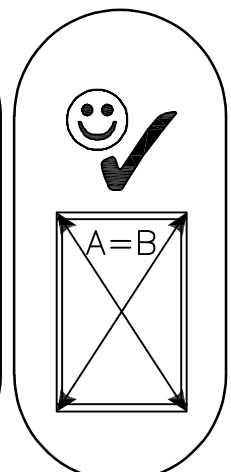
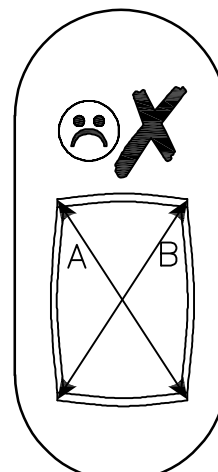
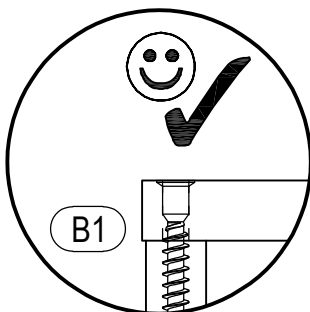
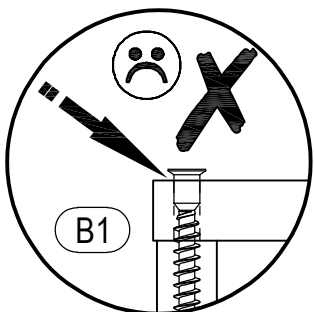
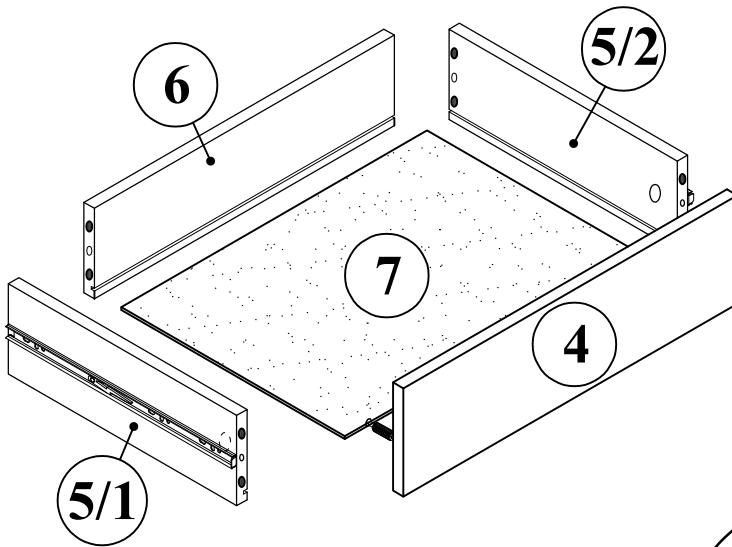
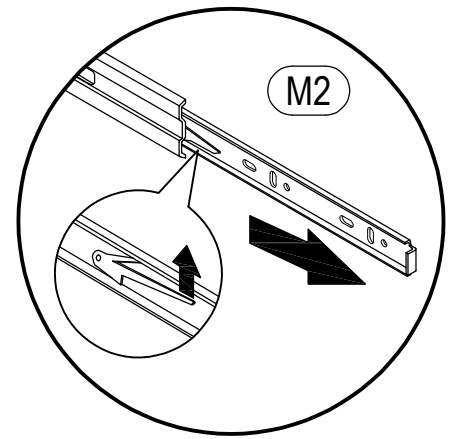
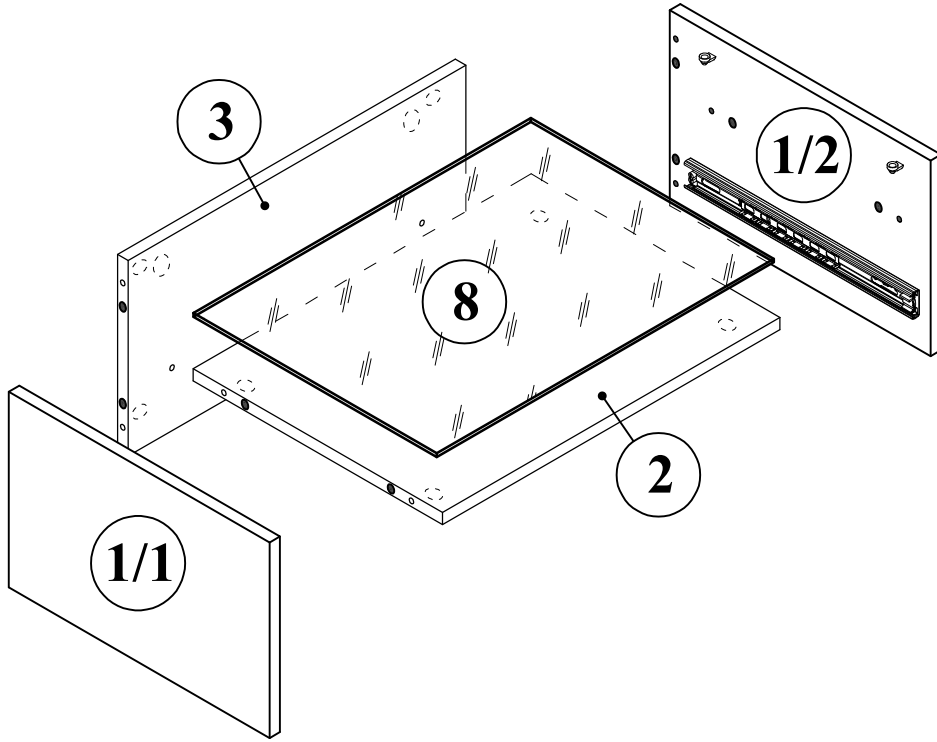
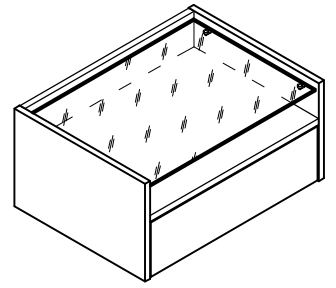
nightstand is hinged

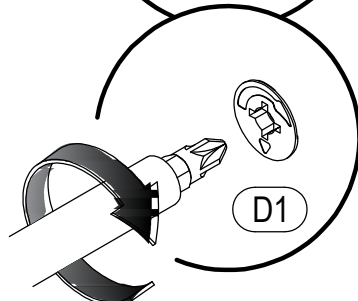
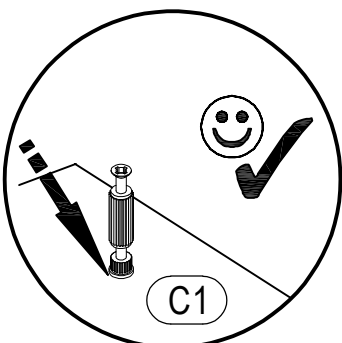
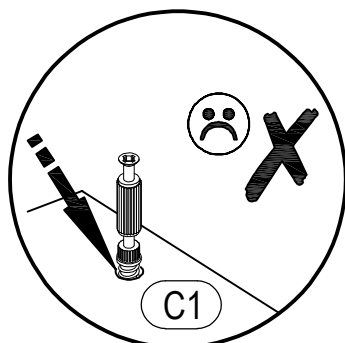
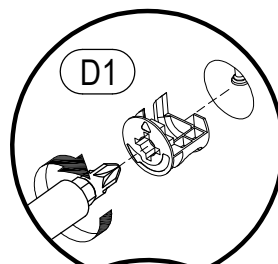
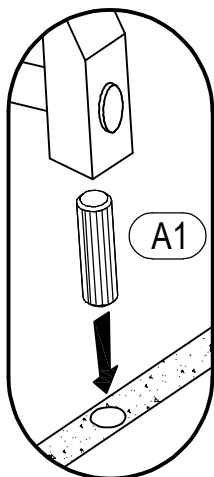
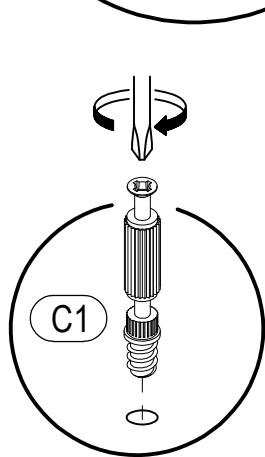
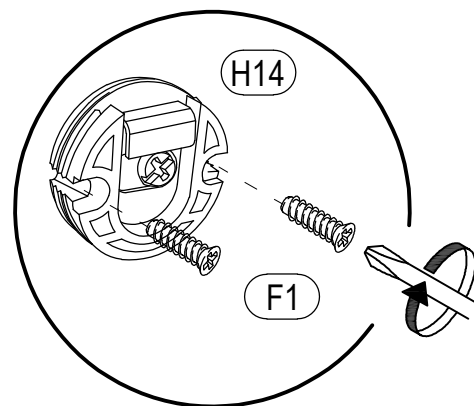
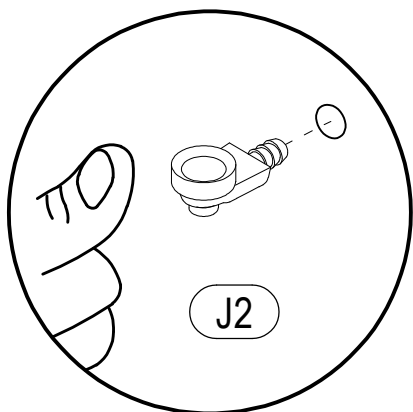
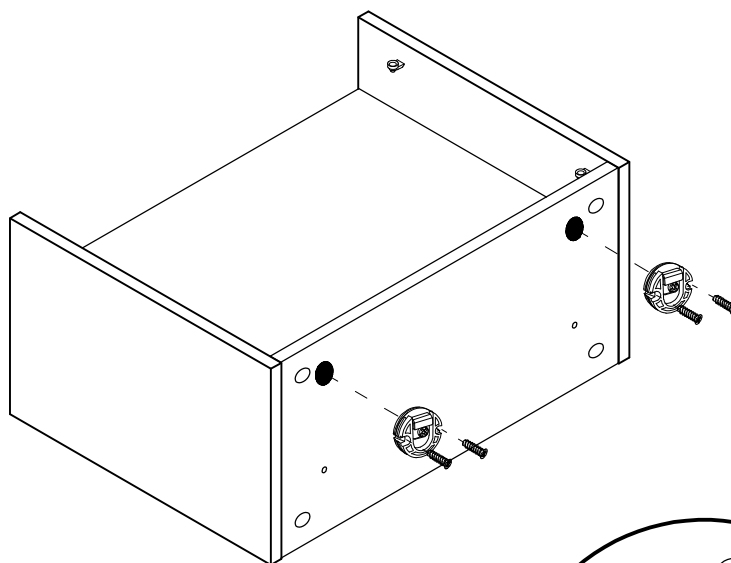
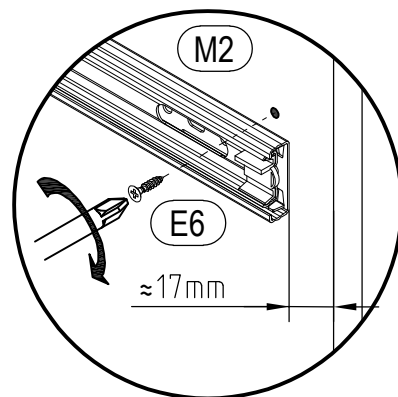
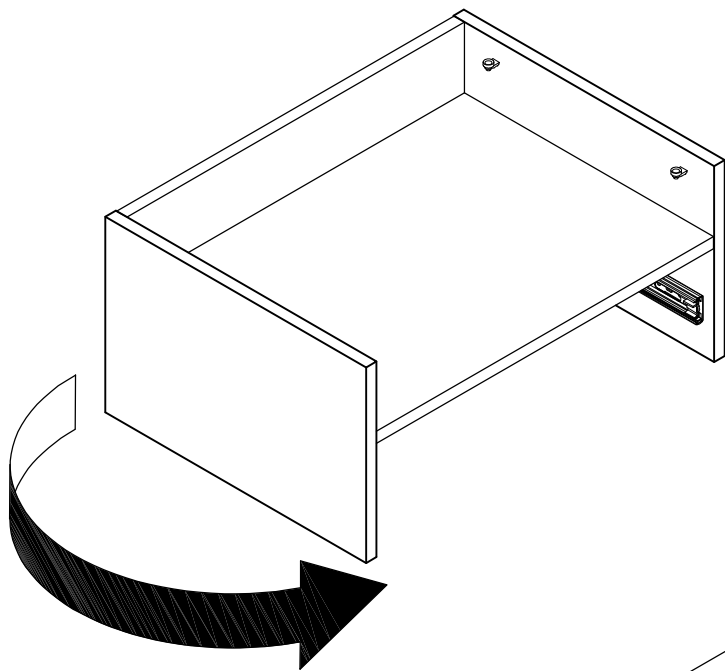


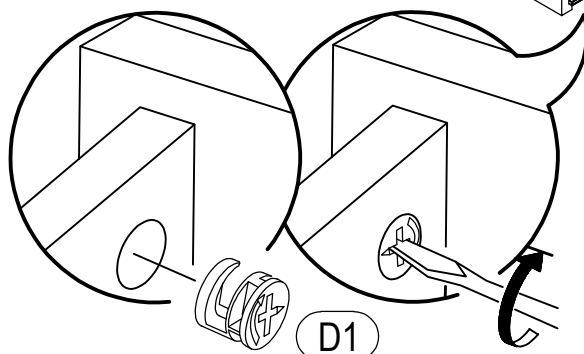
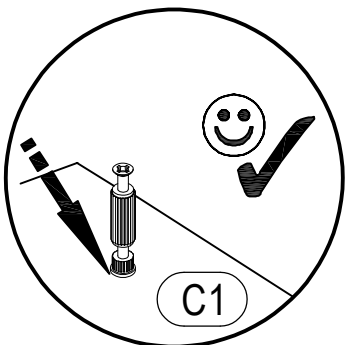
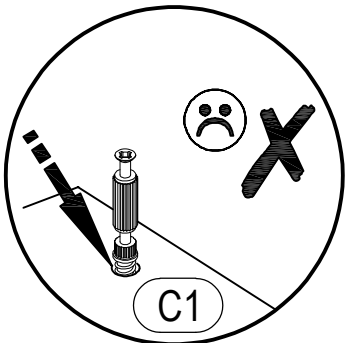
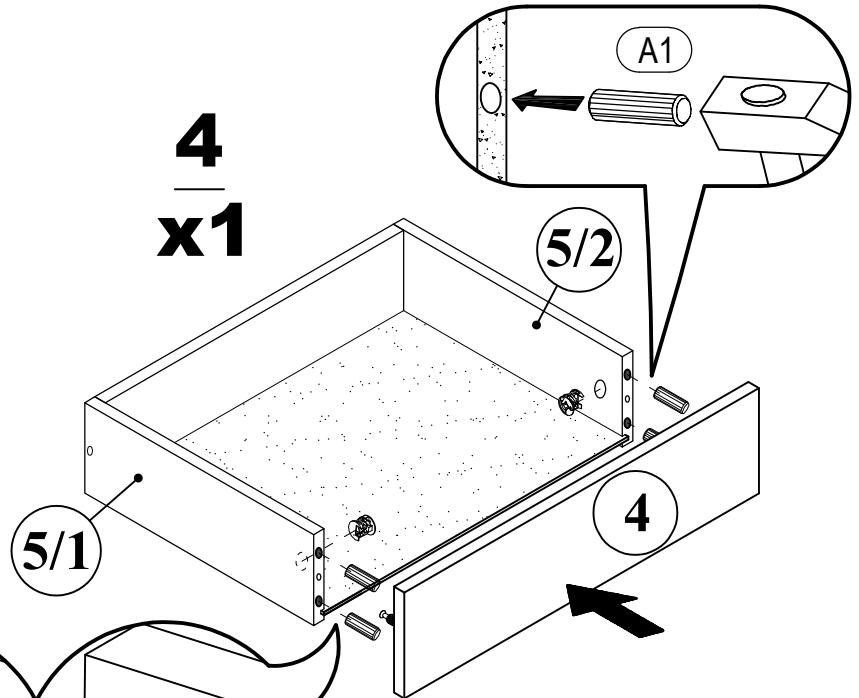
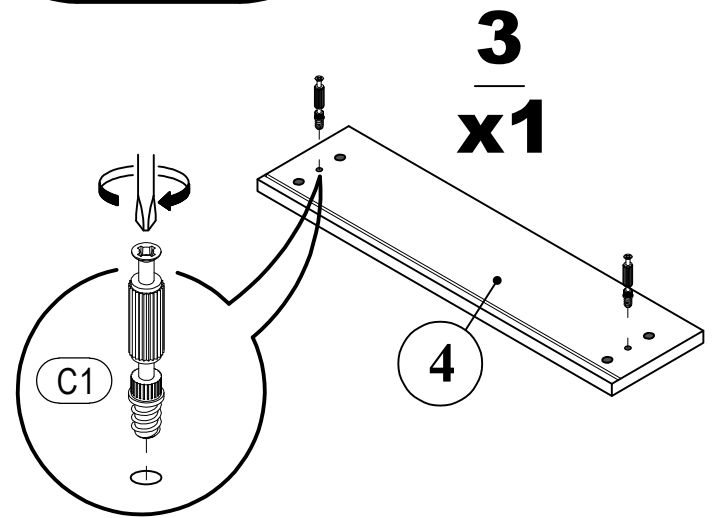
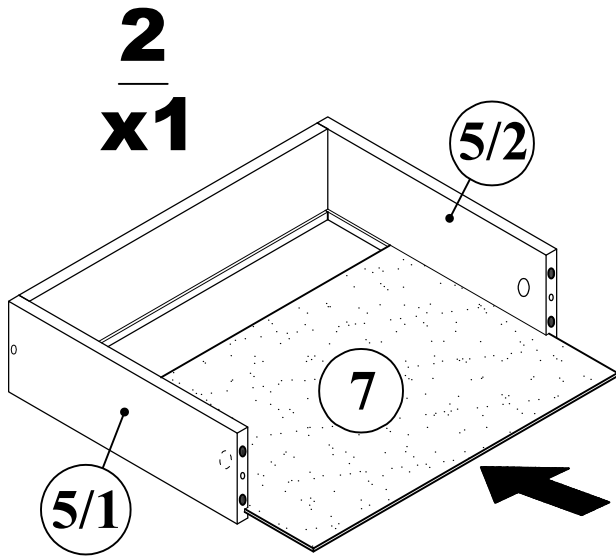
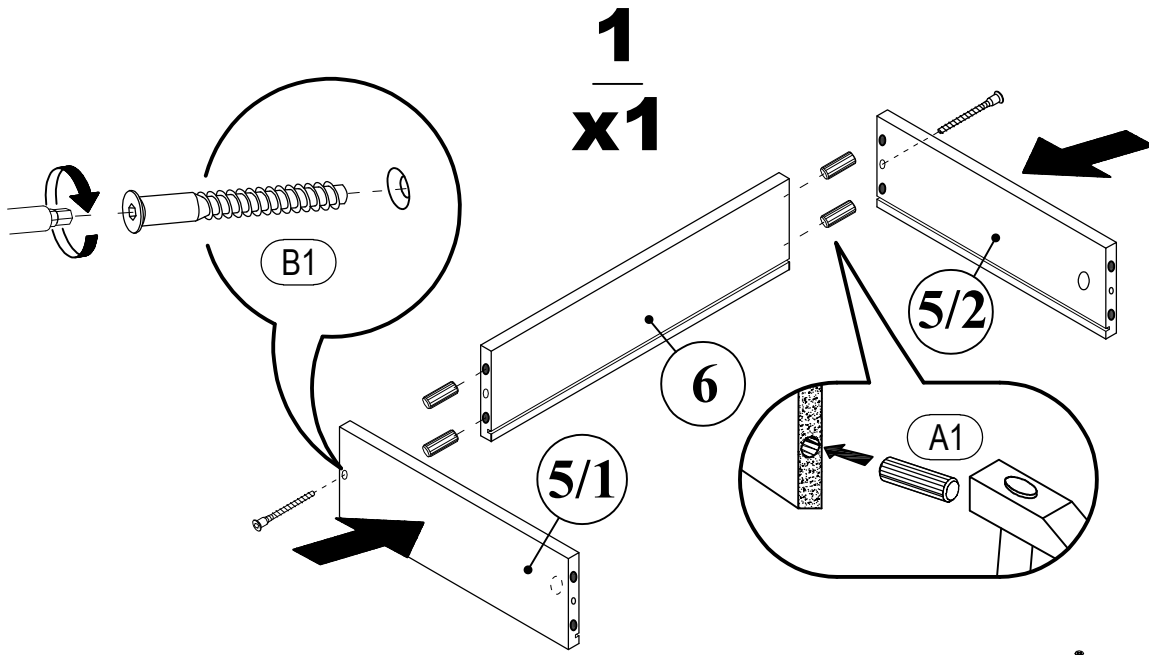


 A1 8*30mm x16	 B ϕ 12mm x2	 B1 6,3*50mm x2
 C1 6*43mm x10	 D ϕ 20mm x10	 D1 15/16 x10
 E6 3,5*16mm x8	 E-5 4,2*51mm x4	 F1 5,0*9mm x4
 H2 RV-8 x1	 H5 8*50mm x4	 H14 x2
 J2 x4	 M2 L-350mm x1	

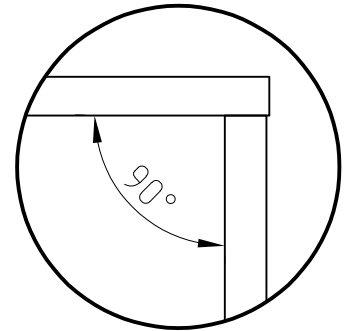
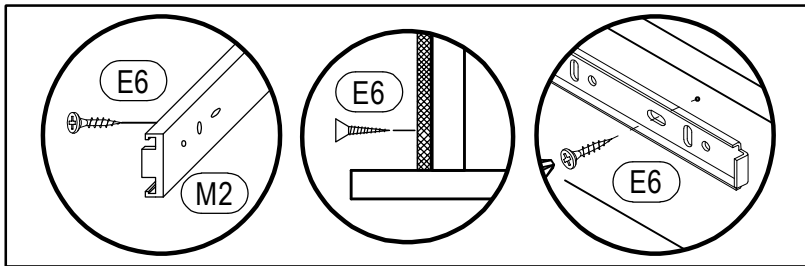
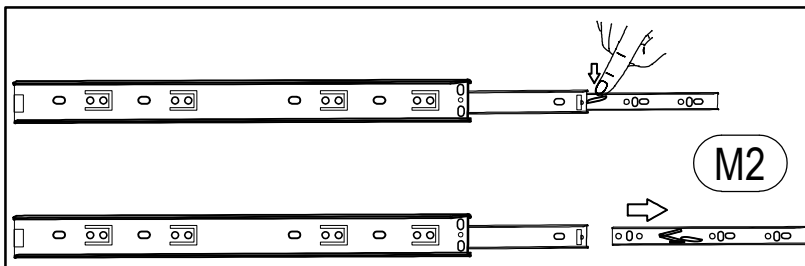
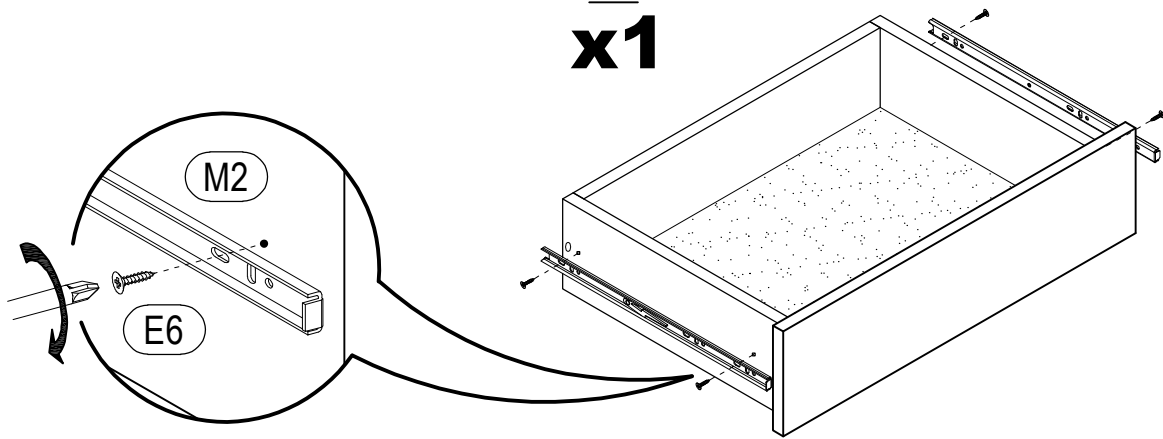
No	a*b	x	N°→...	No	a*b	x	N°→...
1/1	144x372	x1	1/1	7/1	350x120	x1	1/1
1/2	144x372	x1	1/1	7/2	350x120	x1	1/1
2	74x124	x1	1/1	8	456x120	x1	1/1
3	548x392	x1	1/1	9	465x343	x1	1/1
4	550x249	x1	1/1				
5	234x548	x1	1/1			x1	1/1
6	140x542	x1	1/1				



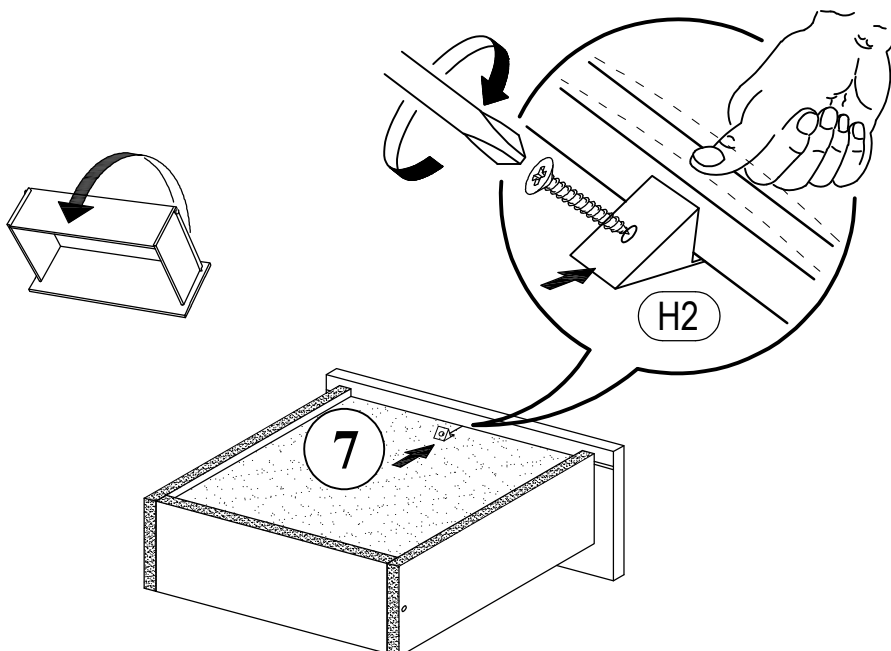
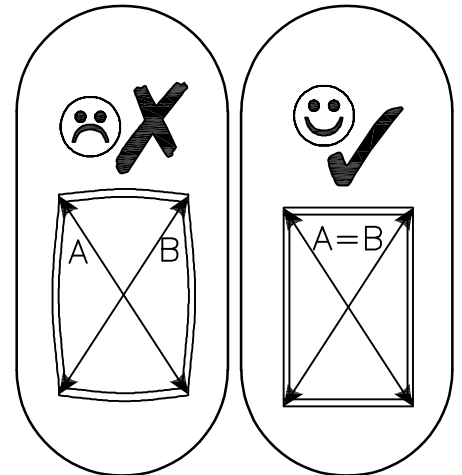




5
x1



6
x1



$a = b$



